

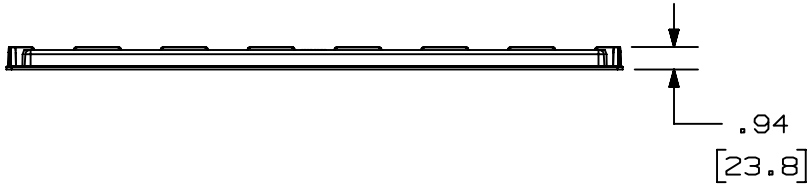
2

1

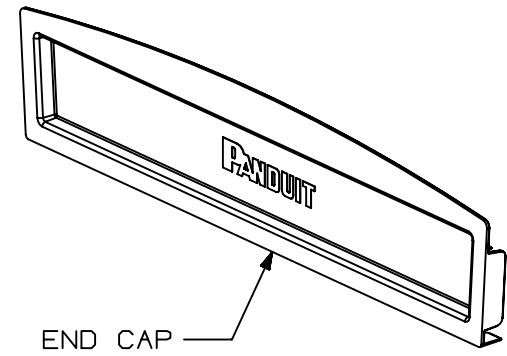
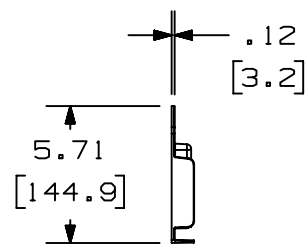
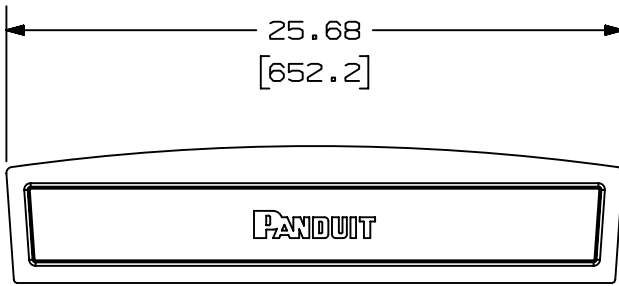
THIS COPY IS PROVIDED ON A RESTRICTED BASIS AND IS NOT TO BE USED IN ANY WAY DETRIMENTAL TO THE INTERESTS OF PANDUIT CORP.

NOTES:

- 1. SEE CURRENT CATALOG FOR ADDITIONAL PART SUFFIXES TO INDICATE COLOR AND/OR PACKAGE QUANTITY.
- 2. DIMENSIONS IN PARENTHESES ARE IN METRIC.
- 3. PARTS SUPPLIED:
(1) - END CAP



PANDUIT PART NUMBER	WEIGHT	MATERIAL
FREC24X4**	1.00 LB/EACH (454g/EACH)	ABS
FREC24X4L**	1.00 LB/EACH (454g/EACH)	PC/ABS



B

B

A

A

GLOBAL SIZE

REV	DATE	BY	CHK	APR	DESCRIPTION	ECN
00B	9/1/20	MEX-JAGC	DWR	DWR	ADDED PART NUMBER UPDATED DRAWING BORDER & TITLE BLOCK	V09002DZ/11

TITLE FIBERRUNNER 24x4 END CAP (FREC24X4**, FREC24X4L**)					
CUSTOMER DRAWING					
ITEM REVISION NAME D39701BE/03					
DATASET FILE NAME D39701BE_DC/03A					
MATERIAL: SEE PART NUMBER TABLE ABOVE			DRAWING NUMBER: 39701-16		
		THIRD ANGLE PROJECTION			
DRAWN BY MSO	DATE 10/21/08	CHK SL	SCALE NONE	SHT 1 OF 1	
					SIZE A

2

1