

8

7

6

5

4

3

2

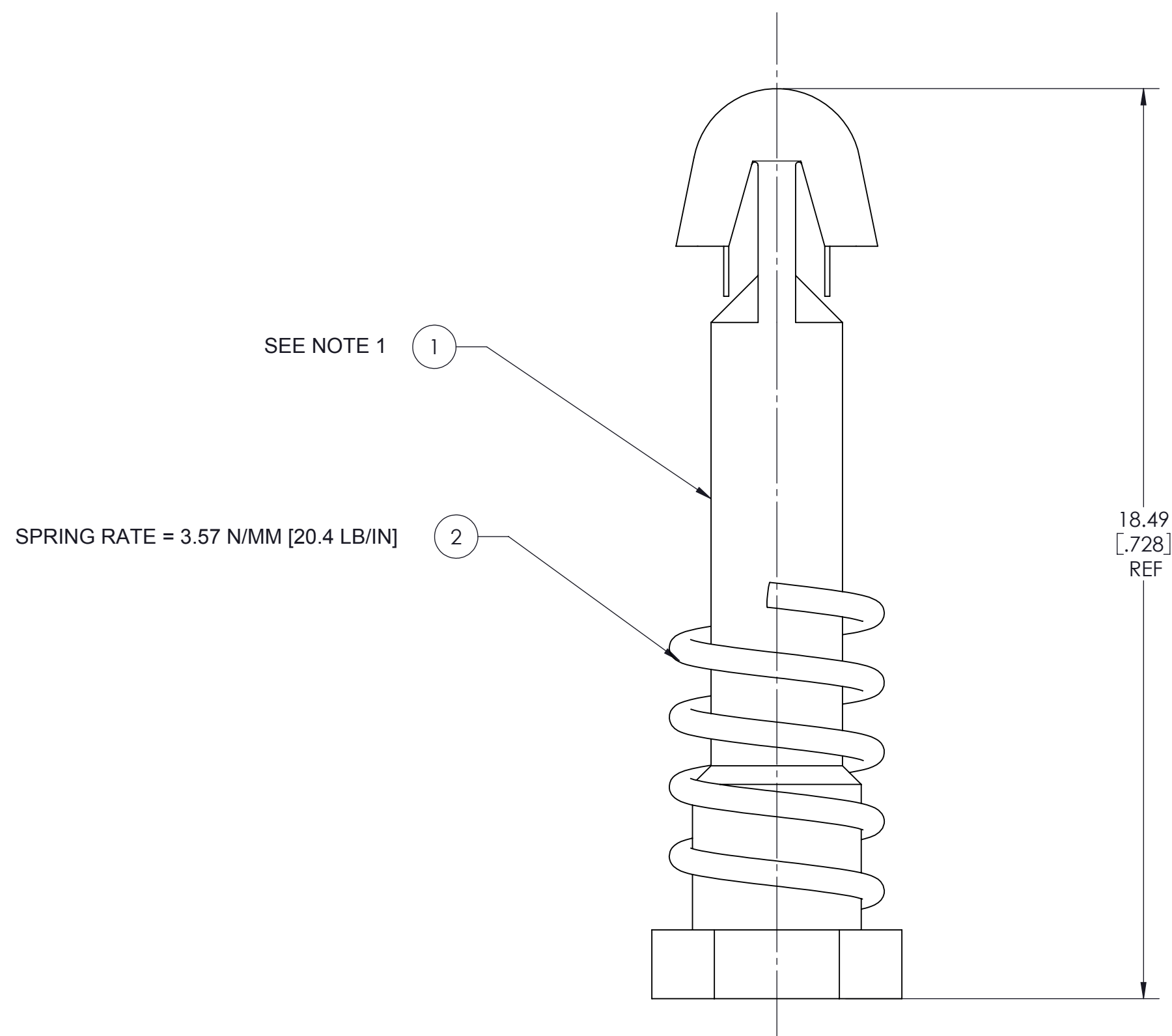
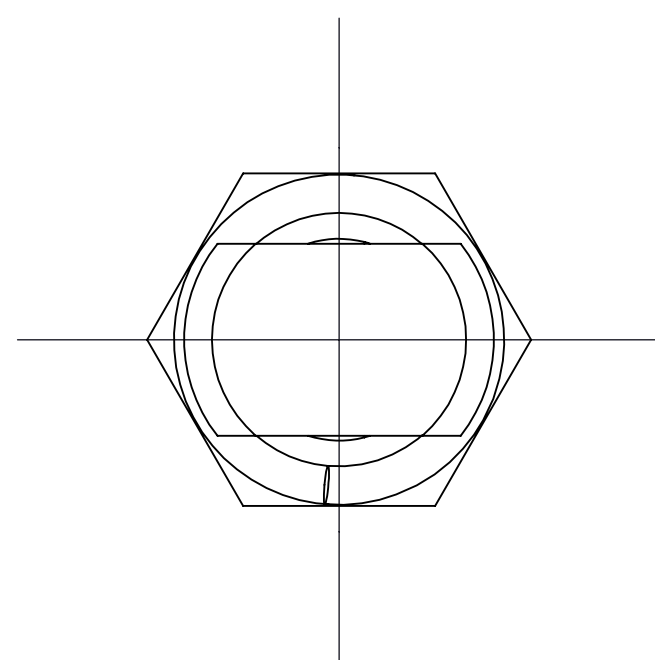
1

VICOR CONFIDENTIAL

THIS DOCUMENT AND THE DATA DISCLOSED HEREIN OR HEREWITH IS NOT TO BE REPRODUCED, USED OR DISCLOSED IN WHOLE OR IN PART TO ANYONE WITHOUT THE PERMISSION OF VICOR CORP.

REVISIONS

REV	DESCRIPTION	DATE	APPROVED
1	RELEASED PER E063757	04/03/06	RLT
2	REVISED PER E100991	08/10/10	DCS



- NOTES:
- FOR A LIST OF PARTS SEE BOM NO. 32435
  - ITEM 1 IS BLACK.
  - RoHS COMPLIANT PER CST-0001 LATEST REVISION.

DRAWN	DATE					
D. CVINAR	1/30/06					
<small>UNLESS OTHERWISE SPECIFIED DIMENSIONS ARE MM [INCH] TOLERANCES ARE:</small> <small>DECIMALS ANGLES</small> <small>X.XX [X.X] = ±0.01 [0.25] ±1°</small> <small>X.XXX [X.XX] = ±0.005 [0.127]</small>		<b>ASSY DWG BLACK PIN</b> <b>VIC JLEAD PUSH PIN (18.5 MM)</b>				
MATERIAL	FINISH	THIRD ANGLE PROJECTION	SIZE	CAGE CODE	DWG NO	REV
			<b>C</b>	<b>67131</b>	<b>32431</b>	<b>2</b>
DO NOT SCALE DRAWING			SCALE 10 : 1	SHEET 1 OF 1		

8

7

6

5

4

3

2

1