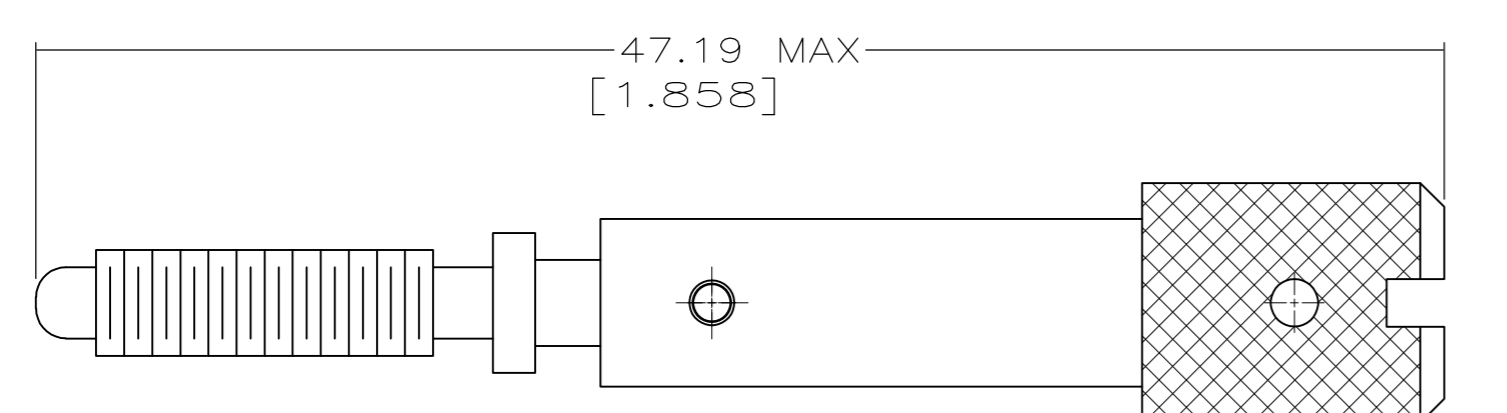
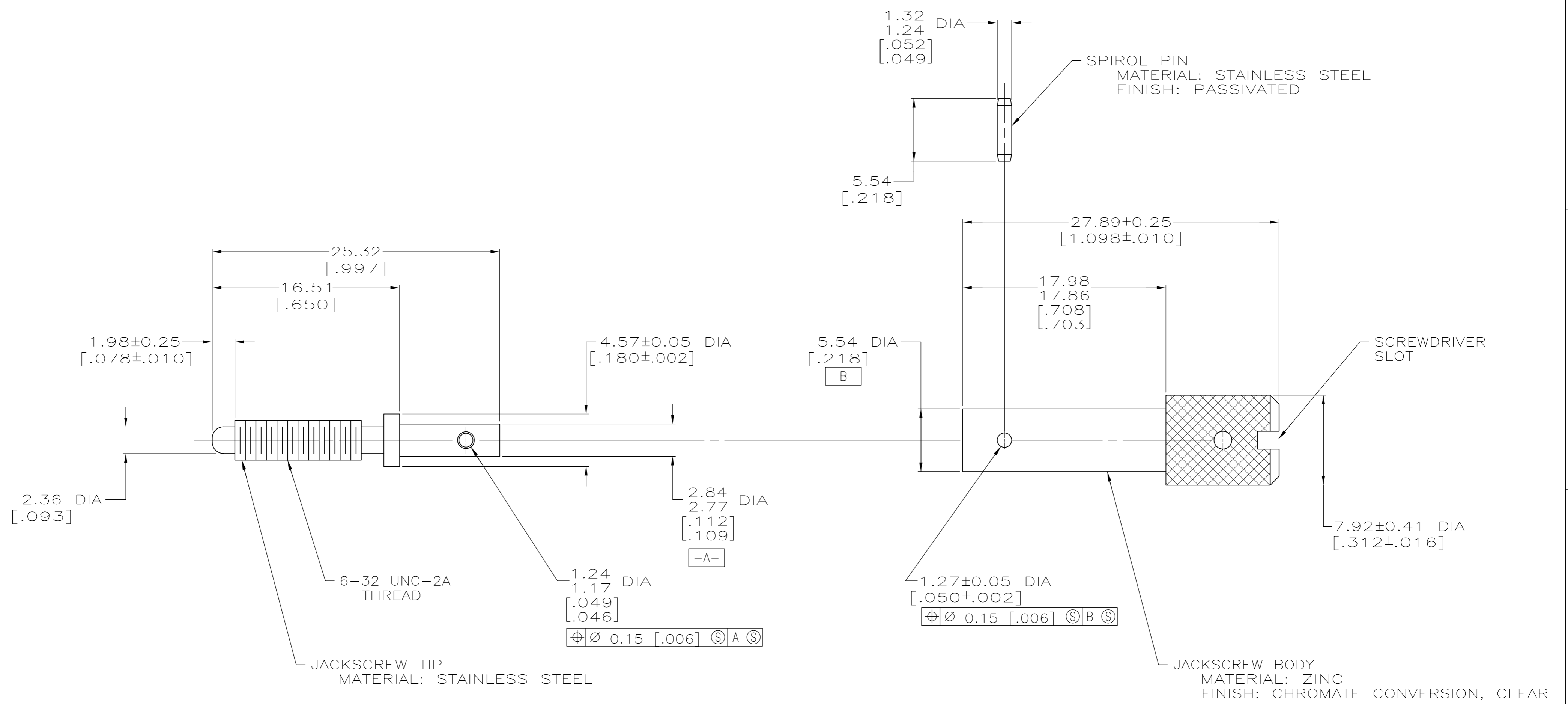


THIS DRAWING IS UNPUBLISHED. RELEASED FOR PUBLICATION  
 © COPYRIGHT - By - ALL RIGHTS RESERVED.

REVISIONS				
P	LTR	DESCRIPTION	DATE	APVD
F1		REVISED PER ECO-16-004000	08OCT2016	NK MZ



ASSEMBLED VIEW

OBSOLETE	ASSEMBLY	<del>203618-2</del>
	BULK	203618-1
	PACKAGING	PART NUMBER

THIS DRAWING IS A CONTROLLED DOCUMENT.		DWN C.DORWART 06 DEC 95	<b>STE</b> TE Connectivity
DIMENSIONS: mm [INCHES]		CHK R.STONE 15 DEC 95	
TOLERANCES UNLESS OTHERWISE SPECIFIED:		APVD G.STEINHAUER 18 JAN 96	NAME
0 PLC ± -	1 PLC ± -	PRODUCT SPEC	MALE JACKSCREW KIT, UNASSEMBLED, SHORT FOR GROUNDING CONN, M SERIES
2 PLC ± 0.13 [.005]	3 PLC ± -	APPLICATION SPEC	SIZE A2 CAGE CODE 00779 DRAWING NO C=203618 RESTRICTED TO -
4 PLC ± -	ANGLES ± -	WEIGHT	SCALE 4:1 SHEET 1 OF 1 REV F1
MATERIAL -	FINISH -	CUSTOMER DRAWING	