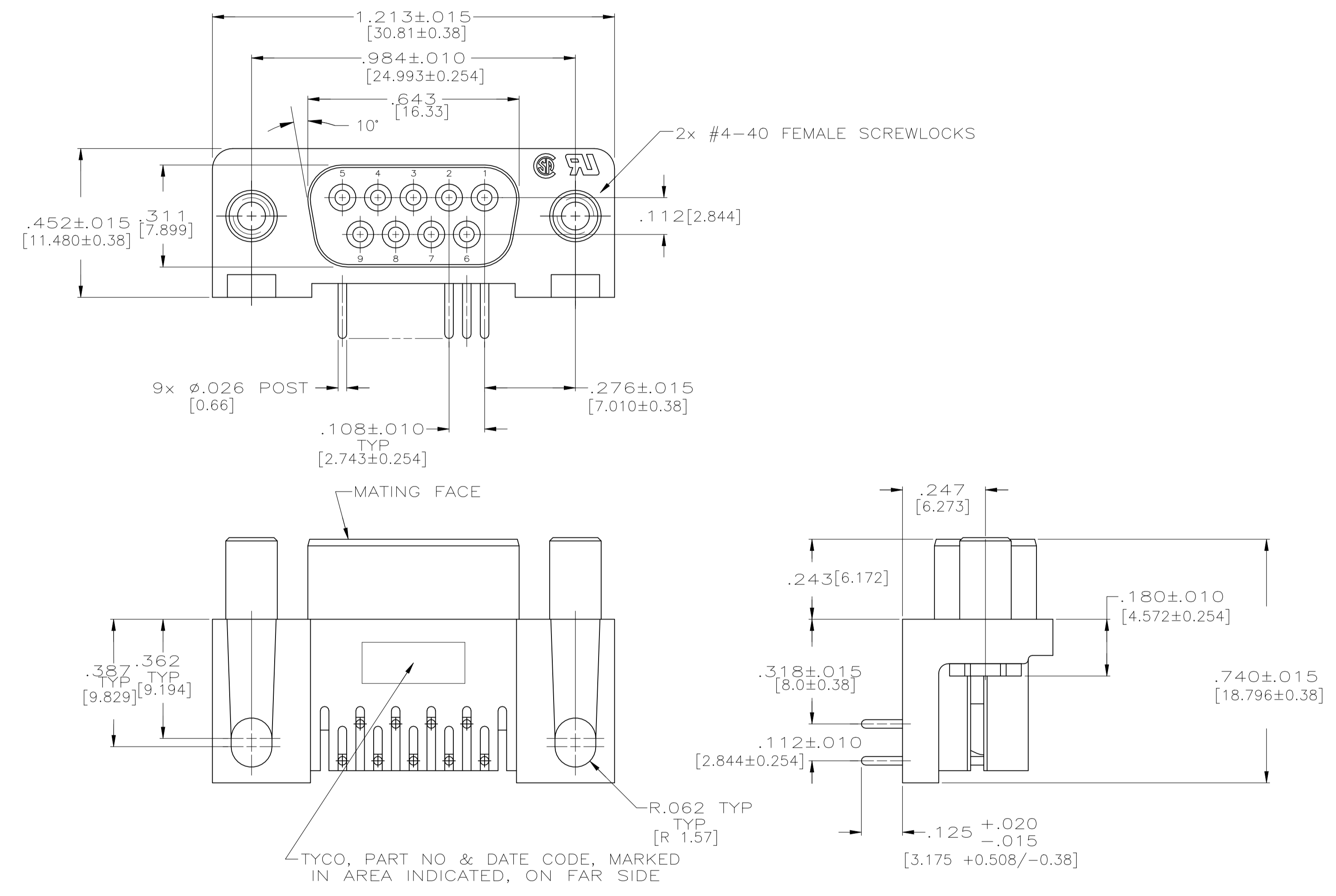
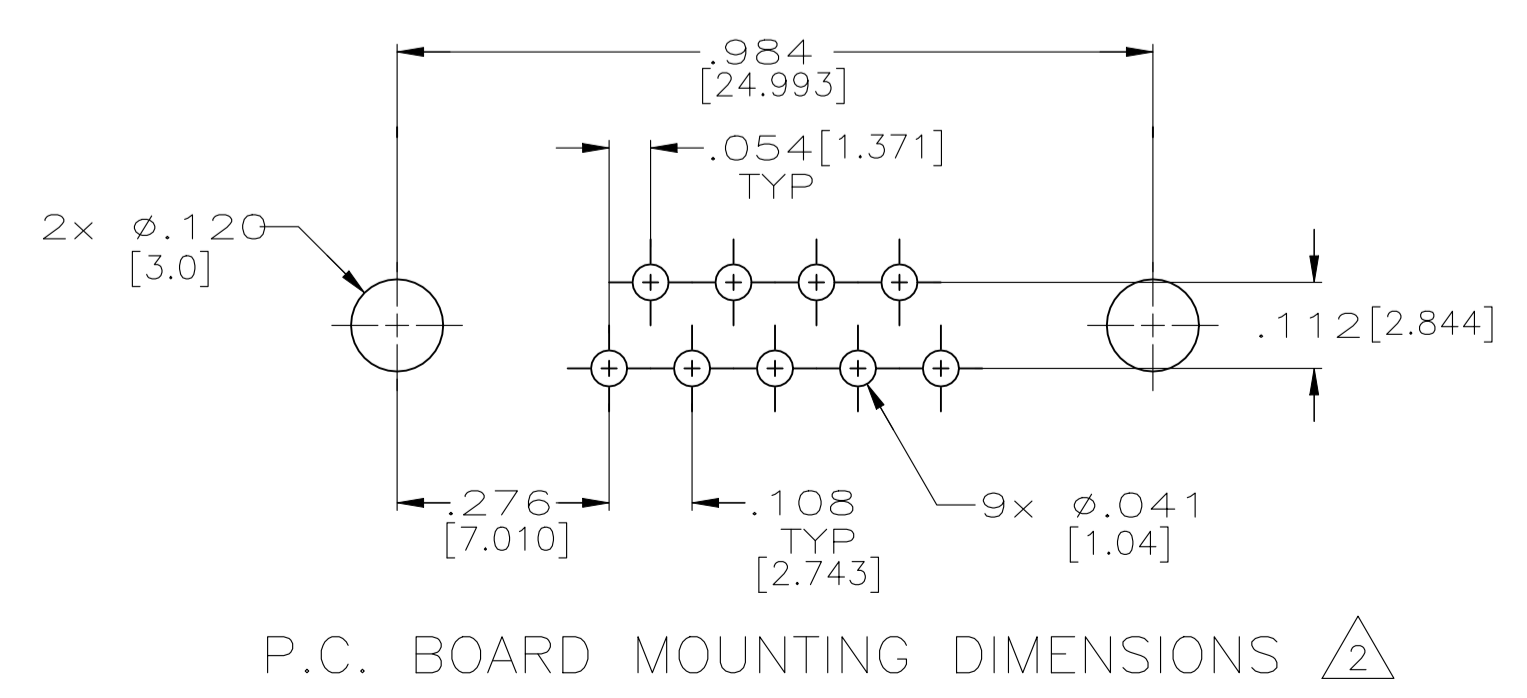


REVISIONS					
P	LTR	DESCRIPTION	DATE	DRN	APVD
P		RELEASED PER ECR-22-136081	14APR2022	RR	SZ



- ⚠ HOUSING: FLAME RETARDANT, 94V-0 RATED, GLASS FILLED NYLON OR POLYESTER, COLOR: BLACK.
CONTACTS: PHOS. BRONZE.
SCREWLOCKS: ZINC
- ⚠ REFER TO APPLICATION SPEC FOR RECOMMENDED P.C. BOARD MOUNTING DIMENSIONS FOR AUTOMATIC INSERTION.
- ⚠ CONTACTS: PLATED WITH .000030 [0.000762] MIN GOLD FOR LENGTH OF .055[1.397] MIN FROM MATING END, .000100 [0.00254] MIN TIN ON SOLDER END, ALL OVER .000050 [0.00127] MIN NICKEL ON ENTIRE CONTACT. SCREWLOCKS: CLEAR CHROMATE COATING



TUBES	5745395-3
TRAYS	5745395-2
PACKAGING	PART NUMBER

THIS DRAWING IS A CONTROLLED DOCUMENT.		DIN G. PETERS 15SEP05	TE Connectivity	
DIMENSIONS: INCHES [mm]		CHK S. BOLASH 15SEP05	NAME	
TOLERANCES UNLESS OTHERWISE SPECIFIED:		APPD M. WALMSLEY 15SEP05	PRODUCT SPEC	
0. PLC ± -		108-40025		
1. PLC ± -		APPLICATION SPEC		
2. PLC ± -		114-40015		
3. PLC ± .005		SIZE CAGE CODE DRAWING NO		
4. PLC ± -		WEIGHT 0.000000 A1 00779 C=5745395		
ANGLES ± °		CUSTOMER DRAWING SCALE 4:1 SHEET 1 of 1 REV P		