

Customer Information Sheet

DRAWING No.: G125-MH1XXM3-XXAD000P

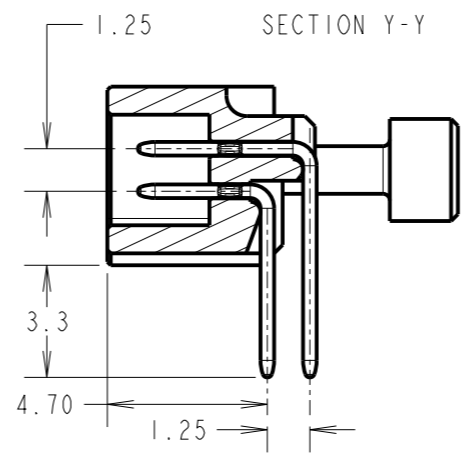
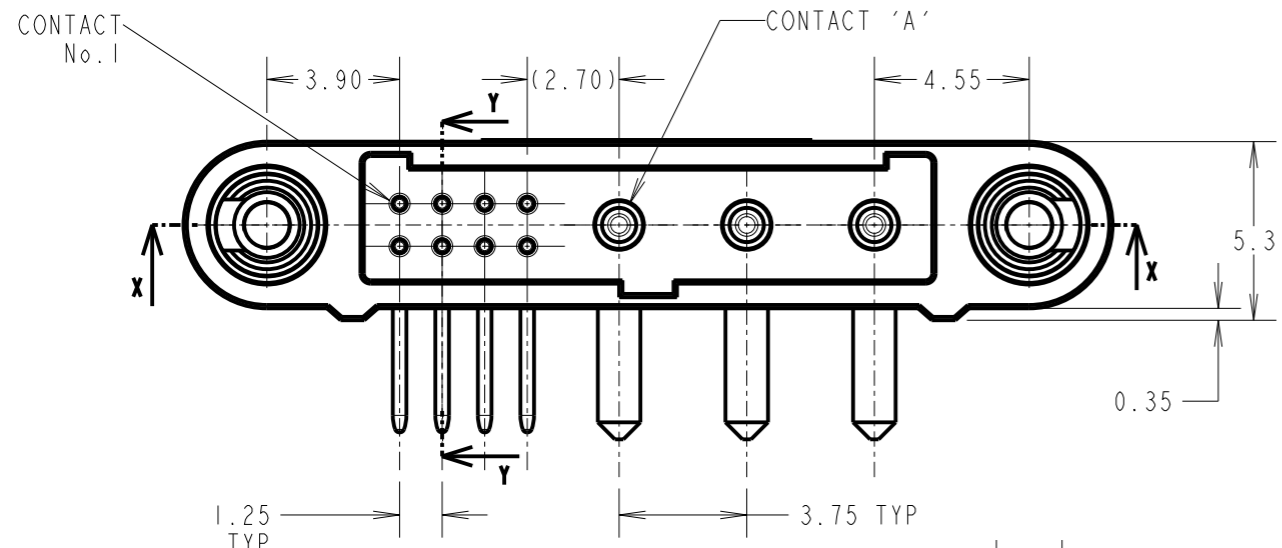
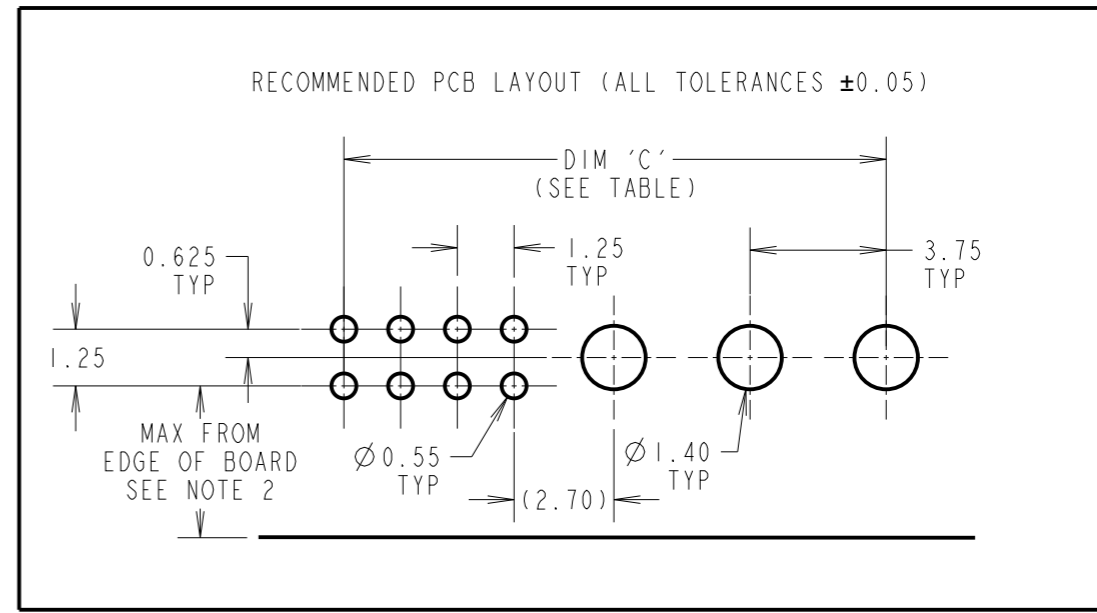
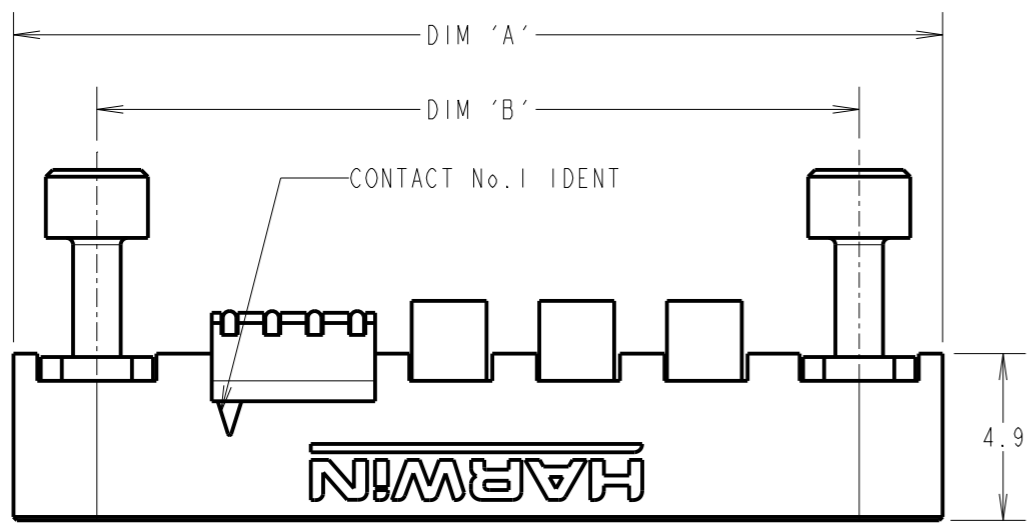
IF IN DOUBT - ASK

©

NOT TO SCALE

THIRD ANGLE PROJECTION

ALL DIMENSIONS IN mm



ORDER CODE:
G125-MH1XXM3-XXAD000P
 No. OF SIGNAL CONTACTS: []
 No. OF POWER CONTACTS: []
 SEE TABLE 2

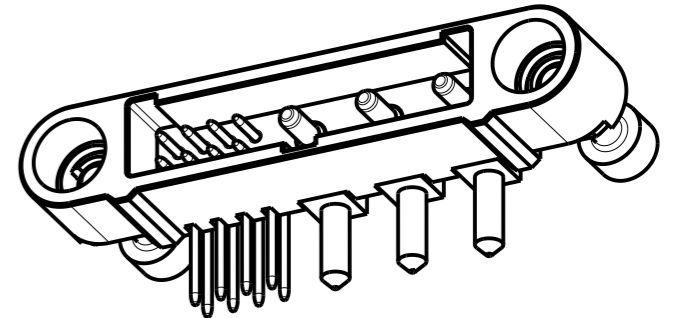
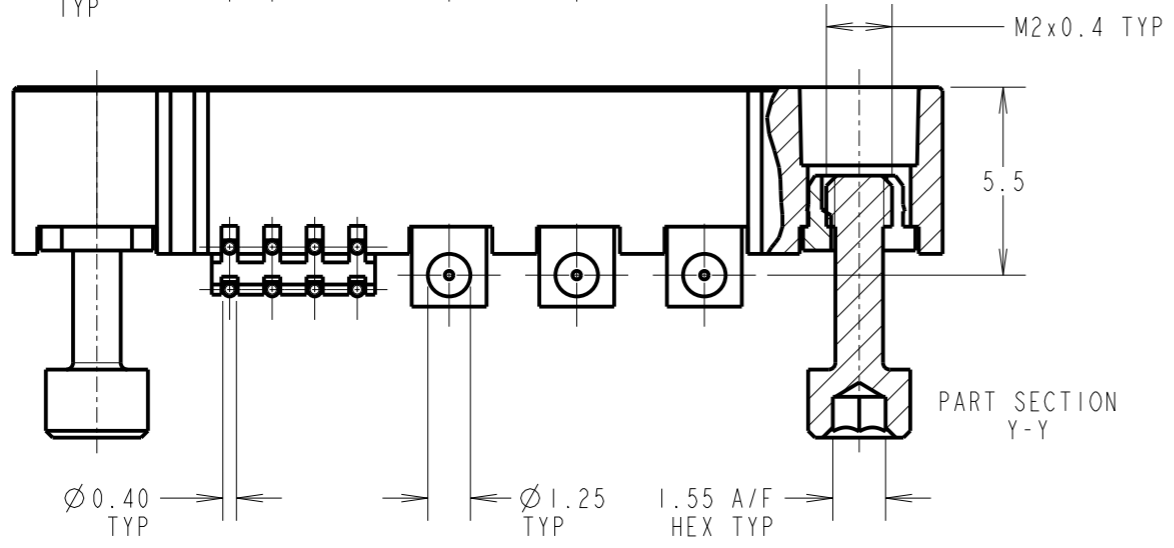


TABLE 1: DIMENSION CALCULATIONS	
DIMENSION	CALCULATION
DIM 'A'	$((\text{TOTAL No. OF SIGNAL CONTACTS} - 2) \times 0.625) + ((\text{TOTAL No. OF POWER CONTACTS} - 1) \times 3.75) + 16.05$
DIM 'B'	$((\text{TOTAL No. OF SIGNAL CONTACTS} - 2) \times 0.625) + ((\text{TOTAL No. OF POWER CONTACTS} - 1) \times 3.75) + 11.15$
DIM 'C'	$((\text{TOTAL No. OF SIGNAL CONTACTS} - 2) \times 0.625) + ((\text{TOTAL No. OF POWER CONTACTS} - 1) \times 3.75) + 2.70$

RTP	1	26.10.22	31971
NAME	ISS.	DATE	CN/CO
APPROVED: M. RUDKIN			
CHECKED: A. BOXALL			
DRAWN: R. PORTLOCK			
CUSTOMER REF.:			
ASSEMBLY DRG:			

- NOTES:
- FOR MATERIALS, FINISH AND PERFORMANCE SEE COMPONENT SPECIFICATION C125XX (LATEST ISSUE).
 - MAX DISTANCE OF NEARSIDE CONTACTS TO BOARD EDGE WHEN MATED WITH:
 - UNSHIELDED CABLE: 4.90mm
 - SHIELDED CABLE: 2.75mm
 - DRAWING SHOWS PART G125-MH108M3-03AD000P

HARWIN
 www.harwin.com
 technical@harwin.com

THIS DRAWING AND ANY INFORMATION OR DESCRIPTIVE MATTER SET OUT HEREON ARE CONFIDENTIAL AND COPYRIGHT PROPERTY OF THE HARWIN GROUP AND MUST NOT BE DISCLOSED, LOANED, COPIED OR USED FOR MANUFACTURING, TENDERING OR FOR ANY OTHER PURPOSE WITHOUT THEIR WRITTEN PERMISSION.

TOLERANCES
 X. = ± 1 mm
 X.X = ± 0.50 mm
 X.XX = ± 0.20 mm
 X.XXX = ± 0.01 mm
 ANGLES = $\pm 5^\circ$
 UNLESS STATED

MATERIAL: SEE NOTE 1
 FINISH: SEE NOTE 1
 S/AREA: mm²

TITLE: GECKO-MT MALE HORIZONTAL PC TAIL CONNECTOR
 DRAWING NUMBER: **G125-MH1XXM3-XXAD000P**
 SHT 3 OF 4

Customer Information Sheet

DRAWING No.: G125-MHIXXM3-XXAD000P

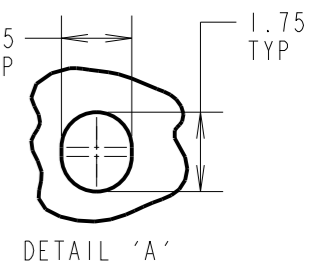
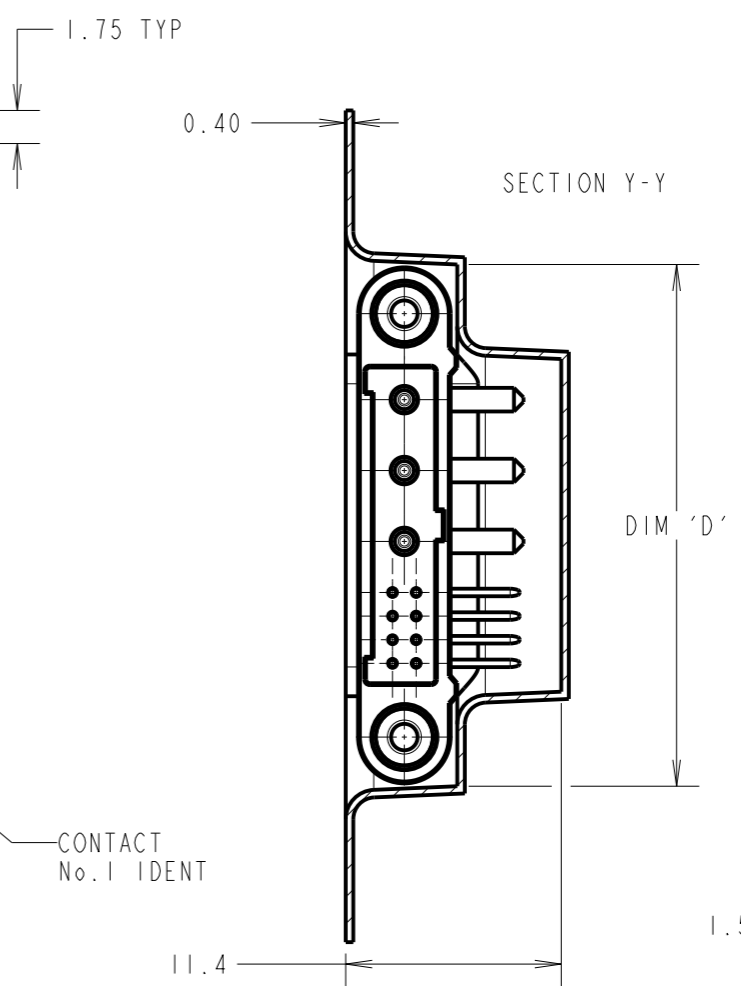
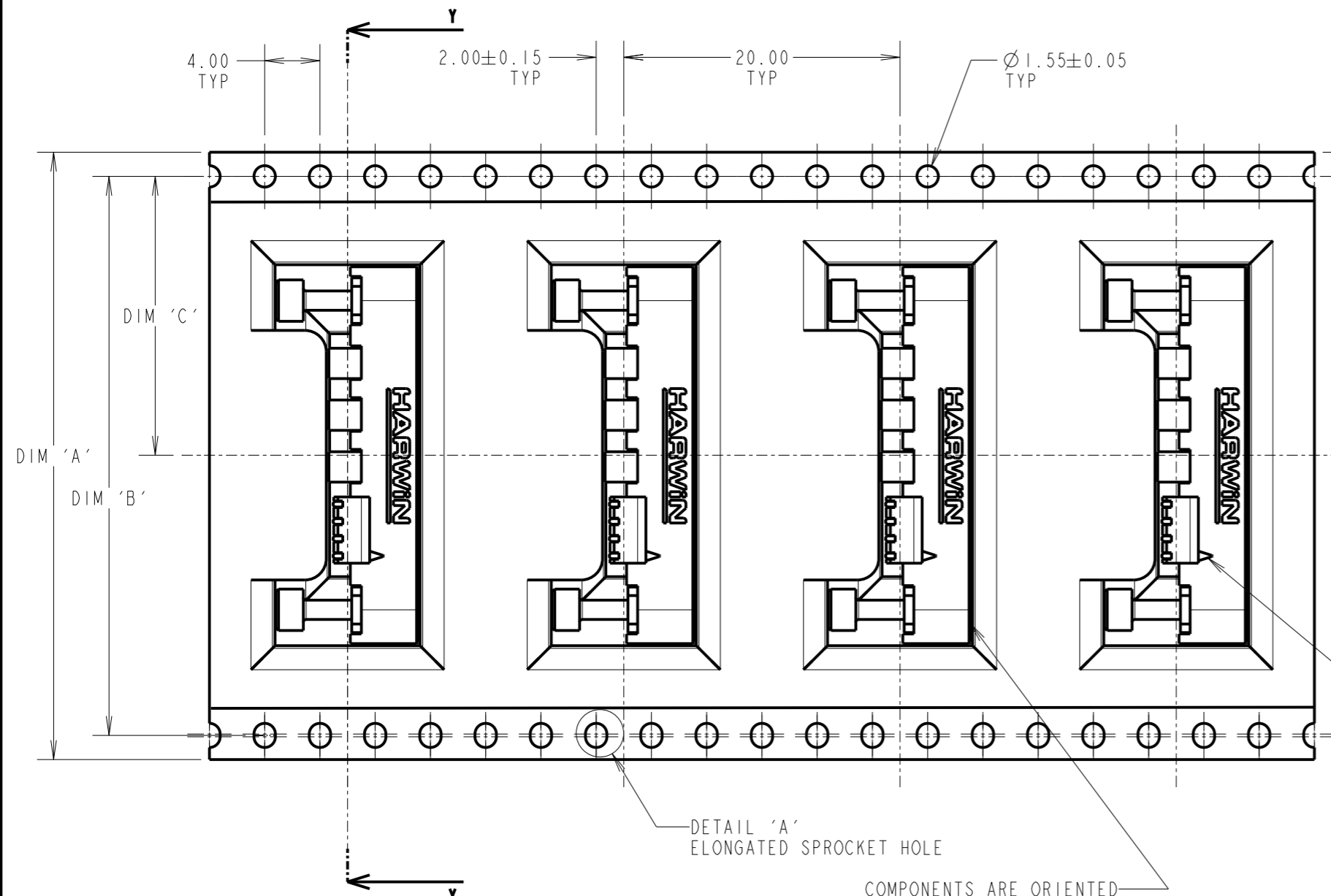
IF IN DOUBT - ASK

©

NOT TO SCALE

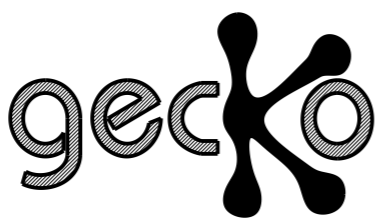
THIRD ANGLE PROJECTION

ALL DIMENSIONS IN mm



COMPONENTS ARE ORIENTED IN POCKETS SO THAT MATING FACES ARE NEAREST THE FREE END.

ORDER CODE:
G125-MHIXXM3-XXAD000P
 No. OF SIGNAL CONTACTS: [] No. OF POWER CONTACTS: []
 SEE TABLE 2 SEE TABLE 2



TAPE STRIP DETAILS ONLY, SEE SHEET 3 FOR CONNECTOR AND PCB LAYOUT DETAILS

TABLE 2: AVAILABLE VARIANTS

ASSEMBLY PART No.	DIM 'A'	DIM 'B'	DIM 'C'	DIM 'D'	No. OF SIGNAL CONTACTS	No. OF POWER CONTACTS
G125-MH104M3-02AD000P	44.00	40.40	20.20	21.50	04	02
G125-MH108M3-03AD000P				27.60	08	03
G125-MH104M3-04AD000P				29.00	04	04
G125-MH124M3-02AD000P	56.00	52.40	26.20	34.00	24	02
G125-MH116M3-04AD000P				36.50	16	04
G125-MH108M3-06AD000P				39.00	08	06

RTP	1	26.10.22	31971
NAME	ISS.	DATE	CN/CO
APPROVED: M.RUDKIN			
CHECKED: A.BOXALL			
DRAWN: R.PORTLOCK			
CUSTOMER REF.:			
ASSEMBLY DRG:			

NOTES:

- COMPONENTS ARE ORIENTED IN TAPE POCKETS AS SHOWN.
- COMPONENTS ARE SUPPLIED IN STRIPS OF TAPE. SUPPLIED QUANTITY MAY CONSIST OF MORE THAN ONE STRIP, STRIP LENGTH MAY VARY.

HARWIN
 www.harwin.com
 technical@harwin.com

THIS DRAWING AND ANY INFORMATION OR DESCRIPTIVE MATTER SET OUT HEREON ARE CONFIDENTIAL AND COPYRIGHT PROPERTY OF THE HARWIN GROUP AND MUST NOT BE DISCLOSED, LOANED, COPIED OR USED FOR MANUFACTURING, TENDERING OR FOR ANY OTHER PURPOSE WITHOUT THEIR WRITTEN PERMISSION.

TOLERANCES
 X. = ±1mm
 X.X = ±0.50mm
 X.XX = ±0.20mm
 X.XXX = ±0.01mm
 ANGLES = ±5°
 UNLESS STATED

MATERIAL:
 SEE SHEET 3
 FINISH: SEE SHEET 3
 S/AREA: mm²

TITLE:
 GECKO-MT MALE HORIZONTAL PC TAIL CONNECTOR
 DRAWING NUMBER:
G125-MHIXXM3-XXAD000P 4 OF 4