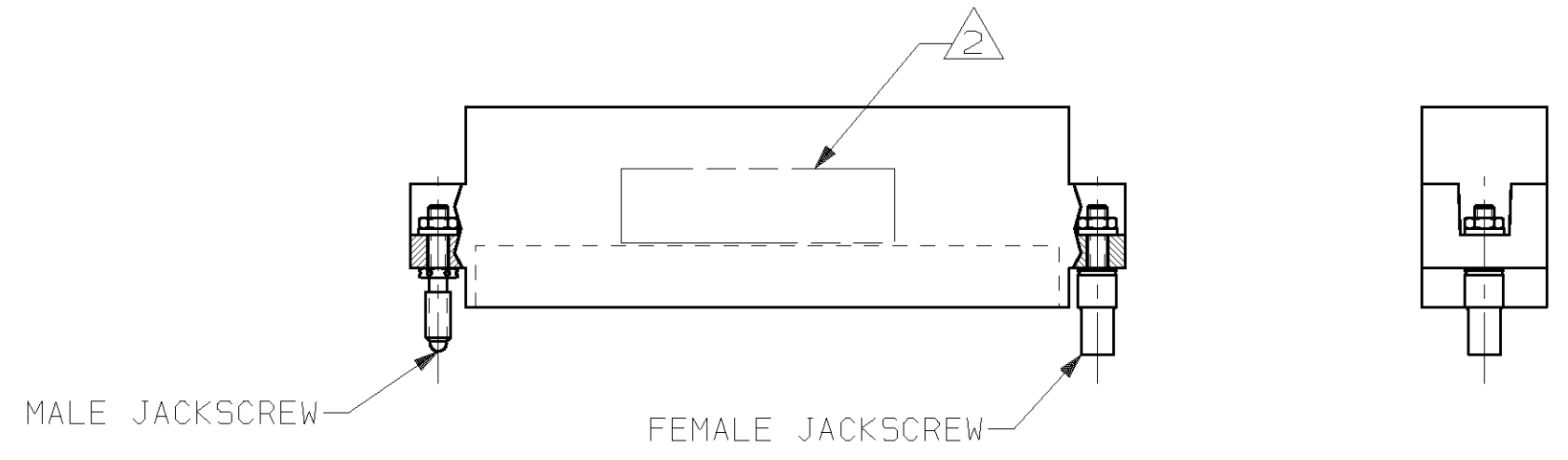
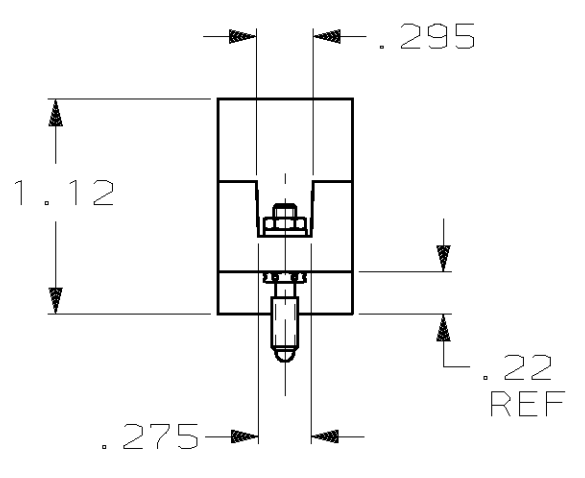
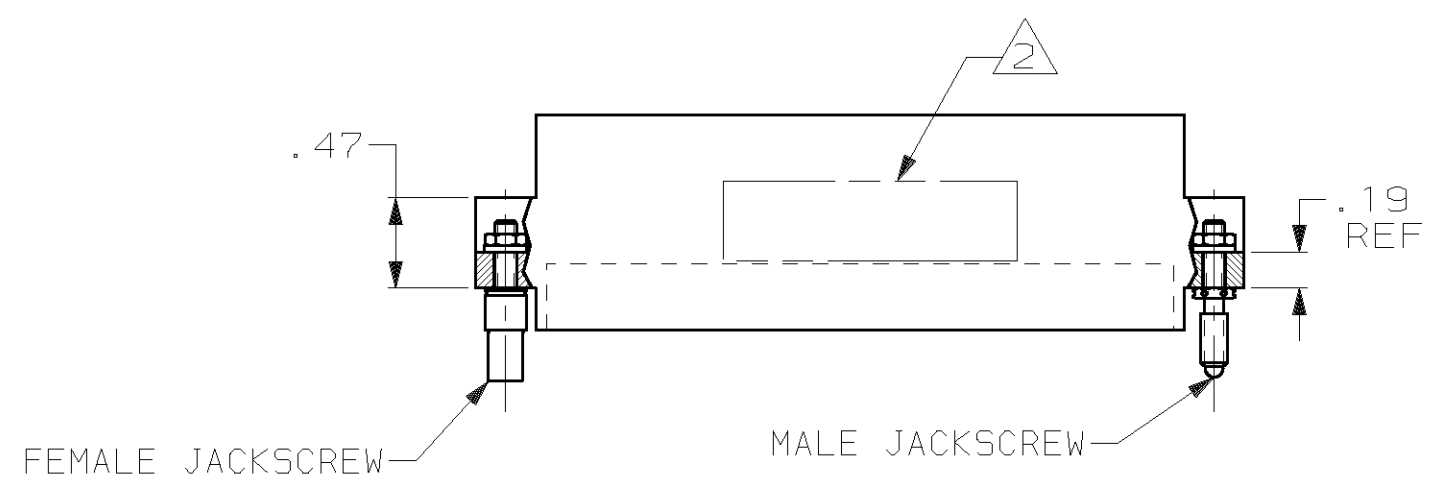
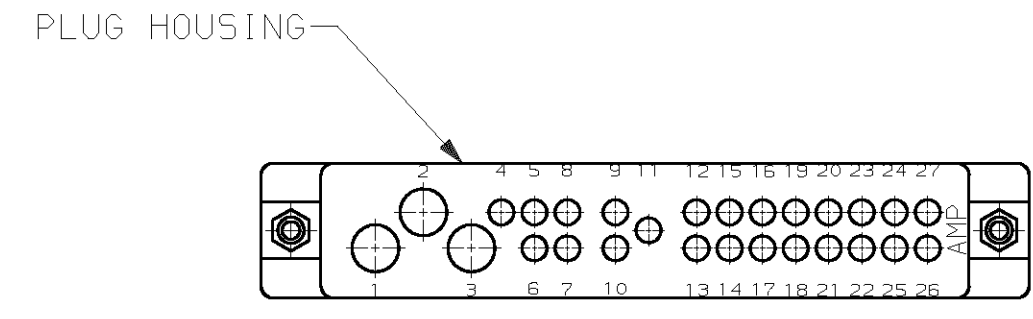
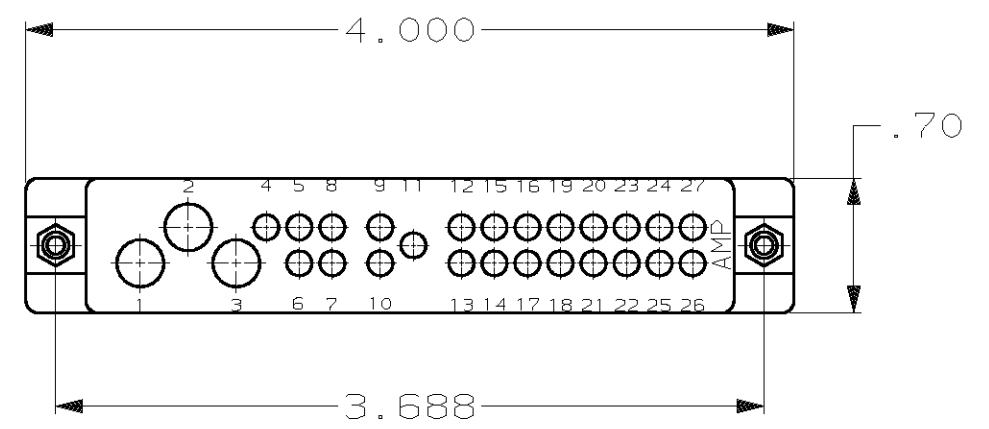


THIS DRAWING IS UNPUBLISHED. RELEASED FOR PUBLICATION  
 (C) COPYRIGHT 19 BY AMP INCORPORATED. ALL RIGHTS RESERVED.

LOC	DIST	REVISIONS			
P	LTR	DESCRIPTION	DATE	DWN	APVD
DF	SO	F	REV PER 063D-0374-01	12-02	CT DE



858575-4 ONLY

858575-5 ONLY

- DIMENSIONS SHOWN FOR 858575-4 ALSO APPLY FOR 858575-5.
- AMP INFORMATION MARKED IN THIS AREA.
- CONTACTS ARE NOT SUPPLIED WITH EITHER CONNECTOR.
- CONNECTOR IS SUPPLIED WITH 6 "O"-RINGS. AFTER INSERTING CONTACTS IN THE CONNECTOR; CUSTOMER MUST INSTALL (2) "O"-RINGS OVER EACH PIN, ON INTERFACE SURFACE, AT POSITIONS #9,10 & 11.
- 858575-1, -2 & -3 ARE OBSOLETE.

THIS DRAWING IS A CONTROLLED DOCUMENT.		DWN C.C.THOMAS 7-26-01	AMP TYCO Electronics Corporation Harrisburg, PA 17105-3608	
DIMENSIONS: INCHES		CHK D.EABY 7-26-01	NAME D.EABY	
TOLERANCES UNLESS OTHERWISE SPECIFIED:		APVD D.EABY 7-26-01	PRODUCT SPEC	
0 PLC ±-		APPLICATION SPEC		
1 PLC ±-		WEIGHT		
2 PLC ±.04		SCALE 1:1 SHEET 1 OF 1 REV F		
3 PLC ±.005		CUSTOMER DRAWING		
4 PLC ±-		SIZE CAGE CODE DRAWING NO RESTRICTED TO		
ANGLES ±-		A2 00779 C- 858575		
FINISH -		DRAWING NO		
MATERIAL MOLDED GLASS EPOXY		DRAWING NO		