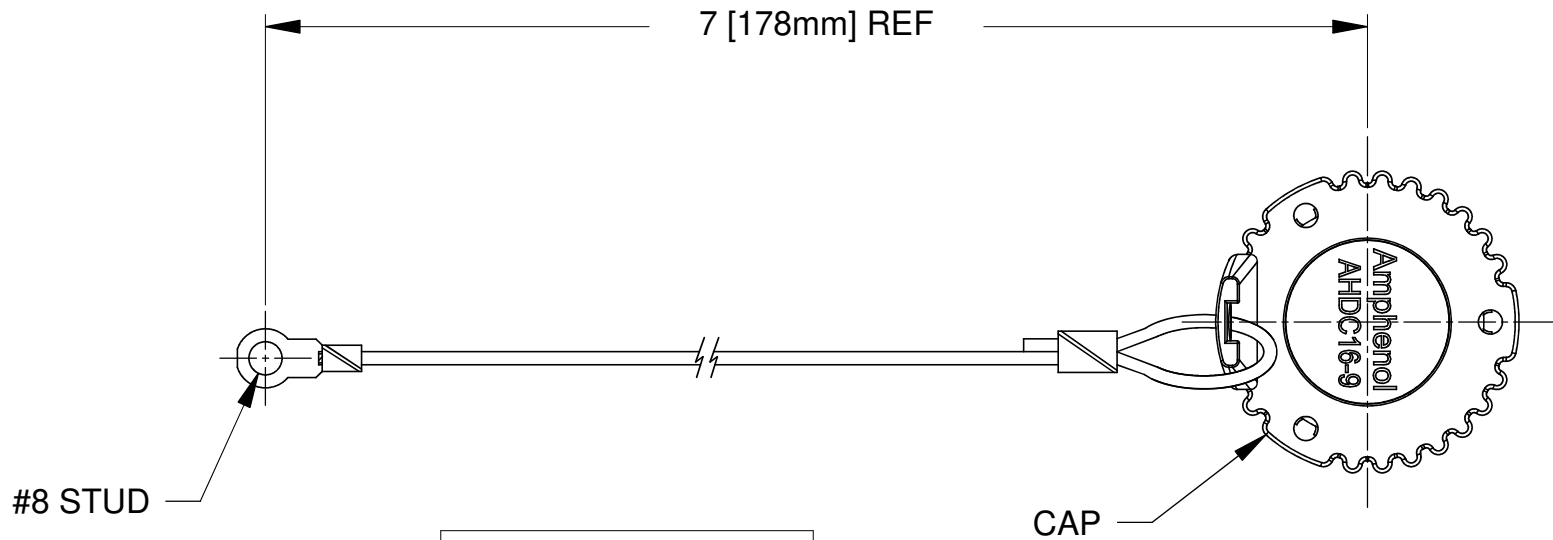


REVISIONS					
REV	ECO	DESCRIPTION	DATE	BY	APPR
A1		RELEASE CUSTOMER DRAWING	06NOV13	JARRY	



PART NUMBER CHART	
COLOR	PART NUMBER
GREY	AHDC169-TM
BLACK	AHDC169-TMBLK

- NOTES: UNLESS OTHERWISE SPECIFIED
1. COMPATIBLE WITH 9 POSITION AHD SERIES RECEPTACLES .
 2. ALL COMPONENTS ARE RoHS COMPLIANT.
 3. ALL DIMENSIONS ARE FOR REFERENCE USE ONLY.

QUANTITY	SEE CHART	DESCRIPTION	ITEM												
QUANTITY	PART NUMBER	DESCRIPTION	ITEM												
MATERIALS LIST															
UNLESS OTHERWISE SPECIFIED 1) All dimensions are in metric(mm). 2) Tolerances are as follows: 1 PL DEC ±0.30 2 PL DEC ±0.15 3 PL DEC ±0.08 Fractions ±1/64 Angles ±1° 3) Note reference =		<table border="1"> <tr> <th>SIGNATURES</th> <th>DATE</th> </tr> <tr> <td>DRAWN: JARRY</td> <td>06NOV13</td> </tr> <tr> <td>CHECKED:</td> <td></td> </tr> <tr> <td>ENGINEER:</td> <td></td> </tr> <tr> <td>APPROVAL:</td> <td></td> </tr> <tr> <td>CUSTOMER:</td> <td></td> </tr> </table>		SIGNATURES	DATE	DRAWN: JARRY	06NOV13	CHECKED:		ENGINEER:		APPROVAL:		CUSTOMER:	
SIGNATURES	DATE														
DRAWN: JARRY	06NOV13														
CHECKED:															
ENGINEER:															
APPROVAL:															
CUSTOMER:															
MATERIAL SPECIFICATIONS:		<h1>Amphenol</h1> <p>Sine Systems - www.amphenol-sine.com 44724 Morley Drive Clinton Township, MI 48036</p>													
PROCESS SPECIFICATIONS:		<p>TETHERED CAP, METAL WIRE, AHD 9 POSITION SERIES</p>													
NEXT ASSY:		<table border="1"> <tr> <td>SIZE</td> <td>TYPE</td> <td>DWG NO:</td> <td>REVISION</td> </tr> <tr> <td>A</td> <td>C-</td> <td>AHDC169-TMXXX</td> <td>A1</td> </tr> <tr> <td colspan="2">SCALE: NONE</td> <td>SHEET 1 OF 1</td> <td></td> </tr> </table>		SIZE	TYPE	DWG NO:	REVISION	A	C-	AHDC169-TMXXX	A1	SCALE: NONE		SHEET 1 OF 1	
SIZE	TYPE	DWG NO:	REVISION												
A	C-	AHDC169-TMXXX	A1												
SCALE: NONE		SHEET 1 OF 1													