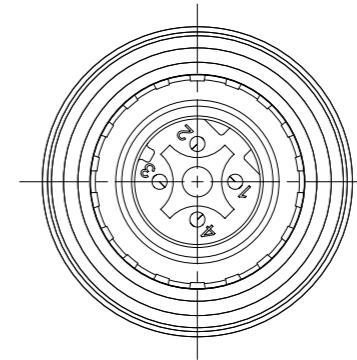
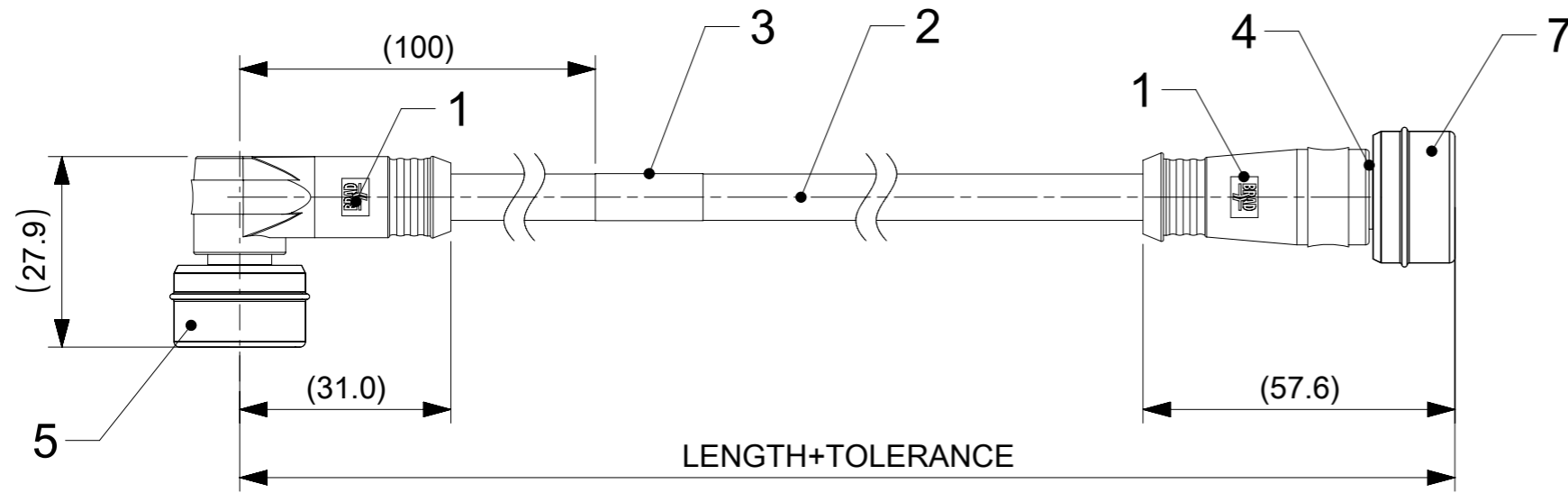
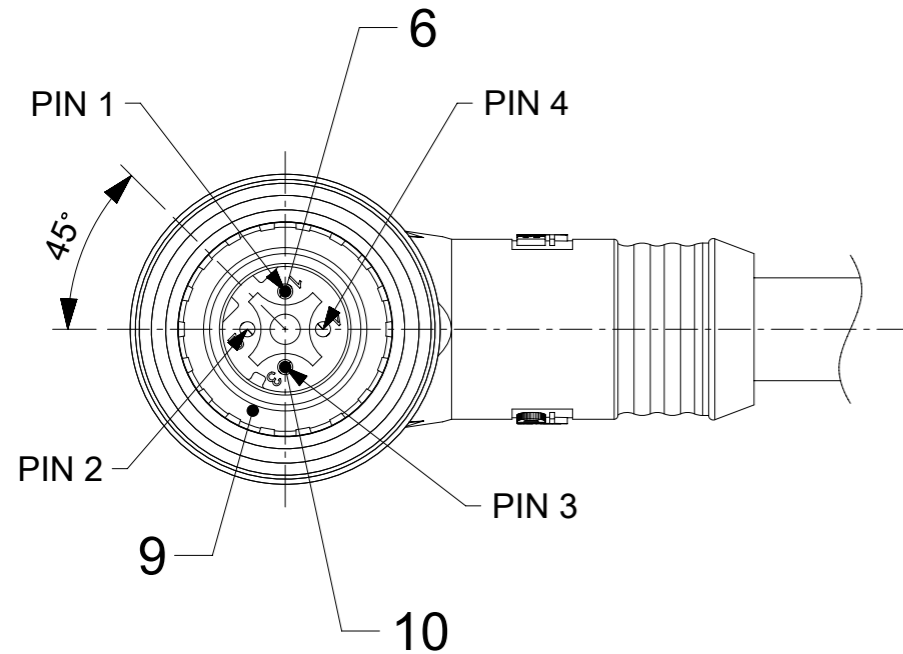


MALE PLUG U12 ANGLED 90° TO MALE PLUG U12 STRAIGHT



FRONT VIEW
SCALE 2:1



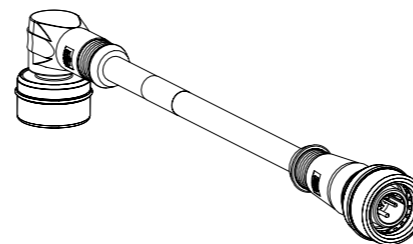
FRONT VIEW
SCALE 2:1

WIRING DIAGRAM



BOM

| ITEM | QTY. | DESCRIPTION | MATERIAL | FINISH/COLOR |
|------|------|---|-------------|----------------|
| 7 | 1 | ULTRALOCK 4P STR ASSEMBLY | - | - |
| 6 | 8 | CONTACT 10 MA STA NI AU CR WRA 0.14-0.5 | BRASS | SELECTIVE GOLD |
| 5 | 1 | ULTRALOCK 4P RA ASSEMBLY | - | - |
| 4 | 1 | SLEEVE | BRASS | NICKEL |
| 3 | 1 | LABEL | VINYL | YELLOW |
| 2 | - | CABLE | SEE SHEET 2 | - |
| 1 | - | OVERMOULD | TPU | BLACK |



SCALE 1:2

NOTES:

1. MATERIALS : SEE BOM TABLE
2. FINISHES: SEE BOM TABLE
3. ELECTRICAL DATA:
MAX. VOLTAGE RATING 60 VDC
MAX. CURRENT PER CONTACT 1.5 A
4. ENVIRONMENTAL:
STATIC OPERATING TEMP U12: -25°C to +85°C
INDEX OF PROTECTION M12: IP67

| | | | | |
|---|--|--------------------------------|--|--|
| FUNCTIONAL SYMBOLS | THIS DRAWING CONTAINS INFORMATION THAT IS PROPRIETARY TO MOLEX ELECTRONIC TECHNOLOGIES, LLC AND SHOULD NOT BE USED WITHOUT WRITTEN PERMISSION | | | |
| $\nabla_A = 0$ $\nabla_E = 0$ $\nabla_V = 0$ | DIMENSION UNITS: mm SCALE: 1:1 | CURRENT REV DESC: | | |
| DIVISIONAL SYMBOLS | GENERAL TOLERANCES (UNLESS SPECIFIED) ANGULAR TOL $\pm 1.0^\circ$ 4 PLACES \pm 3 PLACES \pm 2 PLACES ± 0.05 1 PLACE ± 0.3 0 PLACES ± 0.5 | | EC NO: 703182 DRWN: SSM CHK'D: RSILLER APPR: RSILLER INITIAL REVISION: DRWN: SSM APPR: RSILLER | |
| DRAFT WHERE APPLICABLE MUST REMAIN WITHIN DIMENSIONS | | THIRD ANGLE PROJECTION | DRAWING: A3-SIZE | SERIES: 120108 |
| DOCUMENT STATUS: P1 RELEASE DATE: 2022/04/14 13:32:17 | | MATERIAL NUMBER: SEE PART LIST | CUSTOMER: GENERAL MARKET | DOCUMENT NUMBER: 1201088234 DOC TYPE: PSD DOC PART: 000 REVISION: A1 SHEET NUMBER: 1 OF 2 |

NUMERICAL CODE (Available parts see PART LIST table. Other parts available upon request).

OPTIONS

E W W A 0 6 2 X X M X X X X

E=Ethernet

Heads:
W=Ultra-Lock U12
4P D-Code
W=Ultra-Lock U12
4P D-Code

Wiring
type

Heads style:
062=MA U12 RA 90°
/ MA U12 STR

Cable type:
See cable table

Units:
M=Meter
T=10x meter

Length
Examples:
005=0.5 units
010=1 units
150=15 units

H= 2 pcs. of
I/D Carrier

CABLE INFORMATION (for more information see Cable Data Sheet).

| CABLE TYPE | CABLE O.D. | APPLICATION | CROSS SECTION | CABLE JACKET | UL | TEMP. RANGE STATIC BENDING RADIUS STATIC | TEMP. RANGE DYNAMIC BENDING RADIUS DYNAMIC | CYCLES | ADDITIONAL INFORMATION |
|------------|------------|---------------------|---------------|-----------------|-------------|--|--|--|------------------------|
| 11 | 6.8mm | PROFINET TYPE C | 22AWG | PUR GREEN | STYLE 20549 | -40°C to +80°C / min.5xO.D. | -20°C to +70°C / min.7.5xO.D. | up to 5 Mio | - |
| 12 | 6.7mm | PROFINET TYPE C | 22AWG | TPU BASED GREEN | STYLE 21215 | -40°C to +80°C / min.5xO.D. | -25°C to +80°C / min.15xO.D. | about 2M, min.15xO.D., -5°C to +60°C | WSOR |
| 16 | 6.5mm | - | 24AWG | TPU BASED TEAL | STYLE 21215 | -40°C to +80°C / min.6xO.D. | -20°C to +50°C | 1M, min.10xO.D. / 2M min.20xO.D. @20°C | WSOR |
| 17 | 8.0mm | PROFINET TYPE B & C | 22AWG | TPE GREEN | STYLE 2463 | -40°C to +75°C | | 1M min.10xO.D. / 10M min.20xO.D. @20°C | WSOR |

PART LIST

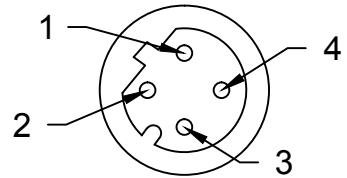
| No. | MOLEX P/N | ENGINEERING NO. | CABLE LENGTH |
|-----|------------|-----------------|--------------|
| 1 | 1201088234 | EWWA06211M020 | 2m |
| 2 | 1201088235 | EWWA06211M050 | 5m |
| 3 | 1201088236 | EWWA06211M100 | 10m |
| 4 | 1201088237 | EWWA06211M150 | 15m |
| 5 | 1201088238 | EWWA06211M200 | 20m |
| 6 | 1201088239 | EWWA06211M300 | 30m |
| 7 | 1201088240 | EWWA06211M400 | 40m |
| 8 | 1201088241 | EWWA06211M600 | 60m |
| 9 | 1201088242 | EWWA06211M800 | 80m |
| 10 | 1201088243 | EWWA06211T100 | 100m |
| 11 | | | |
| 12 | | | |
| 13 | | | |
| 14 | | | |
| 15 | | | |
| 16 | | | |
| 17 | | | |
| 18 | | | |
| 19 | | | |
| 20 | | | |
| 21 | | | |
| 22 | | | |
| 23 | | | |
| 24 | | | |
| 25 | | | |

CABLE LENGTH TOLERANCES

| LENGTH | TOLERANCE |
|------------|------------|
| 0 m-1 m | +40 mm |
| >1 m-5 m | +60 mm |
| >5 m-10 m | +80 mm |
| >10 m-20 m | +140 mm |
| >20 m-30 m | +160 mm |
| >30 m | +1% length |

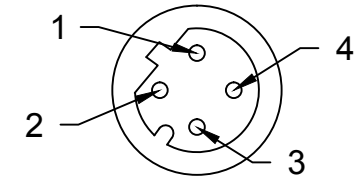
| | | | | | |
|--|---|---|--|--|---|
| FUNCTIONAL SYMBOLS ∇/\bar{A} = 0 ∇/\bar{E} = 0 ∇/\bar{V} = 0 DIVISIONAL SYMBOLS | THIS DRAWING CONTAINS INFORMATION THAT IS PROPRIETARY TO MOLEX ELECTRONIC TECHNOLOGIES, LLC AND SHOULD NOT BE USED WITHOUT WRITTEN PERMISSION DIMENSION UNITS: mm SCALE: 1:1 GENERAL TOLERANCES (UNLESS SPECIFIED) ANGULAR TOL ± 1.0° 4 PLACES ± 3 PLACES ± 2 PLACES ± 0.05 1 PLACE ± 0.3 0 PLACES ± 0.5 DRAFT WHERE APPLICABLE MUST REMAIN WITHIN DIMENSIONS | CURRENT REV DESC: EC NO: 703182 DRWN: SSM CHK'D: RSILLER APPR: RSILLER INITIAL REVISION: DRWN: SSM APPR: RSILLER | 2021/10/20 2022/04/14 2022/04/14 2021/07/01 2021/09/20 | | MIC 4P M/M P ULOCK ST/90 XXXM PUR PRODUCT CUSTOMER DRAWING |
| | DOCUMENT NUMBER: 1201088234 DOC TYPE: PSD DOC PART: 000 REVISION: A1 | | MATERIAL NUMBER: SEE PART LIST CUSTOMER: GENERAL MARKET SHEET NUMBER: 2 OF 2 | | |
| | THIRD ANGLE PROJECTION | DRAWING: A3-SIZE | SERIES: 120108 | | |

FRONT VIEW - MALE M12

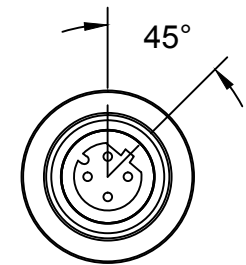
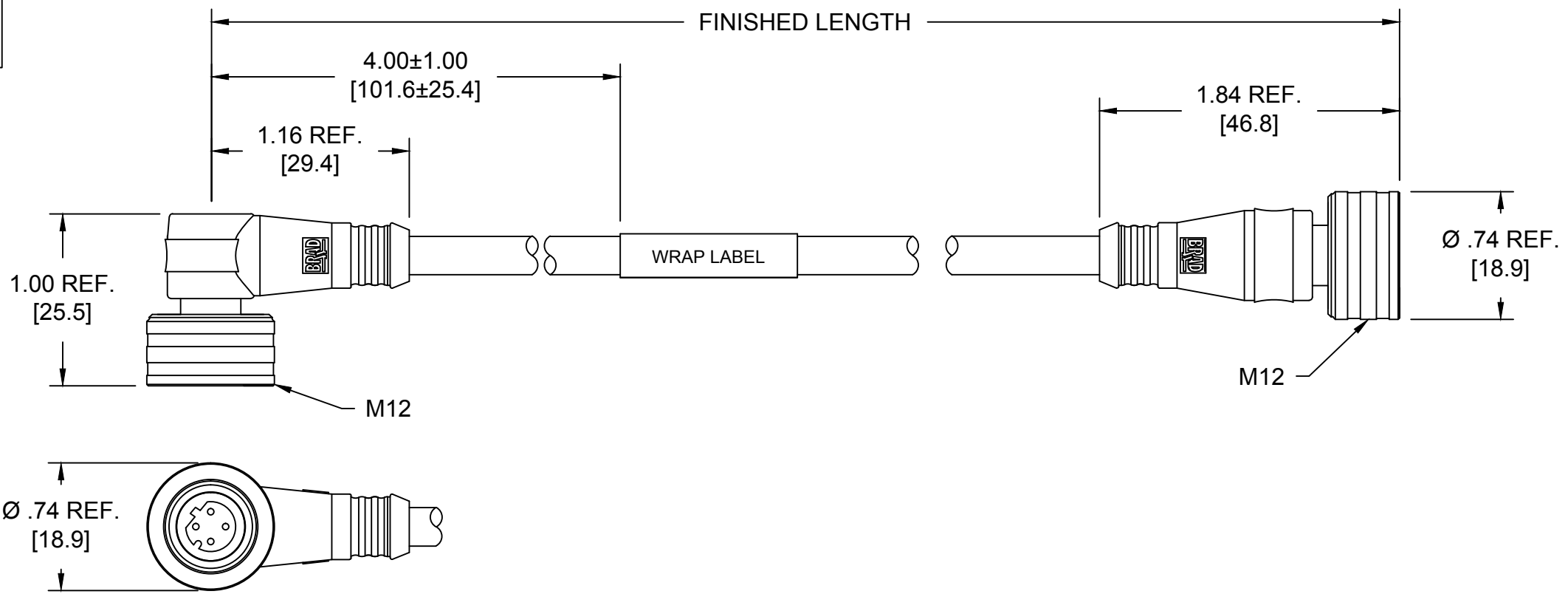


1-YELLOW
2-WHITE
3-ORANGE
4-BLUE

FRONT VIEW - MALE M12



1-YELLOW
2-WHITE
3-ORANGE
4-BLUE



NOTES:

MECHANICAL

M12 CONNECTOR
INSERT: BLACK PUR
CONTACT: GOLD/NICKEL OVER COPPER ALLOY
COUPLING NUT: NICKEL PLATED BRASS
MOLDED BODY: BLACK PUR

CABLE: 22 AWG 4 CONDUCTORS SHIELDED GREEN PUR JACKET
AGENCY LISTED: UL AND CSA
CABLE MARKING: X N X 2x2xAWG22/7-9H(ST) C11Y INDUSTRIAL ETHERNET
PROFINET TYP C E48408 cULus AWM STYLE 20236 AWM I/II A/B
80°C 30 V FT1

WRAP LABEL: MARKED WITH P/N, DATE CODE, VOLTAGE & AMPERAGE

ELECTRICAL

ACCORDING TO CAT5e
VOLTAGE RATING: 250V AC/DC
AMPERAGE: 4A

| | | | | | | | | | | | |
|--|--------------------|---|--|------------|--------------------------|------------|---|----------------------|------------------------|--|--|
| ADDED PART NO. TABLE EC NO: IPG2015-2010 DRWN: GGUSTAFS 2015/05/27 CHKD: BARDEN 2015/07/23 APPR: BWOODMAN 2014/08/02 | DESCRIPTION REV | QUALITY SYMBOLS ▽=0 ∇=0 | GENERAL TOLERANCES (UNLESS SPECIFIED) | | DIMENSION STYLE IN/MM | | SCALE NTS | DESIGN UNITS INCH | THIRD ANGLE PROJECTION | | |
| | | | mm | INCH | DRAWN BY | DATE | M12 ULOCK CABLE ASSY 4P M/MP ST/90 D-CODE 2X2X22AWG GREEN PUR | | | | |
| | | 4 PLACES | ±--- | ±--- | BARDEN | 2013/12/06 | | | | | |
| | | | mm | INCH | CHECKED BY | DATE | MOLEX INCORPORATED | | | | |
| 3 PLACES | ±--- | ±.005 | TWOLDEGE | 2014/04/09 | | | | | | | |
| | mm | INCH | APPROVED BY | DATE | MATERIAL NO. | | DOCUMENT NO. | SHEET NO. | | | |
| | mm | INCH | DRAFT WHERE APPLICABLE MUST REMAIN WITHIN DIMENSIONS | | SEE TABLE | | SD-120108-071 | 1 OF 2 | | | |
| SIZE B | | THIS DRAWING CONTAINS INFORMATION THAT IS PROPRIETARY TO MOLEX INCORPORATED AND SHOULD NOT BE USED WITHOUT WRITTEN PERMISSION | | | | | | | | | |

10 9 8 7 6 5 4 3 2 1

F

| MATERAIL NO. | ENGINEERING NO. |
|--------------|-----------------|
| 1201088234 | EWWA06211M020 |
| 1201088235 | EWWA06211M050 |
| 1201088236 | EWWA06211M100 |
| 1201088237 | EWWA06211M150 |
| 1201088238 | EWWA06211M200 |
| 1201088239 | EWWA06211M300 |
| 1201088240 | EWWA06211M400 |
| 1201088241 | EWWA06211M600 |
| 1201088242 | EWWA06211M800 |
| 1201088243 | EWWA06211T100 |

E

EWWA06211M020

CABLE TYPE
22/4AWG
PUR GREEN

CABLE LENGTH
010----1 Meter
100----10 Meters

D

C

B

A

| | | | | | | | | | |
|--|--|---|-----------|-----------------|---------------|----------------------|--------------|------------------------|--|
| ADDED PART NO. TABLE EC NO: IPG2015-2010 DRWN: GGUSTAFS 2015/05/27 CHKD: BARDEN 2015/07/23 APPR: BWOODMAN 2014/08/02 | QUALITY SYMBOLS | GENERAL TOLERANCES (UNLESS SPECIFIED) | | DIMENSION STYLE | | SCALE | DESIGN UNITS | THIRD ANGLE PROJECTION | |
| | ▽=0 | mm | INCH | IN/MM | | NTS | INCH | M12 ULOCK CABLE ASSY | |
| | ▽C=0 | 4 PLACES ±--- | ±--- | DRAWN BY | DATE | TITLE | | | |
| | | 3 PLACES ±--- | ±.005 | BARDEN | 2013/12/06 | 4P M/MP ST/90 D-CODE | | | |
| | | 2 PLACES ±0.13 | ±.010 | CHECKED BY | DATE | 2X2X22AWG GREEN PUR | | | |
| | 1 PLACE ±0.25 | ±.020 | TWOLDEGE | 2014/04/09 | APPROVED BY | | DATE | MOLEX INCORPORATED | |
| | ANGULAR ±1/2° | | JFMURPHY | 2014/08/02 | MATERIAL NO. | | DOCUMENT NO. | SHEET NO. | |
| | DRAFT WHERE APPLICABLE MUST REMAIN WITHIN DIMENSIONS | | SEE TABLE | | SD-120108-071 | | 2 OF 2 | | |
| B | SIZE | THIS DRAWING CONTAINS INFORMATION THAT IS PROPRIETARY TO MOLEX INCORPORATED AND SHOULD NOT BE USED WITHOUT WRITTEN PERMISSION | | | | | | | |
| | B | | | | | | | | |

10 9 8 7 6 5 4 3 2 1