

4

3

2

1

THIS DRAWING IS UNPUBLISHED.

RELEASED FOR PUBLICATION

-- --

LOC

DIST

REVISIONS

© COPYRIGHT - BY TYCO ELECTRONICS CORPORATION.

ALL INTERNATIONAL RIGHTS RESERVED.

G

86

P

LTR

DESCRIPTION

DATE

DWN

APVD

E1

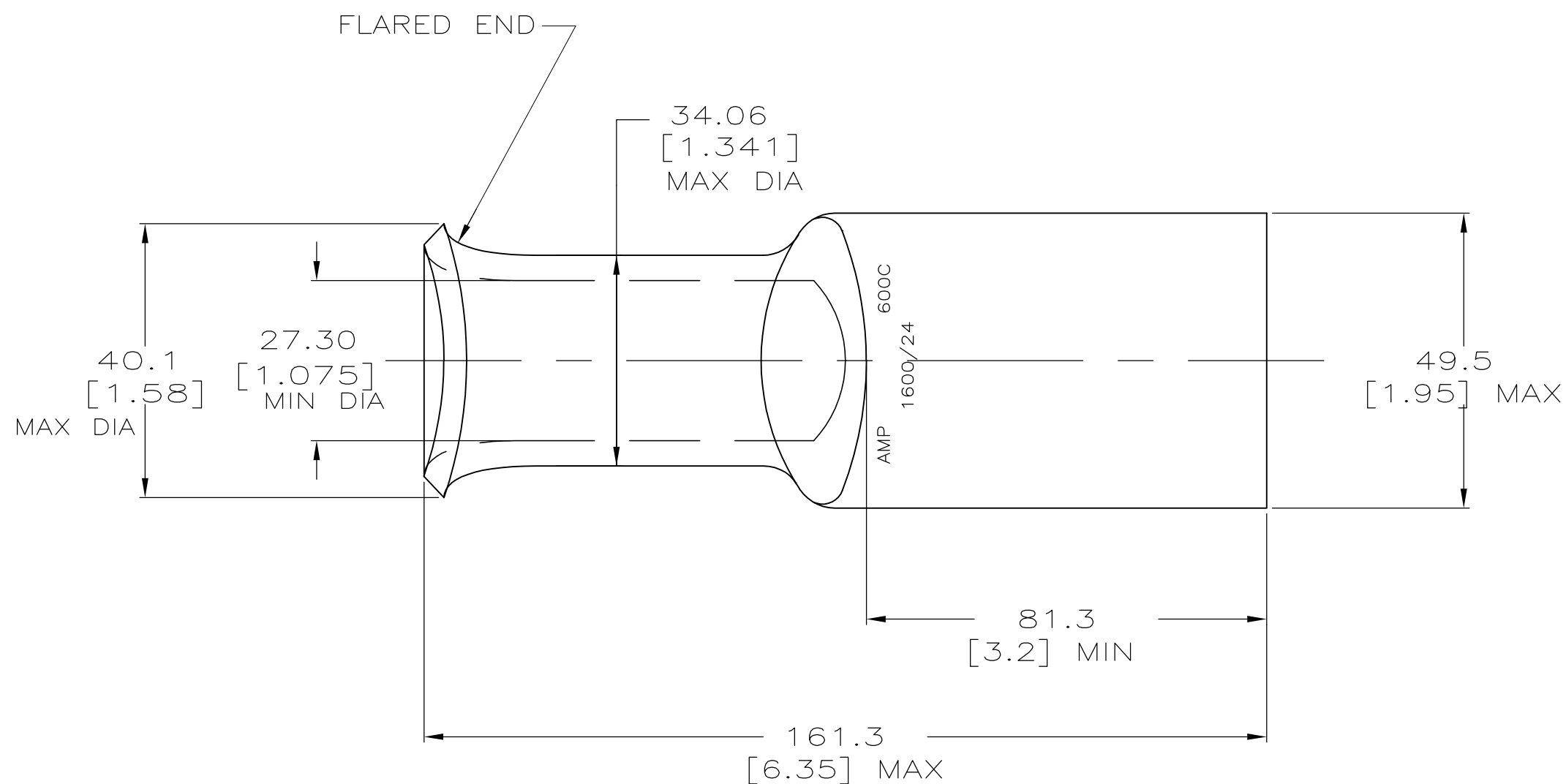
REV PER ECR 09-019195

02SEPT09

JR

RL

1 TONGUE THICKNESS IS 5.59 [.22] MAX.



326222

PART NO.

THIS DRAWING IS A CONTROLLED DOCUMENT.

DWN  
JR RUTH 07DEC99CHK  
M SPICER 07DEC99APVD  
M SPICER 07DEC99

PRODUCT SPEC

APPLICATION SPEC

WEIGHT

-

CUSTOMER DRAWING

Tyco Electronics Corporation  
Harrisburg, PA 17105-3608

NAME

TERMINAL, LONG BARREL,  
AMPOWER  
WIRE SIZE: 600 MCM

SIZE

CAGE CODE

DRAWING NO

RESTRICTED TO

A3

00779

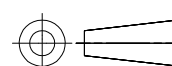
G-326222

-

SCALE 1:1

SHEET 1 OF 1

REV E1

DIMENSIONS:  
mm [INCHES]TOLERANCES UNLESS  
OTHERWISE SPECIFIED:

0 PLC	± -
1 PLC	± -
2 PLC	± -
3 PLC	± -
4 PLC	± -
ANGLES	± -

MATERIAL

COPPER PER  
ASTM B75

FINISH

TIN PLATE PER  
ASTM B545