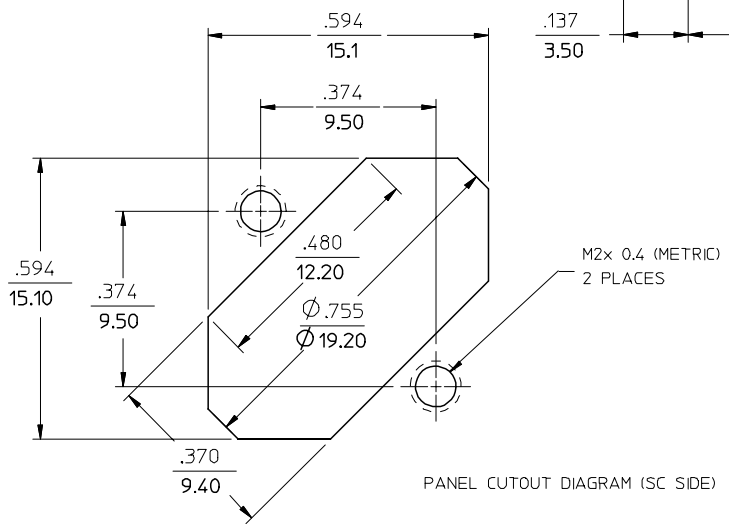
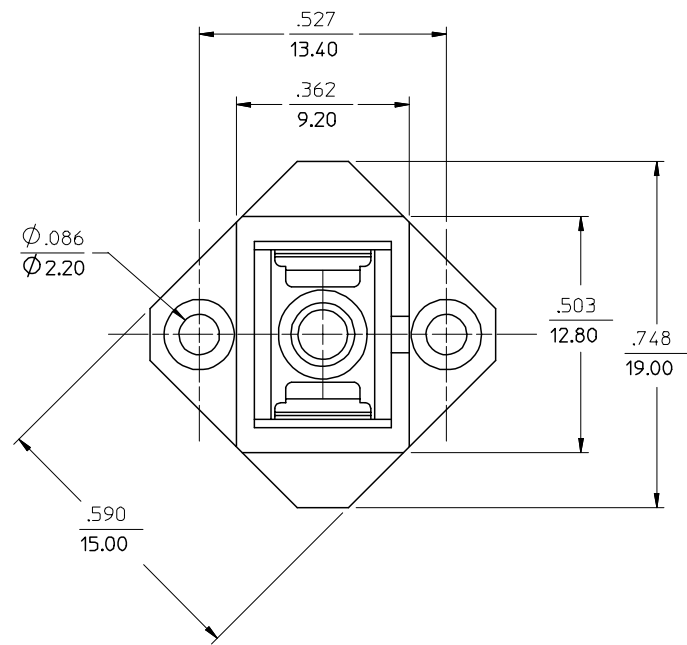
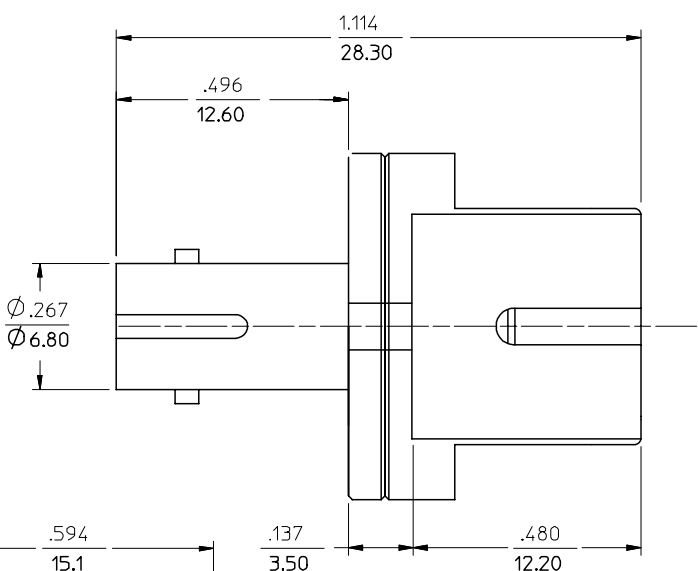


MOLEX P/N	MATERIAL OF SLEEVE
106160-0980	PHOSPHOR BRONZE
106161-0980	ZIRCONIA



PANEL CUTOUT DIAGRAM (SC SIDE)

ENTER DESCRIPTION	EC NO: MF2006-0260	2005/11/18
	DRWN:RPACIF1C1	2005/11/18
	CHKD:	2005/11/18
	APPR:IGUMIN	2005/11/18
REV	DESCRIPTION	
A		

QUALITY SYMBOLS
▽=0
▽=0

GENERAL TOLERANCES (UNLESS SPECIFIED)	mm	INCH
	4 PLACES ± ---	± ---
	3 PLACES ± ---	± ---
	2 PLACES ± ---	± ---
	1 PLACE ± ---	± ---
ANGULAR ±1/2°		
DRAFT WHERE APPLICABLE MUST REMAIN WITHIN DIMENSIONS		

DIMENSION STYLE		SCALE	DESIGN UNITS	THIRD ANGLE PROJECTION
IN/MM		4:1	INCH	
DRAWN BY	DATE	TITLE		
RPACIF1C1	2005/10/13	ST/SC METAL ADAPTER SQUARE FLANGE		
CHECKED BY	DATE	MOLEX INCORPORATED		
APPROVED BY	DATE	MATERIAL NO.	DOCUMENT NO.	SHEET NO.
		SEE TABLE	SD-10616X-0980	1 OF 01
SIZE	THIS DRAWING CONTAINS INFORMATION THAT IS PROPRIETARY TO MOLEX INCORPORATED AND SHOULD NOT BE USED WITHOUT WRITTEN PERMISSION			
B				