

SPECIFICATIONS

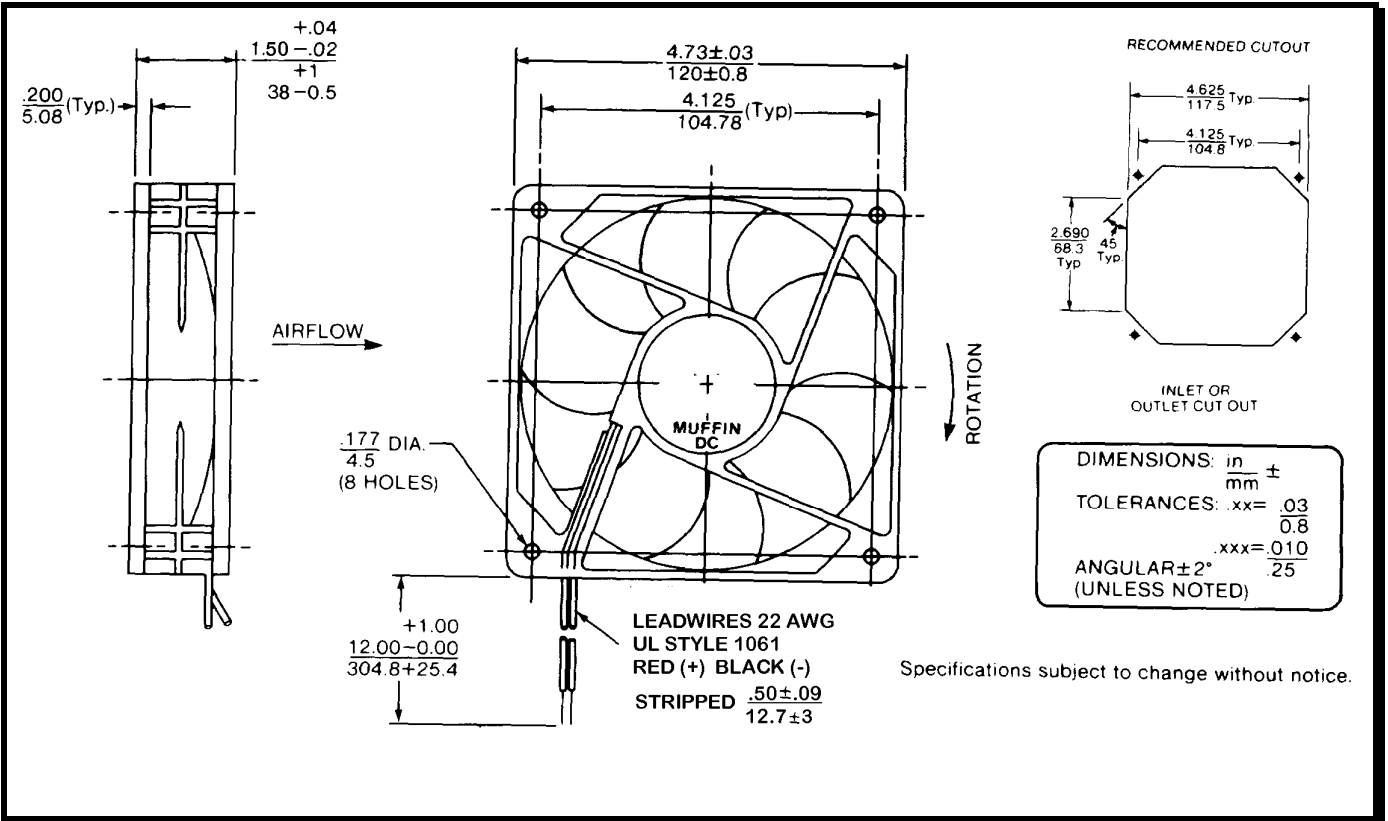
RoHS Compliant



Part Number: 032527
Model Number: MS48B3

December 14, 2004

Mechanical Drawing:



Motor:

Nominal Voltage = 48 vdc
 Operating Voltage Range = 24 - 56 vdc
 Nominal Running Current = 0.150 amps
 Max. Locked Rotor Current = 0.390 amps
 Running Power = 7.4 watts
 Average Speed = 2900 RPM
 Bearings = Ball
 Air Flow = 110 CFM
 Acoustic = 49.1 dBA

Construction:

Venturi: Glass filled nylon, black, UL 94V-0
 Propeller: Plastic, UL 94V-0, black

Life Expectancy:

This fan is designed for continuous duty life of 85,000 hours at 40°C.

Additional Features:

Brushless DC Motor
 Polarity Protected
 Automatic Reset Capability
 Locked Rotor Protection
 Operating Temperature: -10°C to 70°C
 Storage Temperature: -40°C to 85°C

Termination:

12" Lead-wires, AWG 22, UL 1061
 Red - Power (+)
 Black - Return (-)

Agency Approvals:

UL, cUL