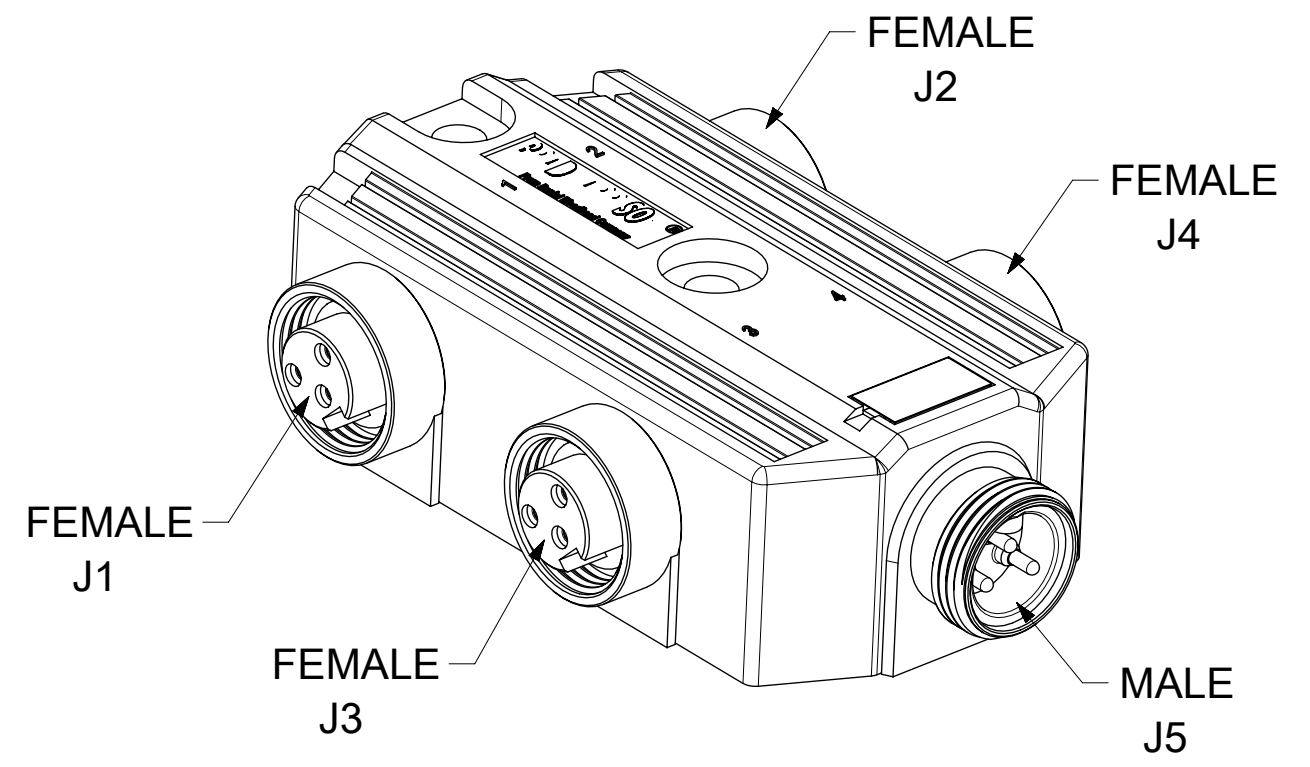
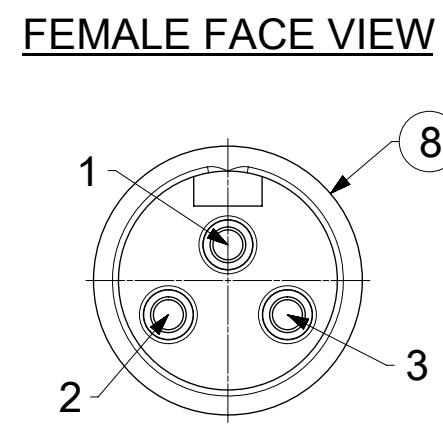
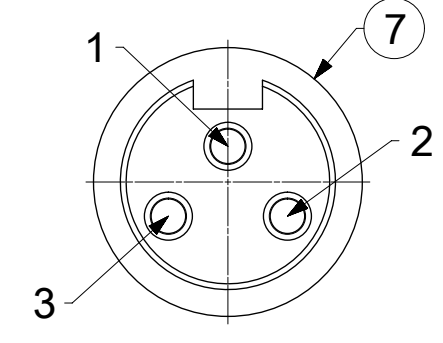
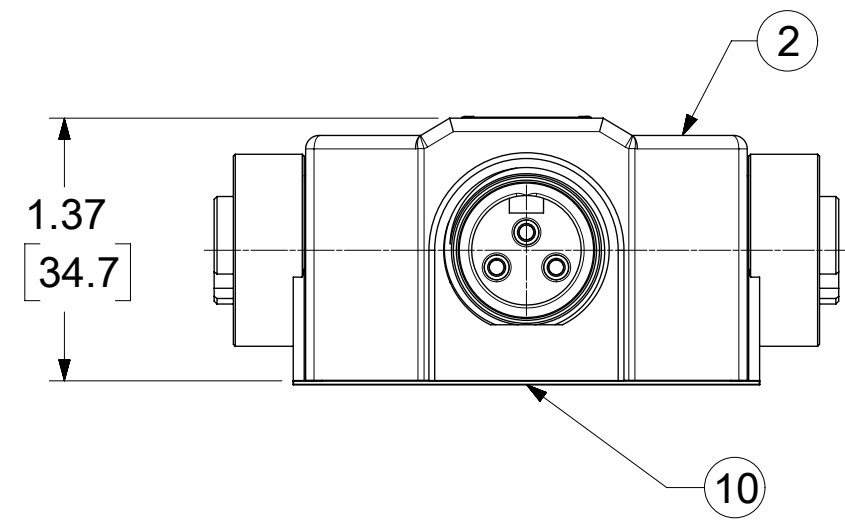
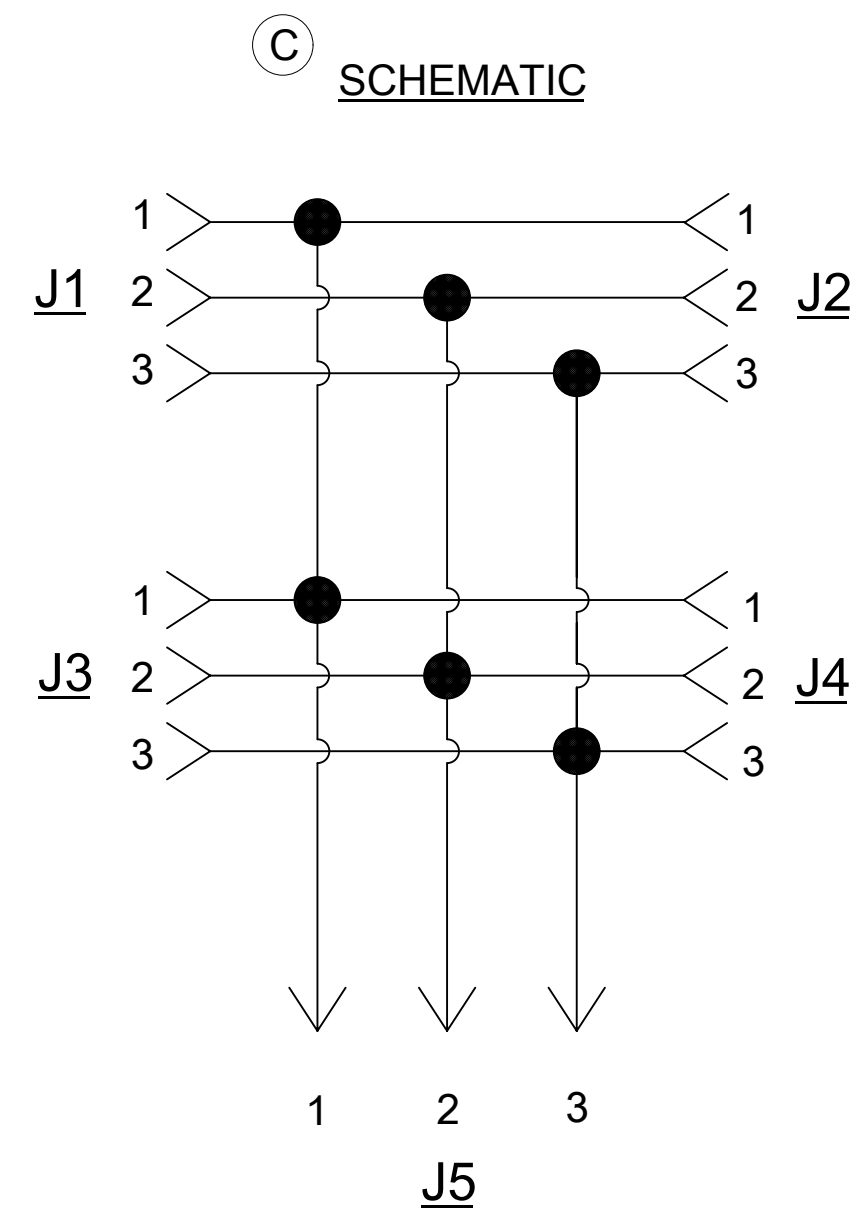
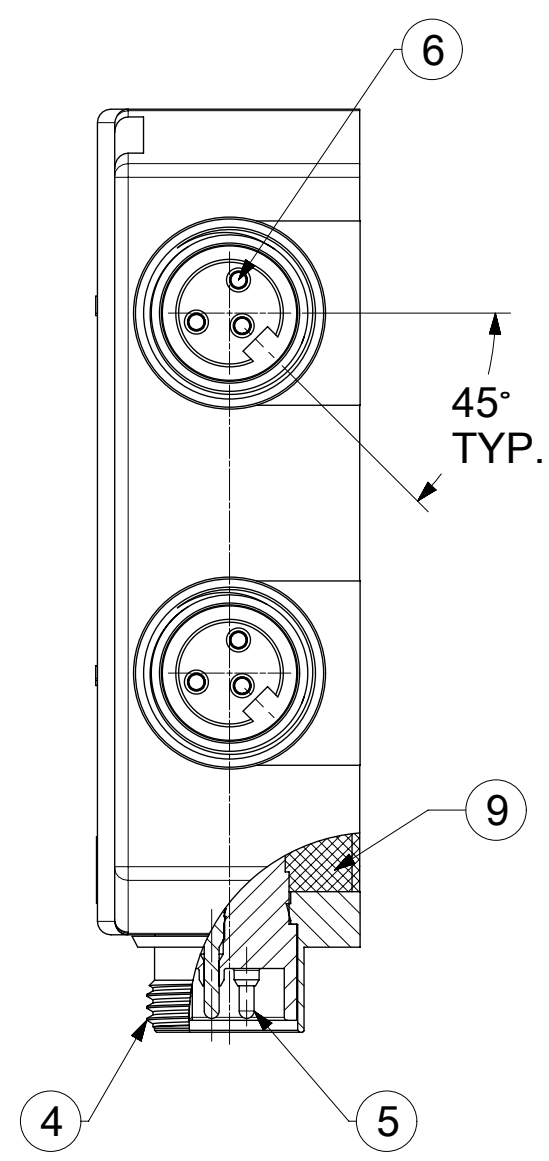
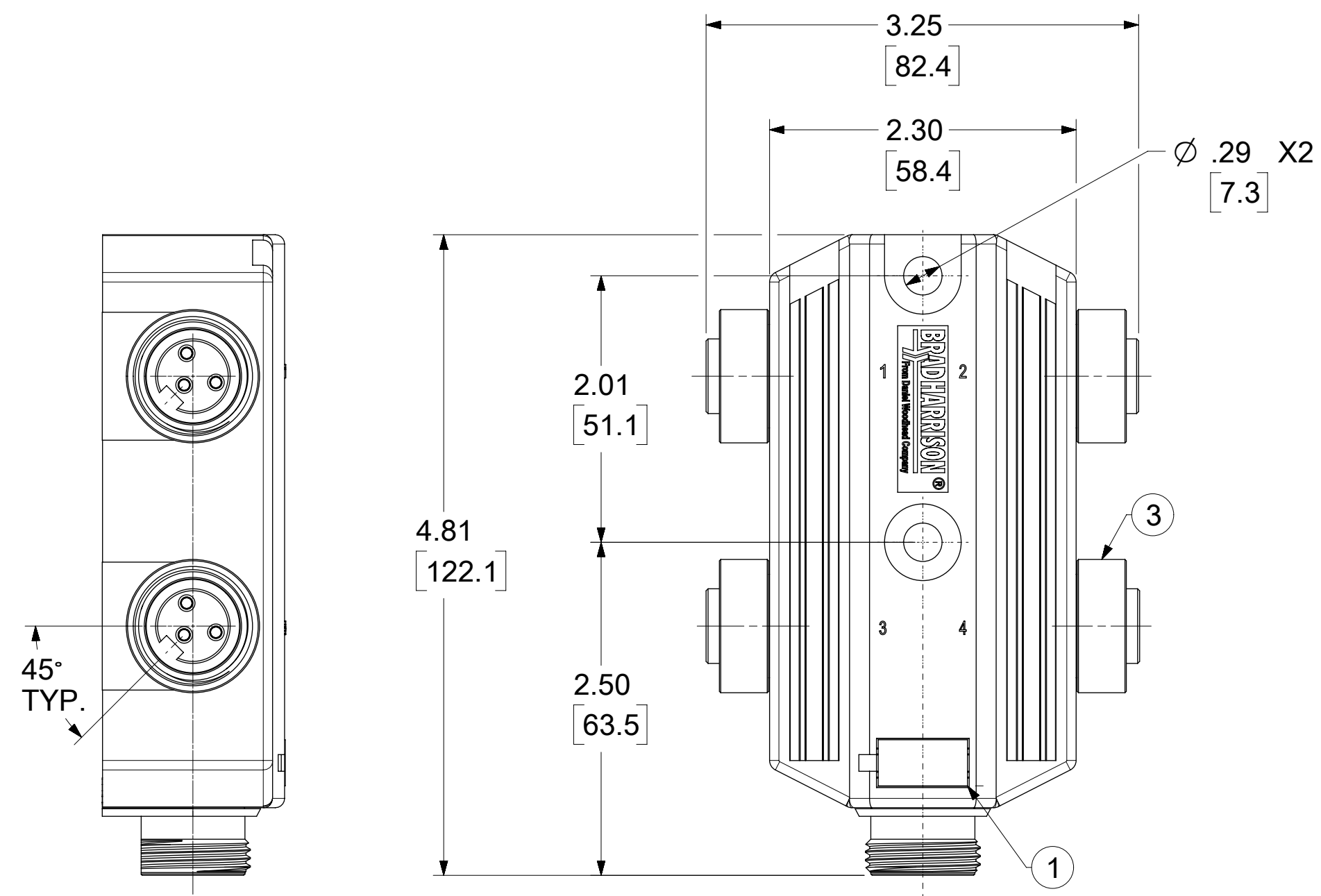


MATERIAL NO.	ENGINEERING NO.	HOUSING COLOR
1300600067	ACAUX4000	YELLOW
1300600086	ACAUX4000E	RED



- NOTES:
1. MATERIAL: AS NOTED
 2. FINISH: AS NOTED
 3. ELECTRICAL:
VOLTAGE; 600V AC/DC
CURRENT: 13A
 4. TEMP RATING: 0°C TO +60°C
 5. PROTECTION: IP67 (WHEN MATED)
 6. COUPLING THREADS: 7/8"-16UN 2B
 7. ALL DIMS ARE FOR REFERENCE UNLESS NOTED OTHERWISE
 8. UL LISTED FILE: E152210

ITEM	DESCRIPTION	MATERIAL	FINISH
10	MPIS SCHEMATIC LABEL	POLYOLEFIN	WHITE
9	POTTING MATERIAL	EPOXY	AMBER
8	MALE INSERT	TPE	YELLOW
7	FEMALE INSERT	TPE	YELLOW
6	CONTACT SOCKET	COPPER ALLOY	GOLD PLATED
5	CONTACT PIN	COPPER ALLOY	GOLD PLATED
4	MALE RECEPTACLE SHELL	ZINC DIE CAST	BLACK E-COAT
3	FEMALE RECEPTACLE SHELL	ZINC DIE CAST	BLACK E-COAT
2	HOUSING	PBT	SEE CHART
1	LABEL	ABS	WHITE

FUNCTIONAL SYMBOLS FA = 0 FE = 0 FP = 0	THIS DRAWING CONTAINS INFORMATION THAT IS PROPRIETARY TO MOLEX ELECTRONIC TECHNOLOGIES, LLC AND SHOULD NOT BE USED WITHOUT WRITTEN PERMISSION		CURRENT REV DESC: REVISED WIRE DIAGRAM, ADD UL FILE E152210 TO NOTE 8	
	DIMENSION UNITS INCH/MM	SCALE 1:1		
DIVISIONAL SYMBOLS	GENERAL TOLERANCES (UNLESS SPECIFIED)		EC NO: 672530	
	ANGULAR TOL ± °		DRWN: RSTONE	2021/08/02
	4 PLACES ±		CHK'D: MZIELINSKI	2021/08/04
	3 PLACES ±		APPR: BWOODMAN	2021/08/09
2 PLACES ±		INITIAL REVISION:		
1 PLACE ±		DRWN: MZIELINSKI	2019/03/22	
0 PLACES ±		APPR: BWOODMAN	2019/08/16	
DRAFT WHERE APPLICABLE MUST REMAIN WITHIN DIMENSIONS		THIRD ANGLE PROJECTION	DRAWING	SERIES
			C-SIZE	130060
DOCUMENT STATUS		DOC TYPE	DOC PART	REVISION
P1	RELEASE DATE	2021/08/09	23:35:23	
DOCUMENT NUMBER		MATERIAL NUMBER	CUSTOMER	SHEET NUMBER
1300600086		SEE TABLE		1 OF 1