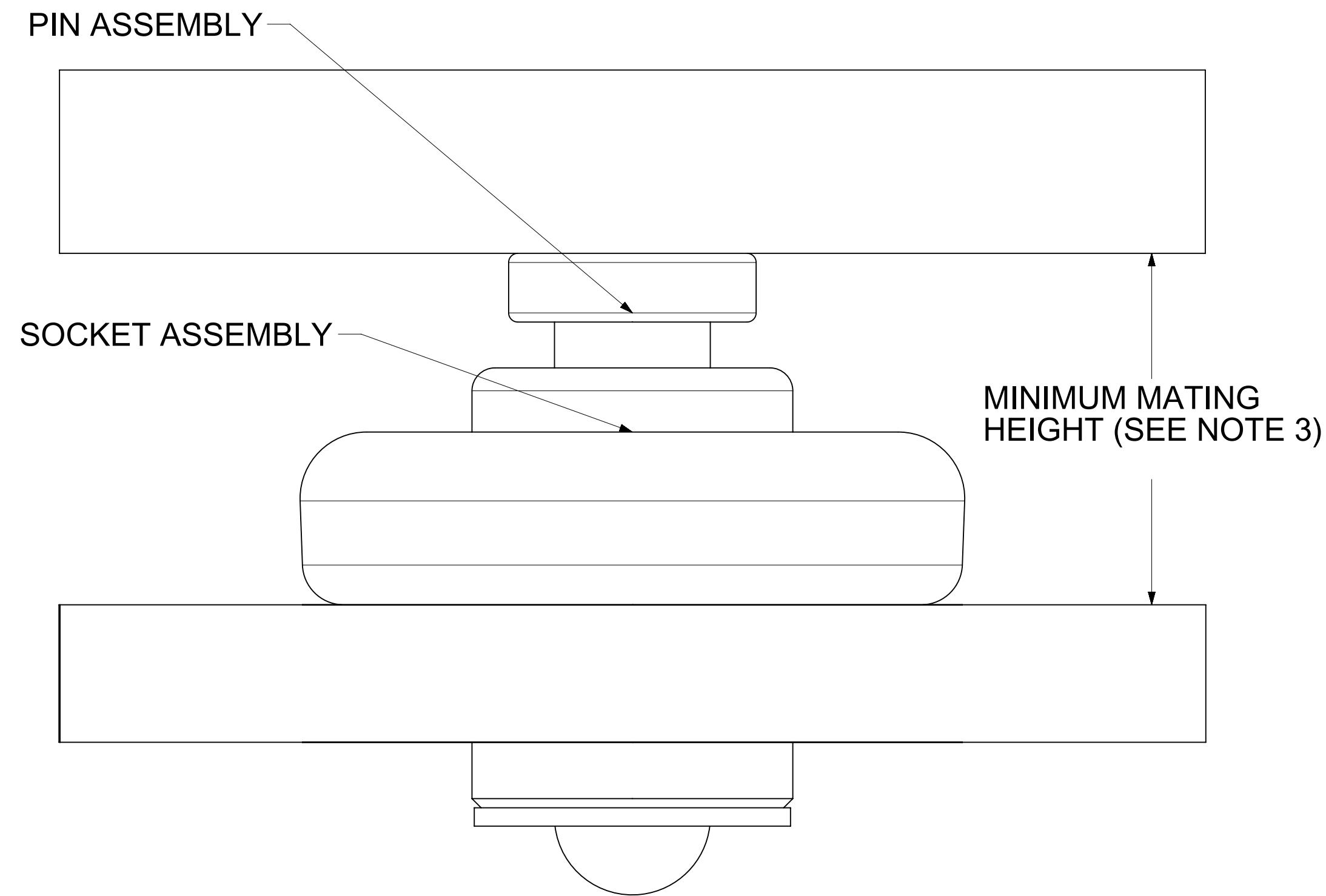
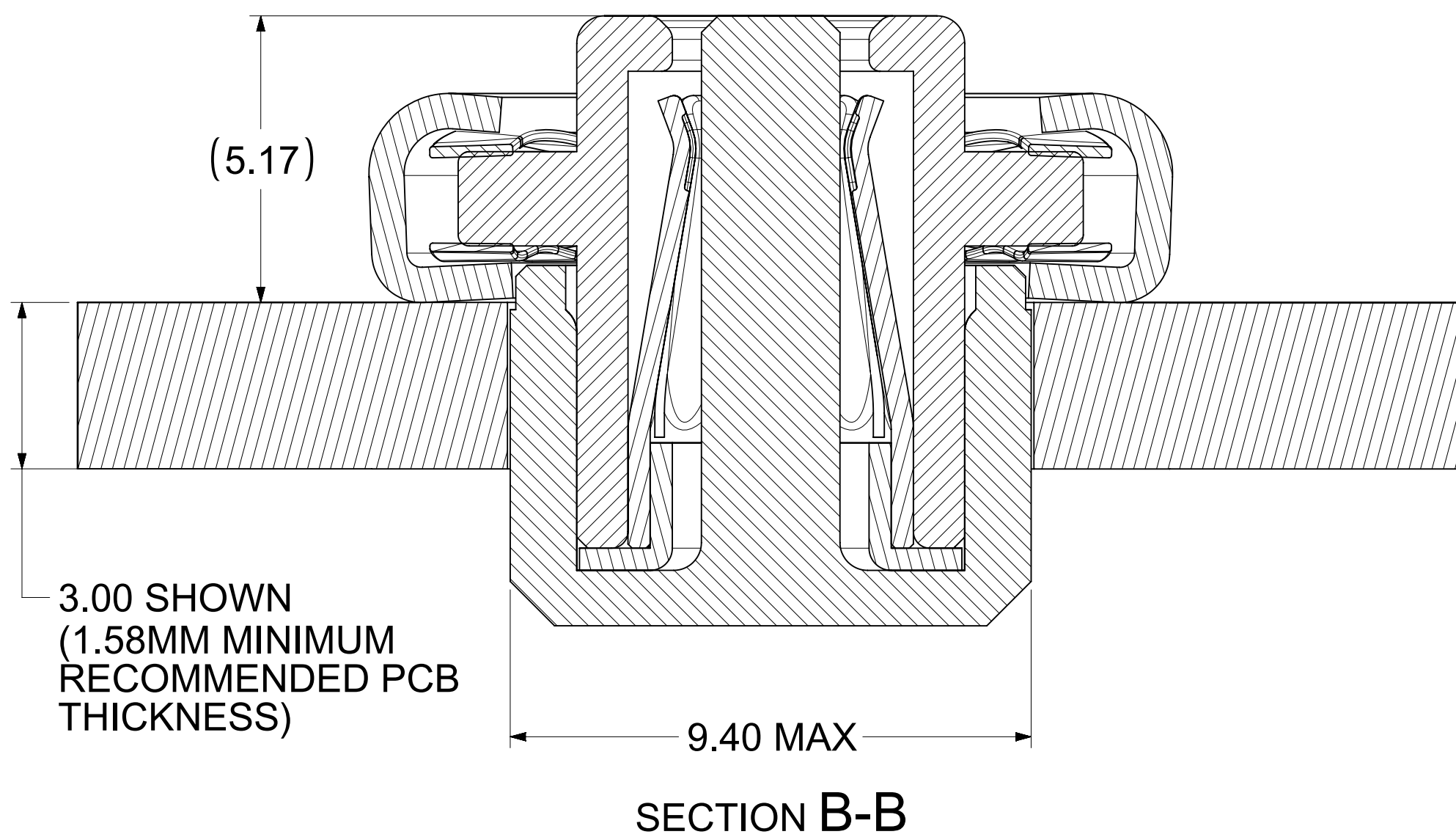
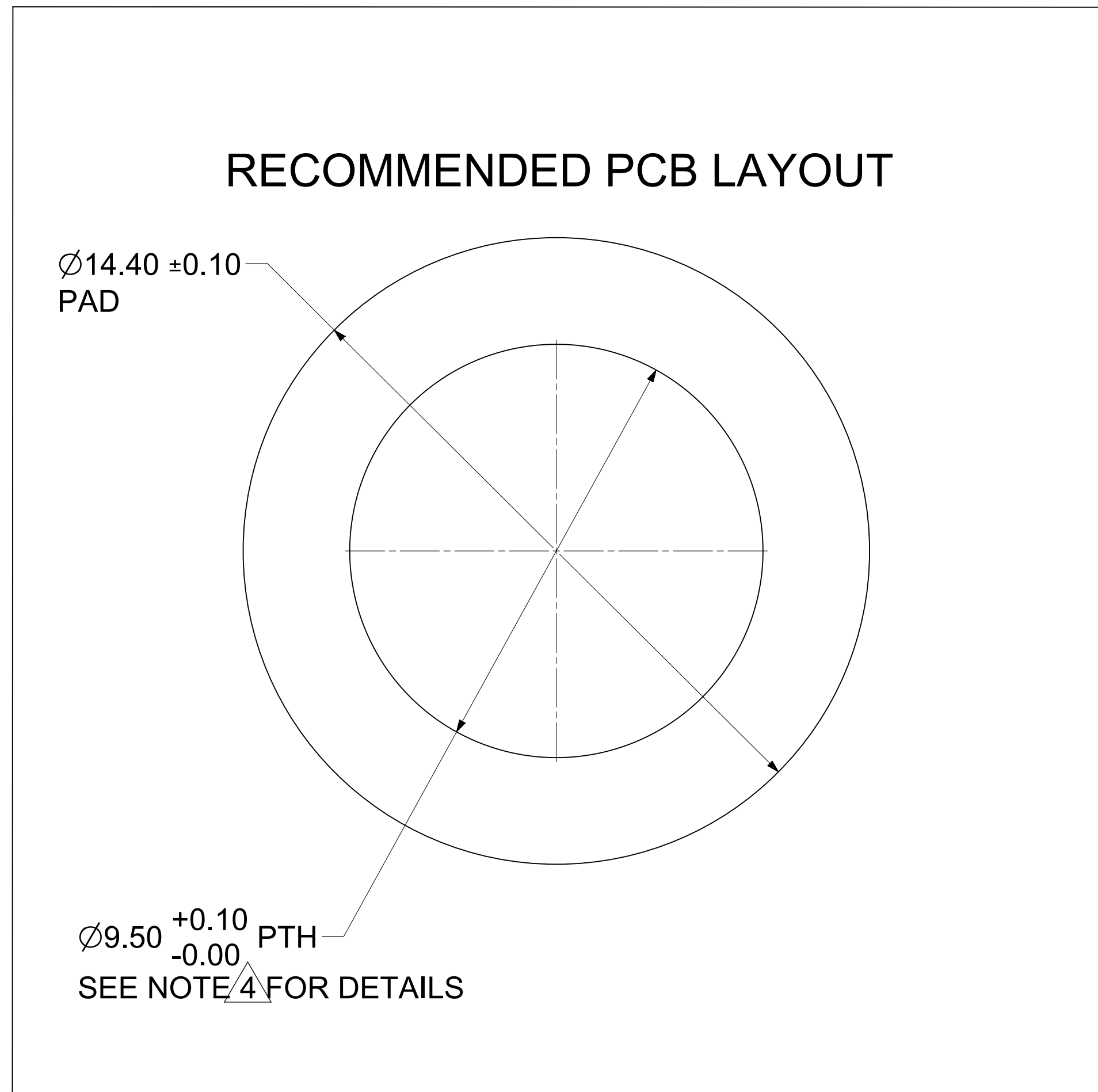
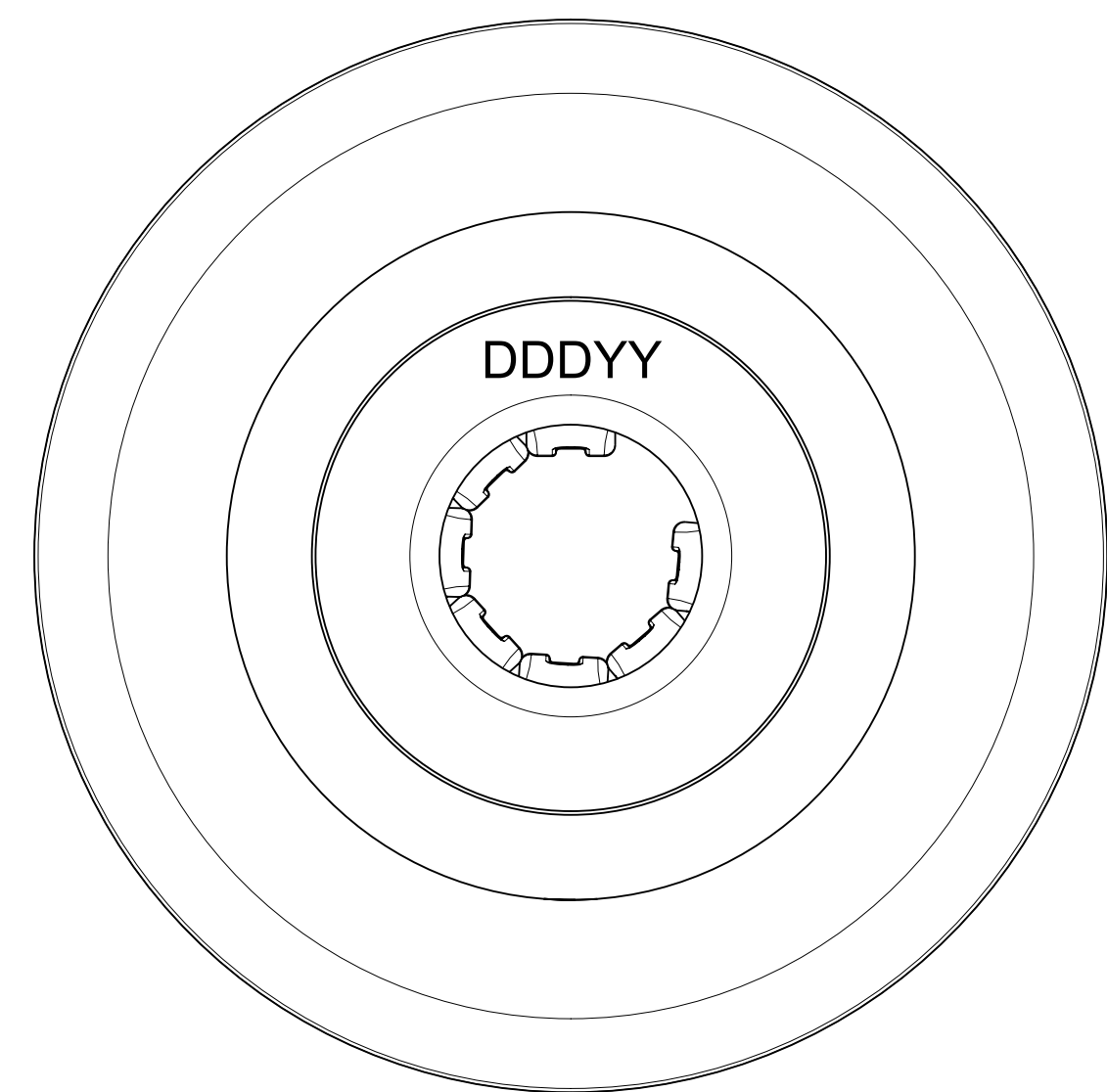
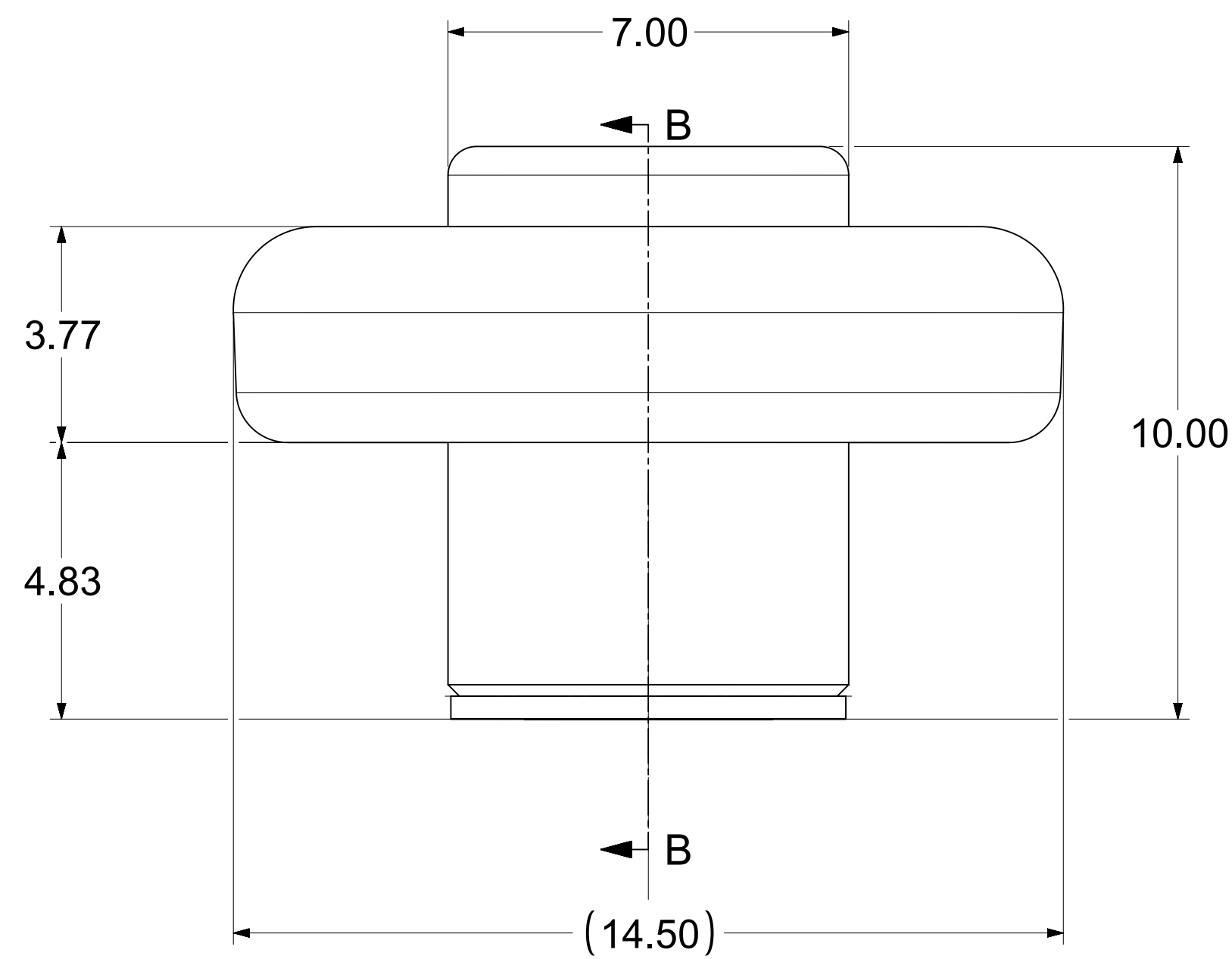


REMOVABLE
PICK AND PLACE
CAP SHOWN



MATING PROFILE

NOTES:

1. MATERIALS:
RETENTION CAP: STAINLESS STEEL
PICK AND PLACE CAP: LCP UL94, V-0 COLOR BLACK
BASE METAL: HIGH CONDUCTIVE COPPER ALLOY
PLATING ON CONTACTS: 0.75 MICRON MIN GOLD OVER 1.27 MICRON MIN NICKEL
PLATING ON BODY: 3.18 MICRON MIN SILVER OVER 1.27 MICRON MIN NICKEL
2. MATES WITH THE STANDARD PIN DRAWINGS:
i. 3.4MM SMT DRAWING 2032631134-SD, MIN. MATE DISTANCE 7.92
ii. 3.4MM PRESS FIT DRAWING 2032630034-SD, MIN. MATE DISTANCE 7.67MM
3. PRODUCT SPECIFICATION: 2043130018-PS
4. APPLICATION SPECIFICATION: 2043130018-AS
5. PACKAGING SPECIFICATION: 2043130018-PK
6. SILVER COMPONENTS WILL BE SUPPLIED TARNISH FREE BUT MAY TARNISH OVER TIME.
7. PICK AND PLACE CAP TO BE REMOVED AFTER SOLDERING. CAP TO BE PUSHED OUT OF BOTTOM FROM THE TOP.
8. DATE CODE TO BE LASER MARKED APPROXIMATELY WHERE SHOWN USING DDDYY FORMAT

THIS DRAWING CONTAINS INFORMATION THAT IS PROPRIETARY TO MOLEX ELECTRONIC TECHNOLOGIES, LLC AND SHOULD NOT BE USED WITHOUT WRITTEN PERMISSION													
DIMENSION UNITS	SCALE	CURRENT REV DESC: UPDATED THE TITLE BLOCK											
mm	NTS												
GENERAL TOLERANCES (UNLESS SPECIFIED)													
ANGULAR TOL	±	0.5°											
4 PLACES	±	EC NO: 747243									molex		
3 PLACES	±	DRWN: SOURAJ		2023/04/19									
2 PLACES	±	CHK'D: SCS02		2023/04/25									
1 PLACE	±	APPR: HTHYAGARAJ		2023/04/26									
0 PLACES	±	INITIAL REVISION:									PRODUCT CUSTOMER DRAWING		
DRAFT WHERE APPLICABLE MUST REMAIN WITHIN DIMENSIONS		THIRD ANGLE PROJECTION	DRAWING	SERIES	MATERIAL NUMBER	CUSTOMER						SHEET NUMBER	
			D-SIZE	204365	2043650018	GENERAL MARKET						1 OF 1	