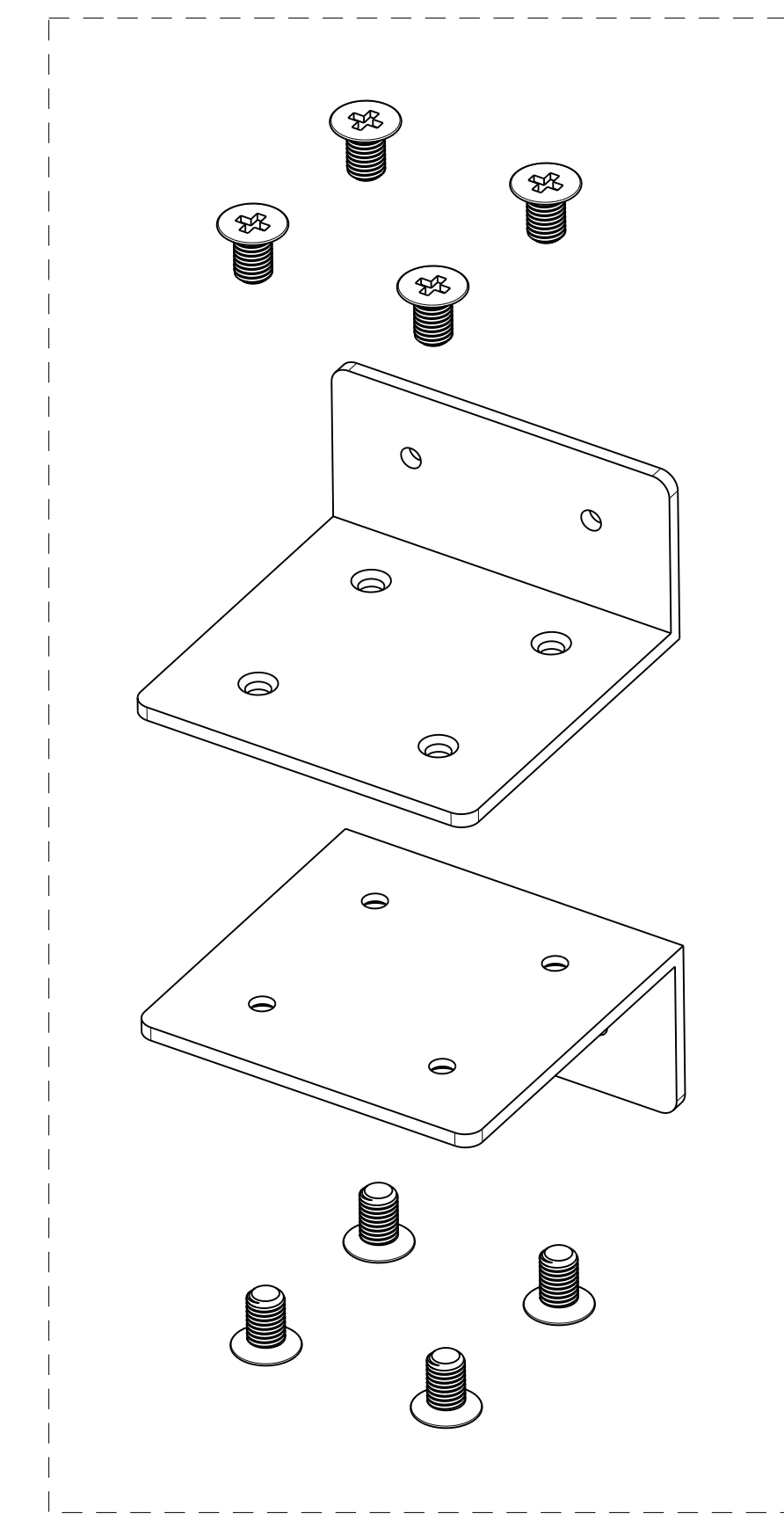
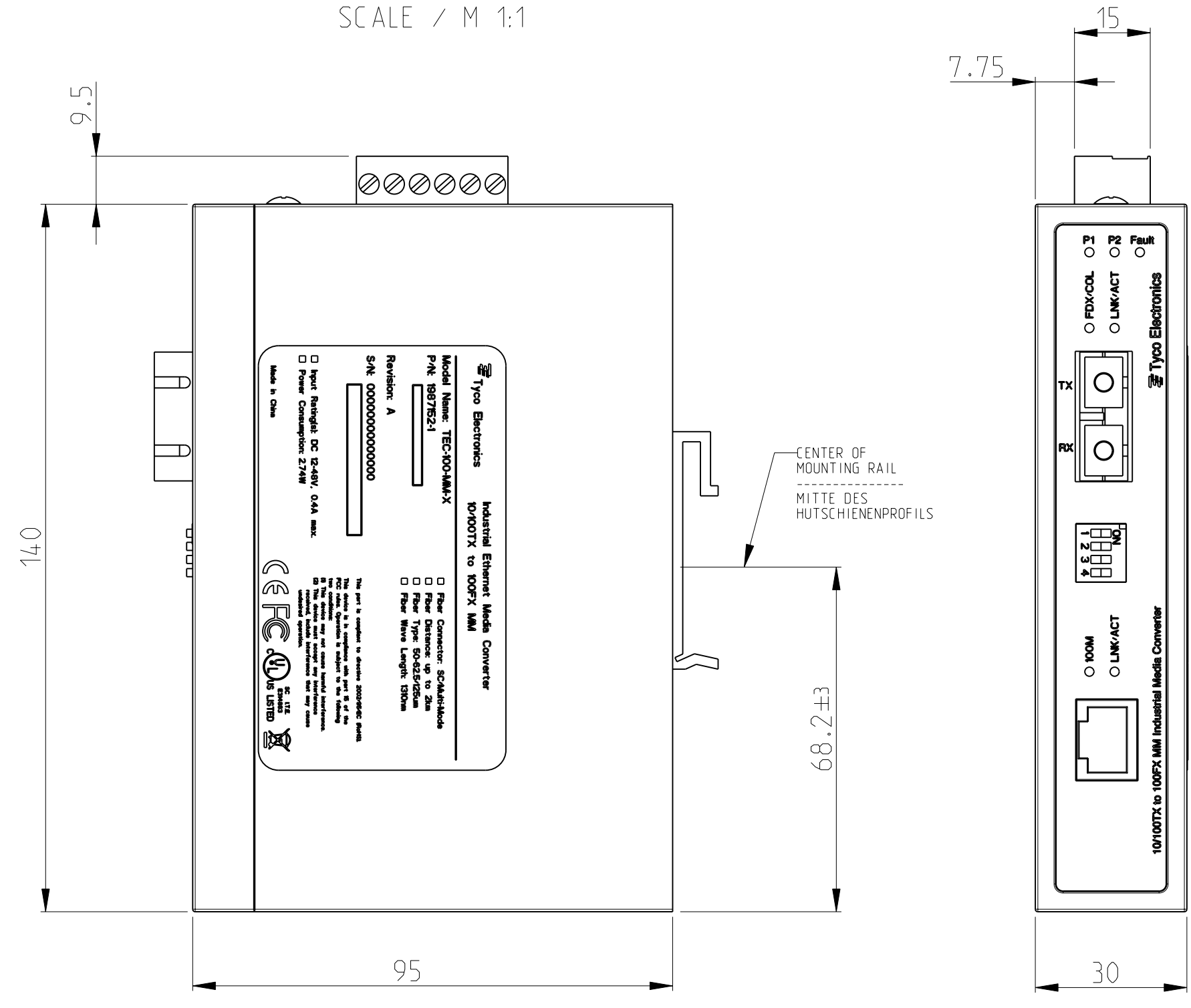


LOC	DIST	REV	DATE	BY	APPV
A1	-	A1	12SEP2007	STO	R.K.
		A2	15APR2008	STO	R.K.

1987152-1 AS SHOWN

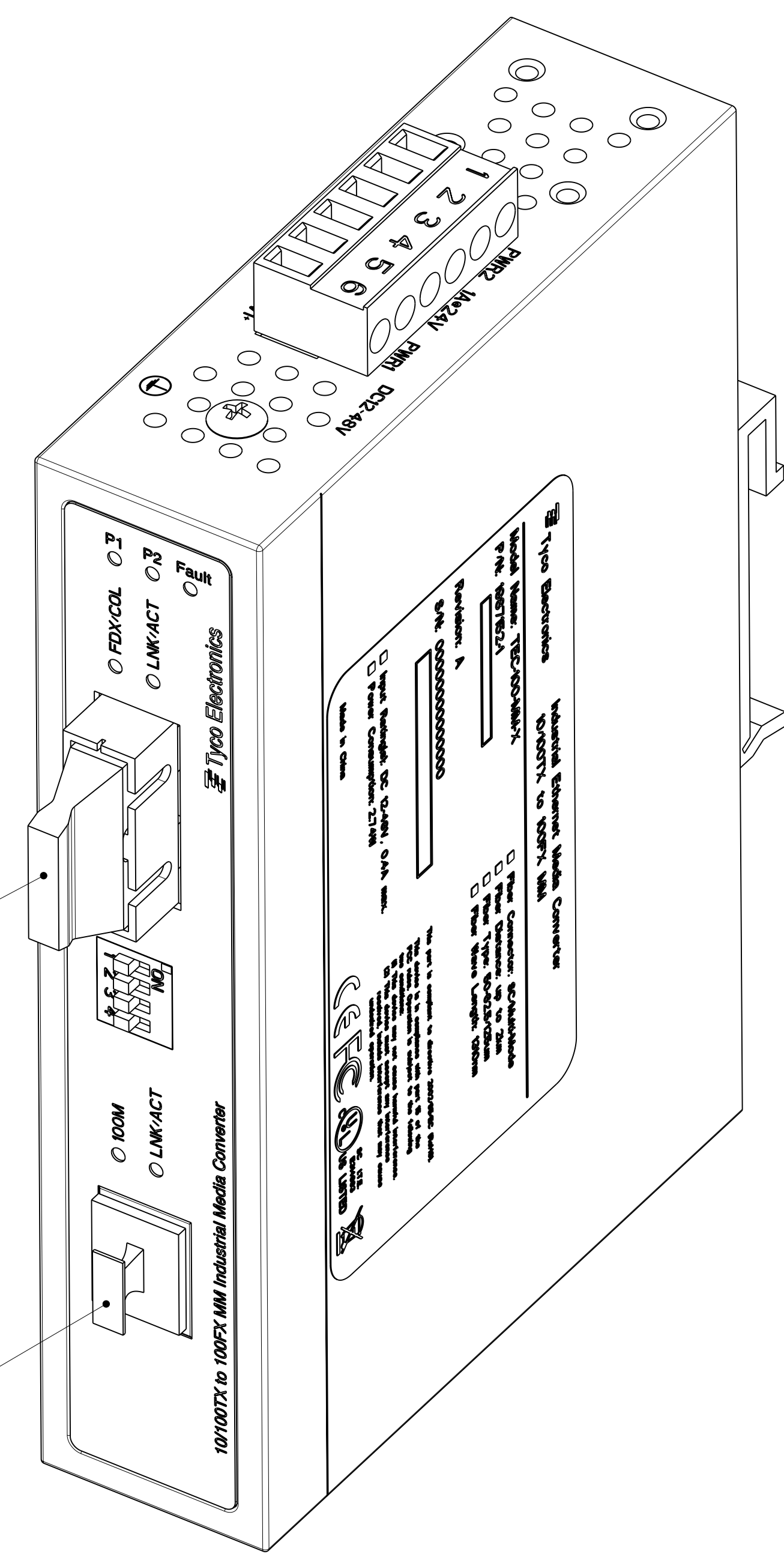
SCALE / M 1:1



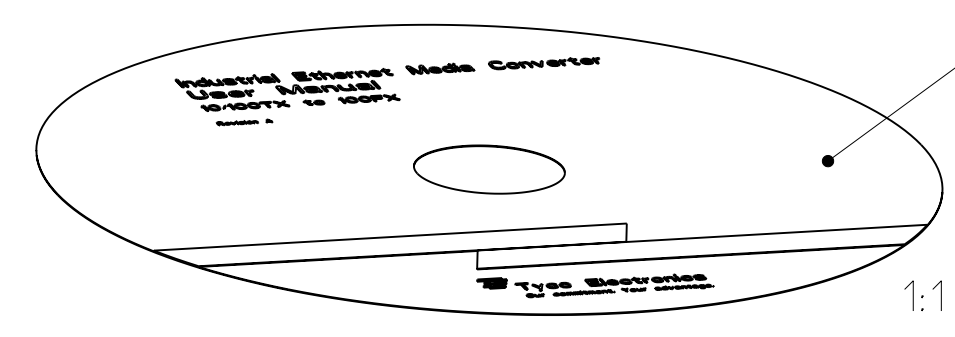
W ALL MOUNTING KIT
 ENCLOSED
 W ANDMONTAGE-BAUSATZ
 BEILIEGEND

DUST COVER
 FOR FIBER PORT
 1 x ENCLOSED
 STAUBSCHUTZKAPPE
 FUER FASER-
 OPTISCHEN EINGANG
 1 x BEILIEGEND

DUST COVER
 FOR RJ45 PORT
 1 x ENCLOSED
 STAUBSCHUTZKAPPE
 FUER RJ45-EINGANG
 1 x BEILIEGEND



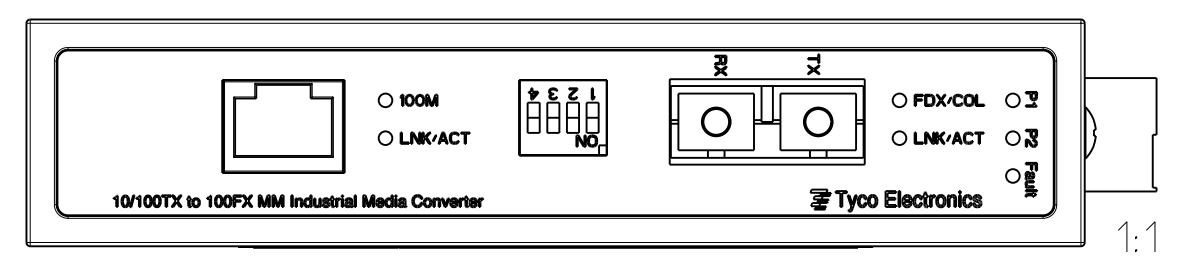
1987152-1 AS SHOWN



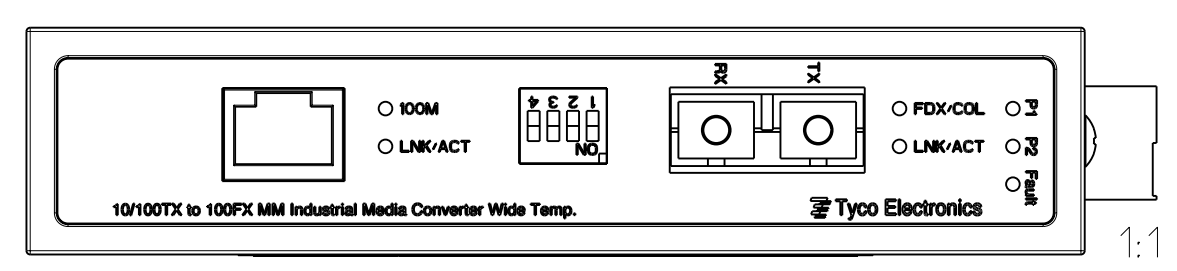
USER MANUAL CD
 ENCLOSED
 BED IENUNSANLEITUNGS-CD
 BEILIEGEND

HARDWARE SPECIFICATION	
1	ETHERNET STANDARD COMPLIANCE IEEE 802.3 - 10BASE-T IEEE 802.3u - 100BASE-TX AND 100BASE-FX IEEE 802.3x - FLOW CONTROL AND BACK PRESSURE
2	SWITCH ARCHITECTURE STORE-AND-FORWARD SWITCHING ARCHITECTURE LINK LOSS FORWARD (LLF) AND LINK FAULT PASS-THROUGH (LFP)
3	DIP SWITCH 1: ON: PORT/POWER ALARM ENABLED OFF: PORT/POWER ALARM DISABLED 2: ON: LFP AND LFP DISABLED OFF: LFP AND LFP DISABLED 3: ON: 100BASE-FX HALF MODE OFF: 100BASE-FX FULL MODE 4: ON: MEDIA MODE OFF: SWITCHING MODE
4	ETHERNET PORTS - 10/100TX RJ-45 WITH AUTO MDI/MDI-X SUPPORT - 100FX SC CONNECTOR FOR MULTI-MODE (MM), WAVE LENGTH 1310nm MULTI-MODE FIBER: 50/125µm-62.5/125µm, MAX. DISTANCE 2km
5	LED PER UNIT: POWER 1 (GREEN), POWER 2 (GREEN), FAULT (RED) FIBER PORT: LINK/ACTIVITY (GREEN), HALF/FULL DUPLEX (YELLOW) RJ-45 PORT: LINK/ACTIVITY (GREEN), 10/100Mbps (YELLOW)
6	POWER SUPPLY WIDE RANGE SUPPLY: 12 TO 48 V DC REVERSE POLARITY PROTECTED OVERLOAD CURRENT PROTECTED (RE-SETTABLE FUSE)
7	POWER CONSUMPTION 2.74 WATTS

FRONT PANEL 1987152-1



FRONT PANEL 1987152-2



1987152-2	1987152-1	QUANTITY STUECK	ITEM NO. POS.	DESCRIPTION BENENNUNG
1	-	2		10/100TX to 100FX MM MEDIA CONVERTER TEC-100-MM-XE WIDE OPERATING TEMPERATURE RANGE -40 °C TO 75 °C
-	1	1		10/100TX to 100FX MM MEDIA CONVERTER TEC-100-MM-X STANDARD OPERATING TEMPERATURE RANGE -10 °C TO 60 °C

TYCO ELECTRONICS
 ORDER NO.
 BESTELL-NR.

DIMENSIONS MASSENEIEN: (mm)		TOLERANCES, UNLESS OTHERWISE SPECIFIED: ALLGEMEINTOLERANZEN		DWN S.STOLZ 12SEP2007		Tyco Electronics AMP GmbH 64625 Bensheim (Germany)	
0	PLC	±1		C.KR B.BERGNER 12SEP2007		NAME INDUSTRIAL ETHERNET MEDIA CONVERTER TEC-100-MM-X(E)	
1	PLC	±1		APVD P.KRAEMER 12SEP2007		PRODUCT SPEC 108-94.083	
2	PLC	±1		MATERIAL		APPLICATION SPEC VERARBEITUNGSPEZ.	
3	PLC	±1		WEIGHT GEWICHT 425 g		SIZE 100779	
4	PLC	±1		DRAWING NO. ZEICHNUNGS-NR. 1987152		RESTRICTED TO NUR FUER	
CUSTOMER DRAWING		/KUNDENZEICHNUNG		SCALE MASSSTAB 2:1		SHEET BLATT 1 OF 1	