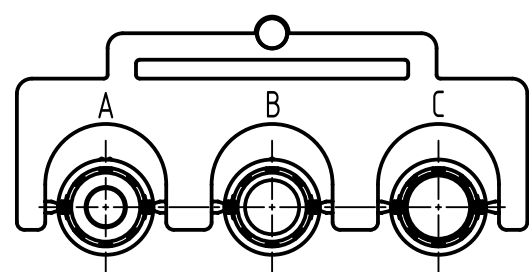
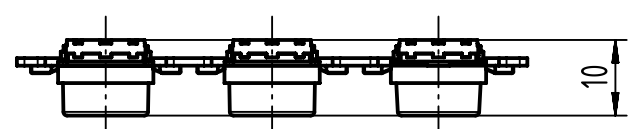
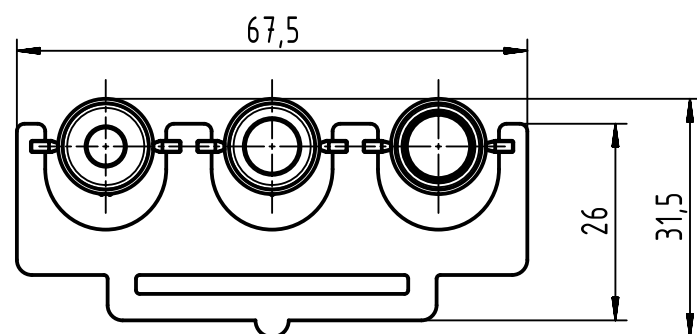


A

B

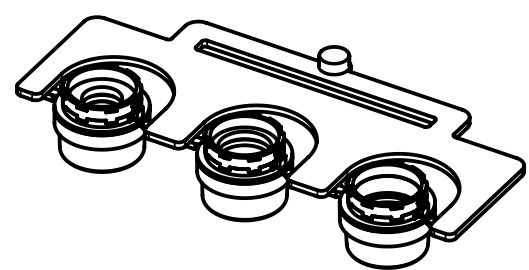
C


D



Sealing insert (A)- cable diameter 4.5-5.4 mm  
 Sealing insert (B)- cable diameter 5.4-7.2 mm  
 Sealing insert (C)- cable diameter 7.2-8.8 mm

10 pcs. in a poly-bag



|   |  |  |  |                       |                           |  |
|---|--|--|--|-----------------------|---------------------------|--|
|  | All Dimensions in mm<br>Original Size DIN A4 |  | Scale<br>1:1                                     | Free size tol.        |                           | Ref.   |
|   | All rights reserved<br>Department EC PD - RO |  | Created by<br>TAMAS                              | Inspected by<br>AVRAM | Standardisation<br>KOHLER | Date<br>2016-05-23                                       |
| HARTING Electronics GmbH<br>D-32339 Espelkamp                                       |  |  | Title<br>M12 Slim Design comb with seals 10 pcs. |                       |                           | Doc-Key / ECM-Nr.<br>100221978/UGD/003/A<br>500000104796 |
|   |  |  | Type<br>TB                                       | Number<br>21010102038 |                           | Rev. A<br>Page 1/1                                       |