

NOTES:

1- ONLY THE ITEMS WITH QUANTITIES SPECIFIED ON PARTS LIST ARE USED ON THIS APPLICATOR.

△ USED IN PLACE OF ITEM 38 WHEN INSULATION CRIMP IS NOT USED.

△ GUARD MUST BE IN PLACE WHEN OPERATING APPLICATOR IN AMP-O-LECTRIC PRESS.

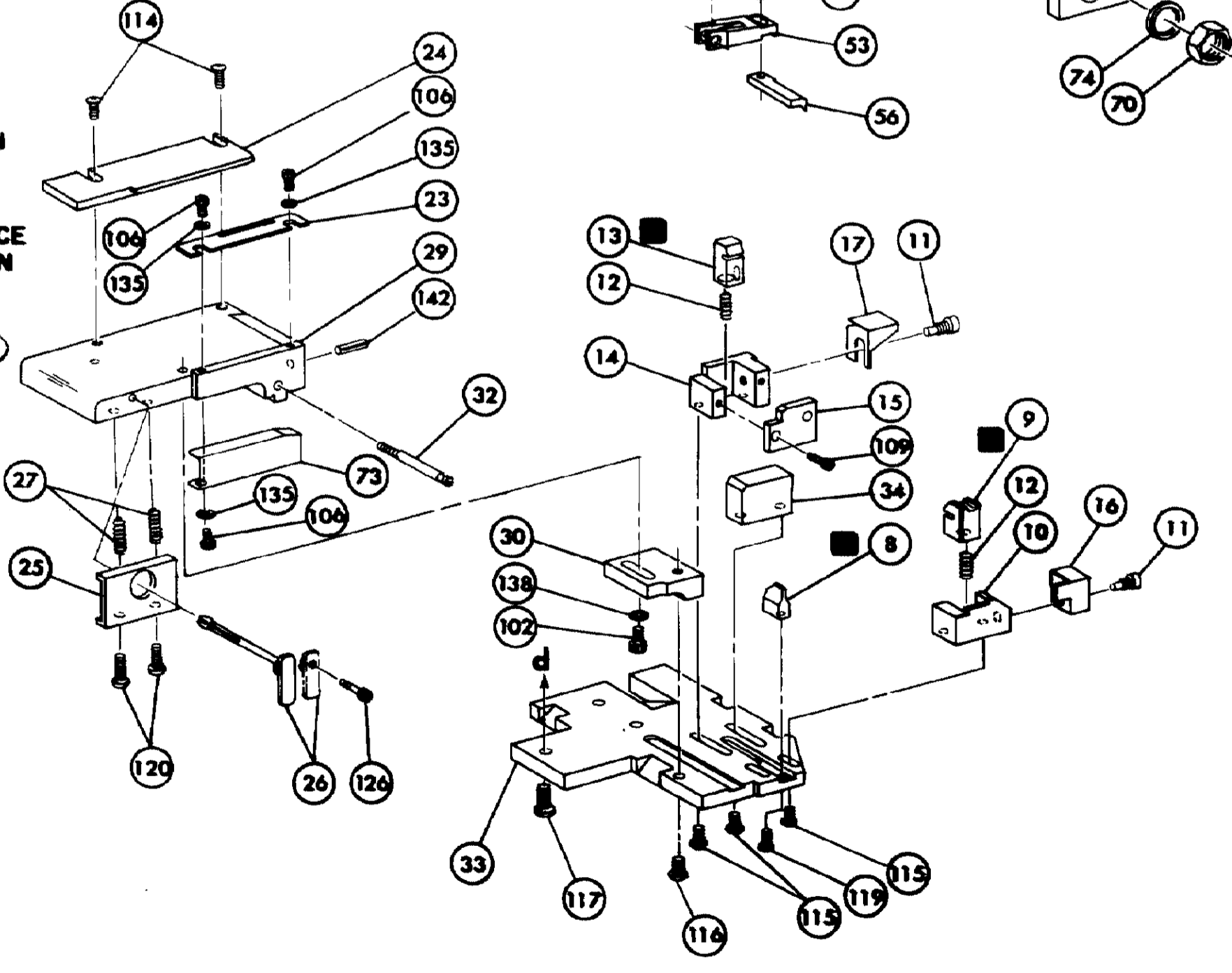
4. ITEMS WITH QTY. OF REF. SPECIFIED (EXCEPT ITEM 79) ARE USED ON ITEM 46. CUT TO LENGTH AT ASS'Y.

KEY:

■ RECOMMENDED SPARE PARTS CUSTOMER RESPONSIBLE FOR REPLACEMENT.

▲ LUBRICATE DAILY USING NO. 20 MACHINE OIL.

● GREASE LIGHTLY



REF.	PART NO	DESCRIPTION	QTY	REF.	PART NO	DESCRIPTION	QTY
REF.	21045-3	RING, RETAINING 'C' (.187 DIA) FEED FINGER PIN	145	REF.	454220-1	CAP, HOUSING	59
REF.	5-21028-1	PIN, SLOT SPR (.125 DIA X .50) ADJ ROD	143	REF.	454485-1	HOUSING	58
1	4-21028-0	PIN, SLOT SPR (.093 DIA X .75) STR G PLATE	142	1	610545-2	PAWL, FEED	57
REF.	1-21030-1	PIN, DOWEL (.187 DIA X .50) LEVER	141	REF.	240624-1	PIN, FEED FINGER	55
REF.	1-21030-6	PIN, DOWEL (.187 DIA X 1.25) HOUSING	140	REF.	691499-1	SPRING, FEED FINGER	54
—	21024-5	WASHER, LOCK (NO 10) LUB ASSY	139	REF.	690541-1	FINGER, FEED	53
1	21024-5	WASHER, LOCK (NO 10) STRIP GUIDE ADJ BLOCK	138	REF.	455679-1	LEVER, TERMINAL FEED ARM	52
REF.	21024-5	WASHER, LOCK (NO 10) ADJ PLATE	137	1	811242-2	BUMPER, HOLDDOWN	51
REF.	21024-5	WASHER, LOCK (NO 10) FEED GUIDE ROD	136	1	670753-1	SPACER, TONKER	50
3	21057-2	WASHER, LOCK (NO 4) FRONT STRIP GUIDE	135	1	7-21002-1	BOLT, CRIMPER	49
1	21024-4	WASHER, LOCK (NO 8) FEED FINGER	134	1	670602-5	CAM FEE-FEED 1/8 STROKE	48
2	21024-4	WASHER, LOCK (NO 8) DEPRESSOR	133				47
1	21024-4	WASHER, LOCK (NO 8) STRIPPER	132	1	459456-1	APPLICATOR, BASIC (SUB ASSY)	46
REF.	21899-4	WASHER, FLAT (5/16 DIA) SCREW ADJ	131	1	690191-1	PLUG, NYLON	45
—	21899-2	WASHER, FLAT (NO 10) LUB ASSY	130	1	455673-1	RAM	44
1	21068-5	NUT, HEX MACH (6-32) HOLDDOWN	129	1	690125-1	WASHER, LAMINATED	43
REF.	21068-5	NUT, HEX MACH (6-32) FEED ADJ	128	1	690124-1	WASHER, RAM	42
—	22353-8	SCR, SHLD. (.187 DIA X .250 LG) DRAG LEVER	126	2	23241-6	DISC, SPACER	41
1	456567-1	SCR SHLD. (.38 DIA X .125 LG) STRIPPER	125	2	690170-1	BALL, STEEL	40
1	21009-2	SCR, SKT SET (1/4-20 X .25) (LOC-WEL) RAM	124	1	670142-1	SPRING, COMPRESSION	39
REF.	3-21064-2	SCR, RD HD MACH (6-32 X 1.50) FEED ADJ	122	1	670141-7	DISC, INSULATION	38
2	2-21002-9	SCR, BUT HD SKT CAP (10-32 X .75) DRAG	121	1	22480-5	WASHER, SPRING	37
1	2-21002-9	SCR, BUT HD SKT CAP (8-32 X .38) (LOC-WEL) ANVIL	120	1	690212-1	POST, RAM	36
REF.	2-21002-9	SCR, BUT HD SKT CAP (10-32 X .75) CAP	118	1	690212-1	SUPPORT, TERMINAL	35
REF.	1-24073-9	SCR, BUT HD SKT CAP (1/4-20 X .75) HOUSING	117	1	670786-8	PLATE, BASE	34
REF.	2-21002-7	SCR, BUT HD SKT CAP (10-32 X .50) SG ADJ BLOCK	116	REF.	455675-1	SCREW, ADJUSTMENT	33
4	2-21002-2	SCR, BUT HD SKT CAP (8-32 X .50) SHEAR	115	1	690432-3	BLOCK, STRIP GUIDE ADJ	30
2	2-21002-2	SCR, BUT HD SKT CAP (8-32 X .50) R STRIP GUIDE	114	2	455671-9	PLATE, STRIP GUIDE	29
1	2-21003-0	SCR, FLAT HD SKT CAP (6-32 X .50) CAM	113	2	1-455338-0	SPACER, FRONT SHEAR DEPRESSOR	28
—	3-21000-4	SCR, SKT HD CAP (10-32 X .38) LUBRICATOR ASSY	111	1	1-22234-0	SPRING, DRAG	27
2	23030-1	SCR, SKT HD CAP (6-32 X .25) (LOC-WEL) CP DISC	110	1	670546-1	LEVER, DRAG RELEASE	26
2	2-21000-9	SCR, SKT HD CAP (8-32 X .74) DEPRESSOR	108	1	240712-1	DRAG, STOCK	25
1	2-22603-0	SCR, HEX HD MACH (8-32 X .31) FEED FINGER	107	REF.	4-22284-9	GUIDE STRIP (REAR)	24
3	1-21000-3	SCR, SKT HD CAP (4-40 X .25) F STRIP GUIDE	106	1	458950-1	GUIDE, STRIP (FRONT)	23
1	2-21000-7	SCR, SKT HD CAP (8-32 X .50) STRIPPER	105	1	458949-1	SPRING, FEED RETURN	22
REF.	3-21000-7	SCR, SKT HD CAP (10-32 X .75) FEED ROD GUIDE	104			ARM, STRIPPER	20
REF.	3-21000-6	SCR, SKT HD CAP (10-32 X .62) FEED ADJ BLOCK	103			STRIPPER	19
1	3-21000-4	SCR, SKT HD CAP (10-32 X .38) SG ADJ BLOCK	102	1	671667-1	HOLDER, TERMINAL	18
REF.	3-21000-4	SCR, SKT HD CAP (10-32 X .38) PIVOT BLOCK	101			GUARD, CHIP (REAR)	17
REF.	455749-1	GUARD WINDOW	79			GUARD, CHIP (FRONT)	16
—	1-465184-0	LUBRICATOR ASSY	78			PLATE, SHEAR (REAR)	15
		OIL, LUBRICATING	77	1	5-22280-0	HOLDER, SHEAR (REAR)	14
			76	1	690461-1	SHEAR, FLOAT (REAR)	13
			75	1	690459-1	SPRING, SHEAR	12
			74	1	454270-1	STOP, SHEAR	11
REF.	458109-1	WASHER, SPECIAL	74	1	2-670512-8	HOLDER, SHEAR (FRONT)	10
1	454377-3	PLATE, STRIP GUIDE COVER	73	1	2-240641-5	SHEAR, FLOAT (FRONT)	9
2	690603-1	SPRING, ASSIST	72	1	455289-7	ANVIL	8
REF.	690517-1	SPACER	71	1	233011-4	SPACER, DEPRESSOR (REAR)	7
	22594-8	NUT, HEX	70	1	455888-1	DEPRESSOR, SHEAR (REAR)	6
	240628-1	PLATE, ADJUSTMENT	69	1	456404-2	DEPRESSOR, SHEAR (FRONT)	5
	240626-1	SHAFT, PIVOT	68	1		SPACER, TUBULAR, INS CRIMPER	4
	240633-1	BUSHING	67	1		CRIMPER, INSULATION	3
	455680-1	LEVER, INTERMEDIATE	66	1		SPACER, CRIMPER	2
	240629-1	BLOCK, PIVOT	65			CRIMPER, WIRE	1
	240632-2	SCREW, ADJUSTMENT FEED ROD	64				
	240659-3	PIN, CAM ROLLER	63				
	240658-1	ROLLER, CAM	62				
	454398-2	ROD, FEED	61				
	454178-1	GUIDE, FEED ROD	60				

REMARKS	NO	REV
APPL USED ON MACHINE PART NO	MACH SERIAL NO	DISTRIBUTION
CUSTOMER NAME	APPL SERIAL NO	ORIGINAL
ADDRESS	PURCHASE ORDER	CUSTOMER COPY
CITY	ENG APP	FIELD ENG COPY

CRIMPING DATA				APPLICATOR WILL APPLY	
PAD LTR	CRIMP HEIGHT	WIRE SIZE	WIRE STRIP LENGTH		
A	.062	(2) 20's			6718
B	.057	18			
C	.054	(2) 22's			
D	.049	22			

CRIMP	SIZE	TYPE	FEED	APPL INST
WIRE	.090	F	.438	A1 8040
INSUL	.155	F		

WIRE RANGE: (1) 22 - (8) 22
INSULATION RANGE: .055 NOM.
PRESS NO: 365435-5

REMARKS: PRE-FEED AMP-O-LECTRIC

I. D. PLATE (REF): 461264-1

SET UP GAGE 10-1
REV PER ECN 2-4-73
OR APP
AMP INCORPORATED
Harrisburg, Pa

ECN A15758A
REV PER ECN 2-4-73
REV ITEM 37 PER R23112-37

MINIATURE QUICK CHANGE APPLICATOR
SIDE FEED (SELF-REVERSING CONTROL)

THIS INFORMATION IS CONFIDENTIAL AND IS DISCLOSED TO YOU ON THE CONDITION THAT YOU WILL NOT REPRODUCE, COPY, OR TRANSMIT IT IN ANY MANNER WITHOUT THE WRITTEN AUTHORIZATION OF AMP INCORPORATED, HARRISBURG, PA.