

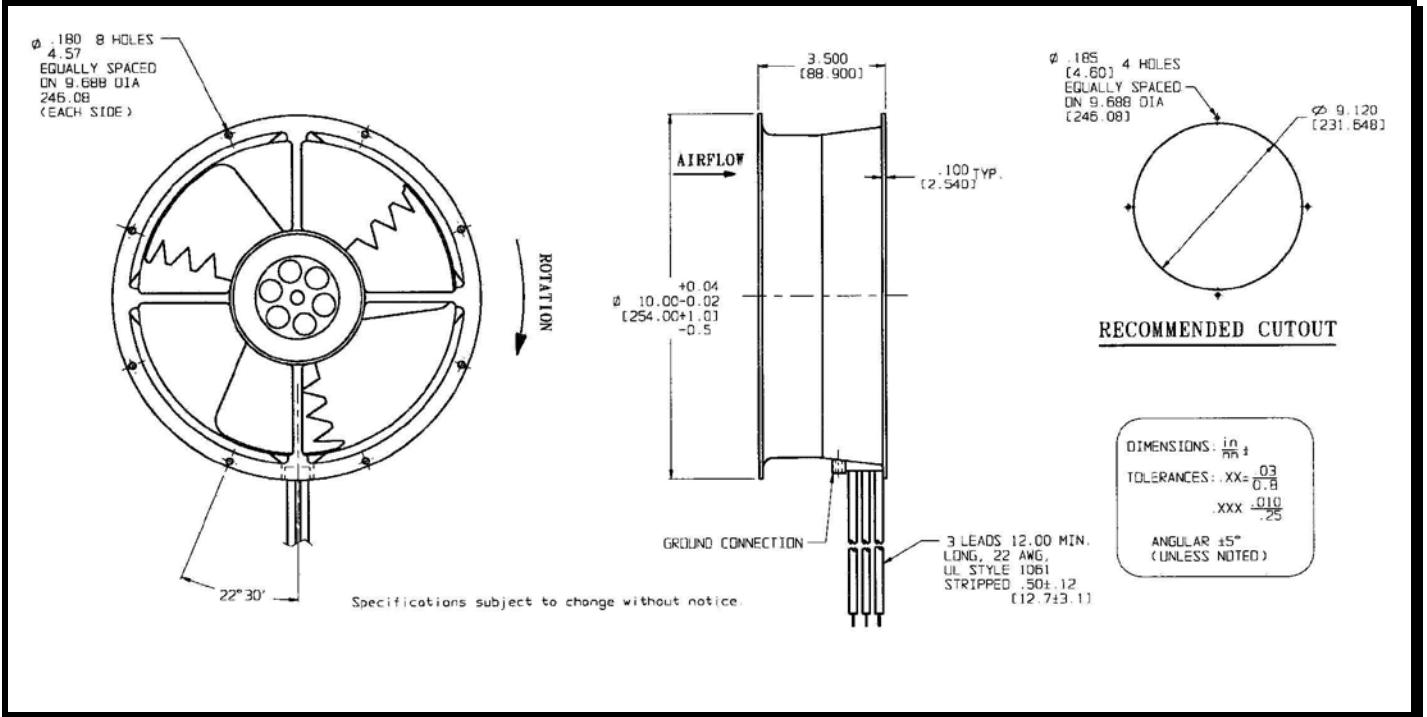
# SPECIFICATIONS



**Model Number:** CD24B7  
**Part Number:** 17000298A

**Version:** 00  
**Nov. 09, 2015**

## Mechanical Drawing:



### Motor:

Nominal Voltage = 24 vdc  
 Operating Voltage Range = 12 - 28 vdc  
 Nominal Running Current = 1.20 amps  
 Locked Rotor Current = 3.00 amps  
 Running Power = 29.0 watts  
 Average Speed = 1650 rpm  
 Bearings = Ball  
 Air Flow = 550 cfm  
 Noise = 49.1dBA

### Construction:

Venturi: Die-Cast Aluminum, Black  
 Propeller: Plastic, Black, UL 94V-0

### Life Expectancy:

This fan is designed for continuous duty life of 60,000 hours at 40°C.

### Agency Approvals:

UL, CUR, CE

### Additional Features:

Brushless DC Motor  
 Polarity Protected  
 Locked Rotor Protection  
 Automatic Restart Capability  
 Operating Temperature: -10°C to 70°C  
 Storage Temperature: -40°C to 85°C

### Tachometer Specifications:

Output: 5 volt TTL Compatible  
 $I_c$ : 5 vdc Typical  
 Pulses Per Revolution: 2  
 Isolated: No

### Termination:

12" Lead wires, 22 AWG, UL 1061  
 Red = Power (+)  
 Black = Return (-)  
 Blue/White = Tach (Output)