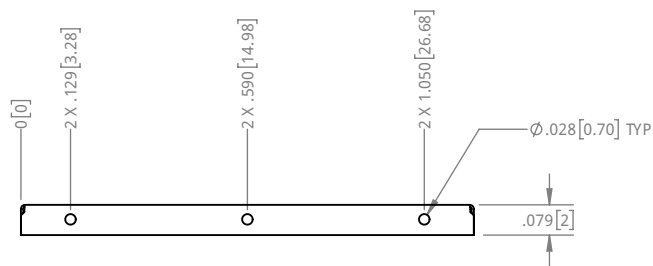
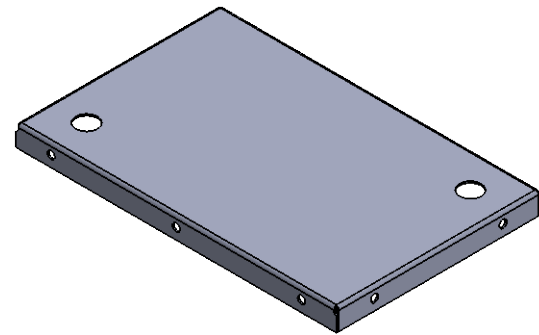
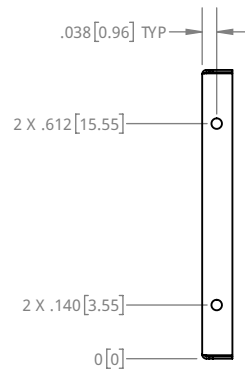
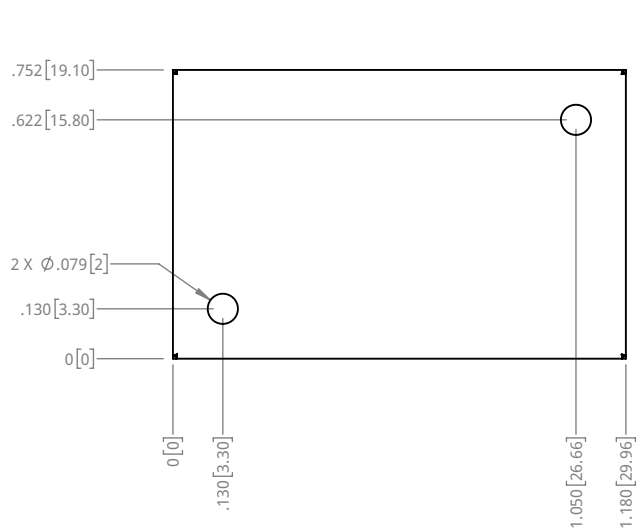


NOTES:

- MATERIAL: 0.006" TIN PLATED STEEL PER ASTM A623/A624



PROPRIETARY NOTICE: THESE DRAWINGS, LISTS OR SPECIFICATIONS ARE THE CONFIDENTIAL INFORMATION AND/OR TRADE SECRET OF 3G SHIELDING SPECIALTIES, P., AND ISSUED IN STRICT CONFIDENCE. PROJECT AS AUTHORIZED BY 3G SHIELDING SPECIALTIES IN WRITING. THESE DRAWINGS, LISTS OR SPECIFICATIONS SHALL NOT BE REPRODUCED, TRANSMITTED, USED FOR THE PHYSICAL MANUFACTURE OR SALE OF EQUIPMENT OR USED FOR ANY OTHER PURPOSE OTHER THAN EVALUATION.

UNLESS OTHERWISE SPECIFIED
U/M TOLERANCE ±0.005
IN/CHES

ROHS
COMPLIANCE
2011/65/EU

DATE 16-01-26



PART NUMBER PIC-S-209C	REV. 0
DESCRIPTION SHIELD COVER	
SCALE 2:1	SHEET 1 OF 1