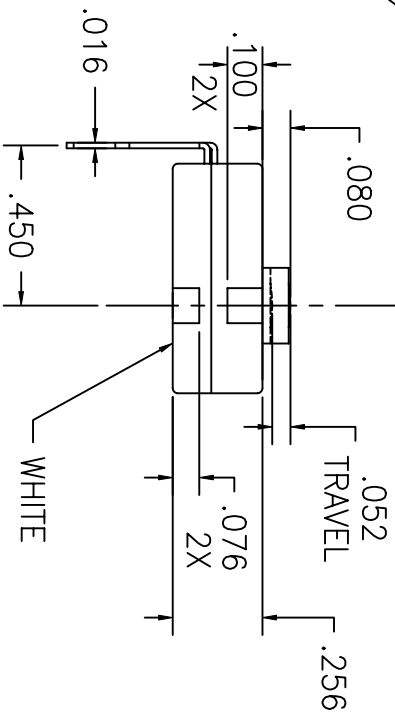
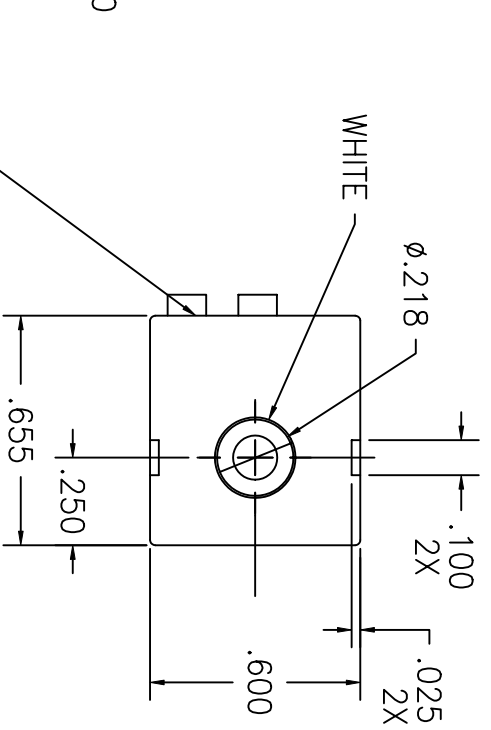
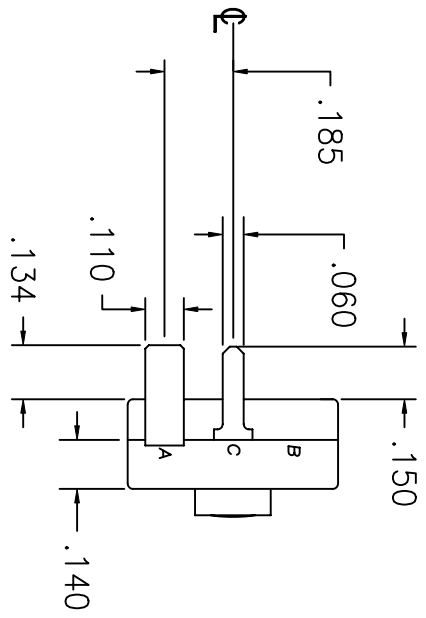


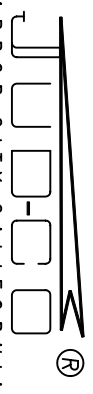
| LTR | EN | DESCRIPTION | APPR | BY | DATE |
|-----|----|-----------------|------|----|----------|
| A | - | INITIAL RELEASE | MT | DC | 12-27-07 |



JUDCO INVENTORY NO. 40-4681-00
 SWITCH TYPE: MOMENTARY, NORMALLY OPEN

CUSTOMER: DIGI-KEY
 CUSTOMER PN: TBD
 APPROVED BY: _____
 DATE: _____

DIMENSIONS IN INCHES
 DIMENSIONS ARE REFERENCE



TITLE
 J-987-2 W/BENT TERMINALS

DRAWN: DC 12-27-07
 APPR: KJ 12-27-07
 ENG: IS 12-27-07

DWG. NO. 1415-1277

1415U1277A.DWG

SHEET

1 OF 1

This document embodies a product, component, and/or design proprietary to JUDCO MANUFACTURING INC., and which is protected either as a trade secret, by U.S. Patent, or by copyright. It may not be used in any way without written express consent of JUDCO MANUFACTURING INC.