

NOTES:

1. MATERIALS AND FINISHES:

- BODY - BRASS, NICKEL PLATING
- CONTACT - BRASS, GOLD PLATING
- INSULATORS - PTFE, NATURAL
- FERRULE - BRASS, NICKEL PLATING
- GASKET - SILICONE RUBBER, RED

2. ELECTRICAL:

- A. IMPEDANCE: 50 OHM
- B. FREQUENCY RANGE: DC-20 GHz
- C. VSWR (RETURN LOSS): 1.20 MAX (-20.83 dB MIN) DC - 6 GHz
1.28 MAX (-18.22 dB MIN) 6 - 12 GHz

D. DIELECTRIC WITHSTANDING VOLTAGE: 1000 VRMS, MIN.

3. MECHANICAL:

- A. DURABILITY: 500 CYCLES, MIN.
- B. TEMPERATURE RANGE: -65°C TO +165°C

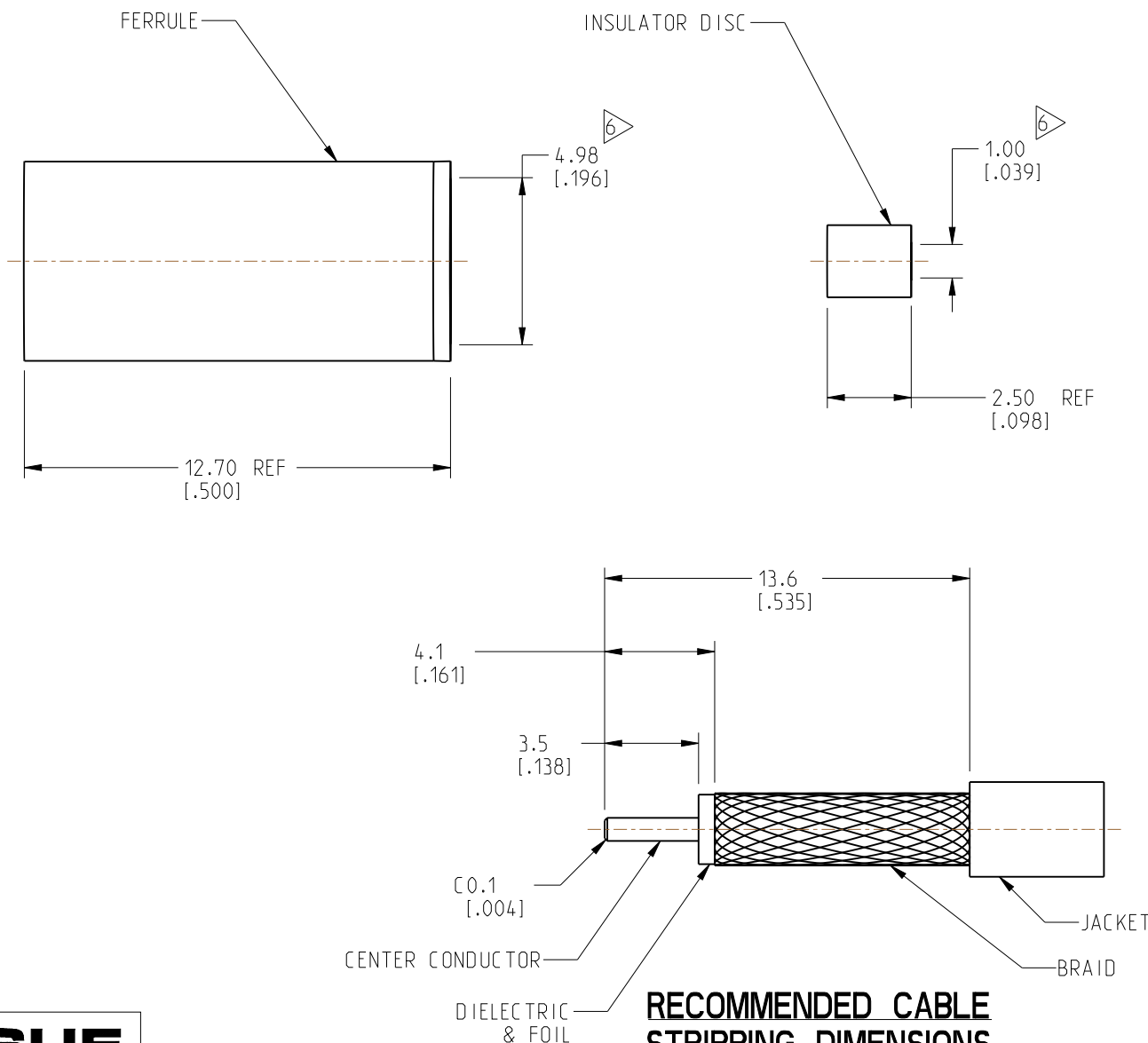
4. PACKAGING:

- A. QUANTITY: SINGLE PACK
- B. MARKING: PACKAGING TO BE MARKED
"AMPHENOL RF, 901-10851, AND DATE CODE"

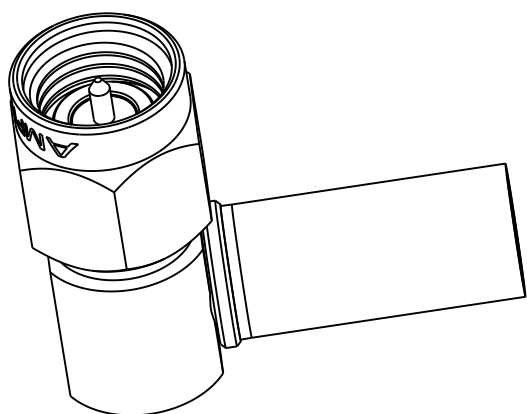
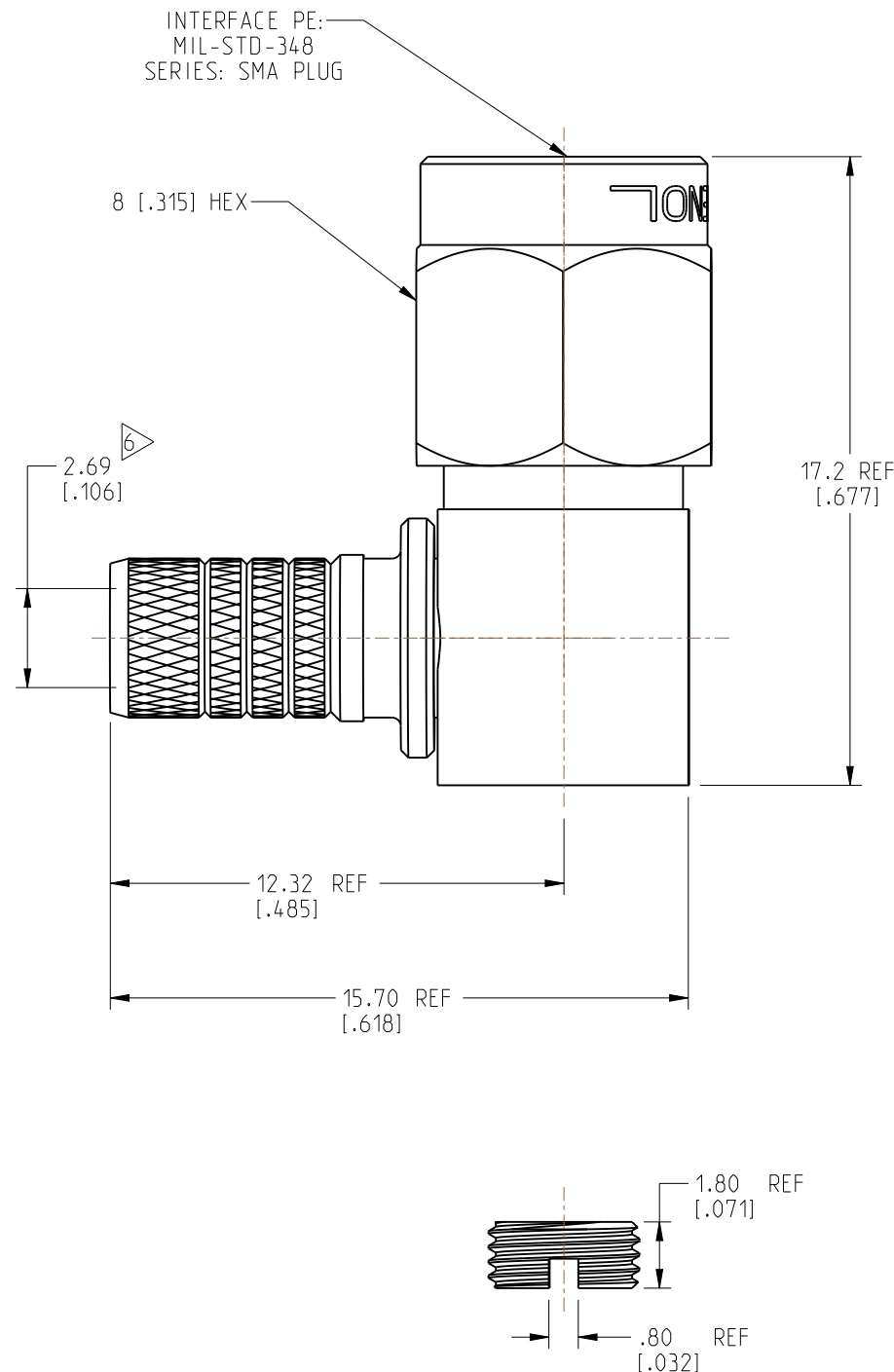
5. INSTRUCTIONS

- A. TRIM CABLE AS SHOWN.
- B. SLIDE HEAT SHRINK TUBE, FERRULE & INSULATOR DISC ONTO CABLE.
- C. INSERT CABLE, UNTIL IT BOTTOMS, WITH FOIL ENTERING CONNECTOR AND BRAID OVER KNURL.
- D. CONTACT PIN TO SOLDER.
- E. HAND TIGHTEN CAP AFTER SOLDERING.
- F. CRIMPED FERRULE HEX CRIMP SIZE .213"
- G. APPLY HEAT SHRINK TUBE OVER FERRULE.

6. CABLE ENTRY DIMENSIONS



| REVISIONS | | | | |
|-----------|--------------------|-----------|-----|----|
| REV | DESCRIPTION | DATE | ECN | BY |
| 1 | PRELIMINARY DESIGN | 15-MAR-22 | -- | CC |



SCALE 3.000

PRELIMINARY ISSUE

CUSTOMER OUTLINE DRAWING
ALL OTHER SHEETS ARE FOR INTERNAL USE ONLY

NOTICE: These drawings, specifications, or other data (1) are, and remain the property of Amphenol corp. (2) must be returned upon request; and (3) are confidential and not to be disclosed to any person other than those to whom they are given by Amphenol Corp. The furnishing of these drawings, specifications, or other data by Amphenol Corp., or to any other person to anyone for any purpose is not to be regarded by implication or otherwise in any manner licensing, granting rights to permitting such holder or any other person to manufacture, use or sell any product, process or design, patented or otherwise, that may in any way be related to or disclosed by said drawings, specifications, or other data.

UNLESS OTHERWISE SPECIFIED
DIMENSIONS ARE METRIC (INCHES) AND TOLERANCES ARE:
 <0.5mm = ±0.05mm [$\pm 0.020 = \pm 0.002$]
 0.5 - 6mm = ±0.1mm [$\pm 0.020 - 0.236 = \pm 0.004$]
 >6.00 - 30mm = ±0.2mm [$\pm 0.236 - 1.181 = \pm 0.008$]
 >30.00 - 120mm = ±0.3mm [$\pm 1.181 - 4.725 = \pm 0.012$]
 ANGLES = ±1°

MATERIAL
R/A SMA PLUG
FOR RTK044 CABLE

ENGR.1
C.CROTTY

ENGR.2

DATE
15-MAR-22

TITLE
R/A SMA PLUG
FOR RTK044 CABLE

SHEET NO. 2 OF 2

SCALE: 5.0:1.0

Amphenol RF

| | | |
|------|-----------------------|-----|
| SIZE | DRAWING NO. 901-10851 | REV |
| | ITEM NO. 901-10851 | 1 |
| | PART NO. 901-10851 | |

THIRD ANGLE PROJ.

REFERENCE
901-10737

EAR#
11040