

C30807EH, C30808EH, C30822EH, C30809EH and C30810EH Types **N-type Silicon PIN Photodetectors**



Overview

The family of N-type silicon PIN photodiodes is designed for use in a wide variety of broad band low light level applications covering the spectral range from below 400 to over 1100 nanometers.

The wide range of photosensitive areas making up this series provides a broad choice in photosensitive areas and in time response characteristics. All the photodiodes are hermetically sealed in TO packages, and is anti-reflection coated to enhance responsivity at 900nm.

These characteristics make the devices highly useful in HeNe and GaAs laser detection systems and in optical demodulation, data transmission, ranging, and high-speed switching applications.

Recognizing that different applications have different performance requirements, Excelitas offers a wide range of customizations of these photodiodes to meet your design challenges. Responsivity and noise screening, custom device testing and packaging are among many of the application specific solutions available.

Key Features

- High responsivity
- Fast response time
- Low operating voltage
- Low capacitance
- Hermetically sealed packages
- RoHS Compliant

Applications

- Laser detection systems
- Photometry
- Data transmission
- Instrumentation
- High speed switching

N-type Silicon PIN Photodetectors

Table 1 – Mechanical and Optical Characteristics

Parameter	Symbol	C30807EH	C30808EH	C30822EH	C30809EH	C30810EH	Unit
Shape		Circular	Circular	Circular	Circular	Circular	
Package		TO-18	TO-5	TO-8	TO-8	TO-36	
Photosensitive Surface: Useful area	A	0.8	5	20	50	100	mm ²
Useful diameter	d	1	2.5	5	8	11	mm
Field of View: Nominal field of view α (see Figure 5)	FoV	60	85	94	56	77	Degrees
Nominal field of view α' (see Figure 5)		88	129	142	147	138	

Table 2 – Electro-Optical Characteristics

Case Temperature $T_a = 22\text{ }^\circ\text{C}$; at the DC reverse operating voltage $V=45\text{V}$, V_{op}

Parameter	Symbol	C30807EH			C30808EH			C30822EH			Unit
		Min	Typ	Max	Min	Typ	Max	Min	Typ	Max	
Breakdown Voltage	V_{br}	100			100			100			V
Operating Voltage	V_{op}		45			45			45		V
Responsivity at 900 nm at 1060 nm	R	0.5 0.1	0.6 0.15		0.5 0.1	0.6 0.20		0.5 0.1	0.6 0.20		A/W
Quantum Efficiency at 900 nm at 1060 nm	Q.E.	70 12	83 17		70 12	83 23		70 12	83 23		%
Total Dark Current at $V_{op} = 10\text{V}$ at $V_{op} = 45\text{V}$	I_d		2 10	1 50		5 30	25 150		10 50	50 250	nA
Noise Current <small>$f=10\text{kHz}$, $\Delta f=1.0\text{Hz}$</small>	i_n		0.06	0.42		0.1	0.7		0.13	0.9	pA/ $\sqrt{\text{Hz}}$
Capacitance	C_d		2.5	3		5	10		12	20	pF
Noise Equivalent Power at 900 nm at 1060 nm <small>$f = 100\text{kHz}$, $\Delta f = 1.0\text{Hz}$</small>	NEP		0.1 0.4	0.7 2.8		0.17 0.50	1.2 3.5		0.22 0.65	1.5 4.5	pW/ $\sqrt{\text{Hz}}$
Rise/Fall Time, $R_L = 50\Omega$, 900nm: 10% to 90% points 90% to 10% points	t_r t_f		3 6	5 10		12 13	20 20		12 13	20 20	ns

N-type Silicon PIN Photodetectors

Table 2 (continued) – Electro-Optical Characteristics

Case Temperature $T_a = 22\text{ }^\circ\text{C}$; at the DC reverse operating voltage $V=45\text{V}$, V_{op}

Parameter	Symbol	C30809EH			C30810EH			Unit
		Min	Typ	Max	Min	Typ	Max	
Breakdown Voltage	V_{br}	100			100			V
Operating Voltage	V_{op}		45			45		V
Responsivity at 900 nm at 1060 nm	R	0.5 0.1	0.6 0.20		0.5 0.1	0.6 0.20		A/W
Quantum Efficiency at 900 nm at 1060 nm	Q.E.	70 12	83 23		70 12	83 23		%
Total Dark Current at $V_{op} = 10\text{V}$ at $V_{op} = 45\text{V}$	I_d		25 70	130 350		83 300	400 1500	nA
Noise Current <small>$f=10\text{kHz}$, $\Delta f=1.0\text{Hz}$</small>	i_n		0.15	1.1		0.3	2.1	pA/√Hz
Capacitance	C_d		25	45		45	90	pF
Noise Equivalent Power at 900 nm at 1060 nm <small>$f = 100\text{kHz}$, $\Delta f = 1.0\text{Hz}$</small>	NEP		0.2 0.75	1.6 5.5		0.45 1.5	3.6 11	pW/√Hz
Rise/Fall Time, $R_L = 50\Omega$: 10% to 90% points 90% to 10% points	t_r t_f		12 13	20 20		15 20	25 30	ns

Table 3–Absolute – Maximum Ratings, Limiting Values

Parameter	Symbol	Minimum	Maximum	Unit	Remarks/Conditions
Reverse Bias Voltage			100	V	
Photocurrent Density : average value peak value	J_p		5 20	mA/mm^2	Continuous operation, at $T_a = 22\text{ }^\circ\text{C}$
Forward Current: average value peak value	I_F		10 20	mA	Continuous operation, at $T_a = 22\text{ }^\circ\text{C}$ (For 1 second duration, non-repetitive)
Storage Temperature	T_{stg}	-60	100	$^\circ\text{C}$	
Operating Temperature	T_o	-40	80	$^\circ\text{C}$	
Soldering			200	$^\circ\text{C}$	5 seconds, leads only

N-type Silicon PIN Photodetectors

Figure 1 – Typical Spectral Responsivity Characteristics

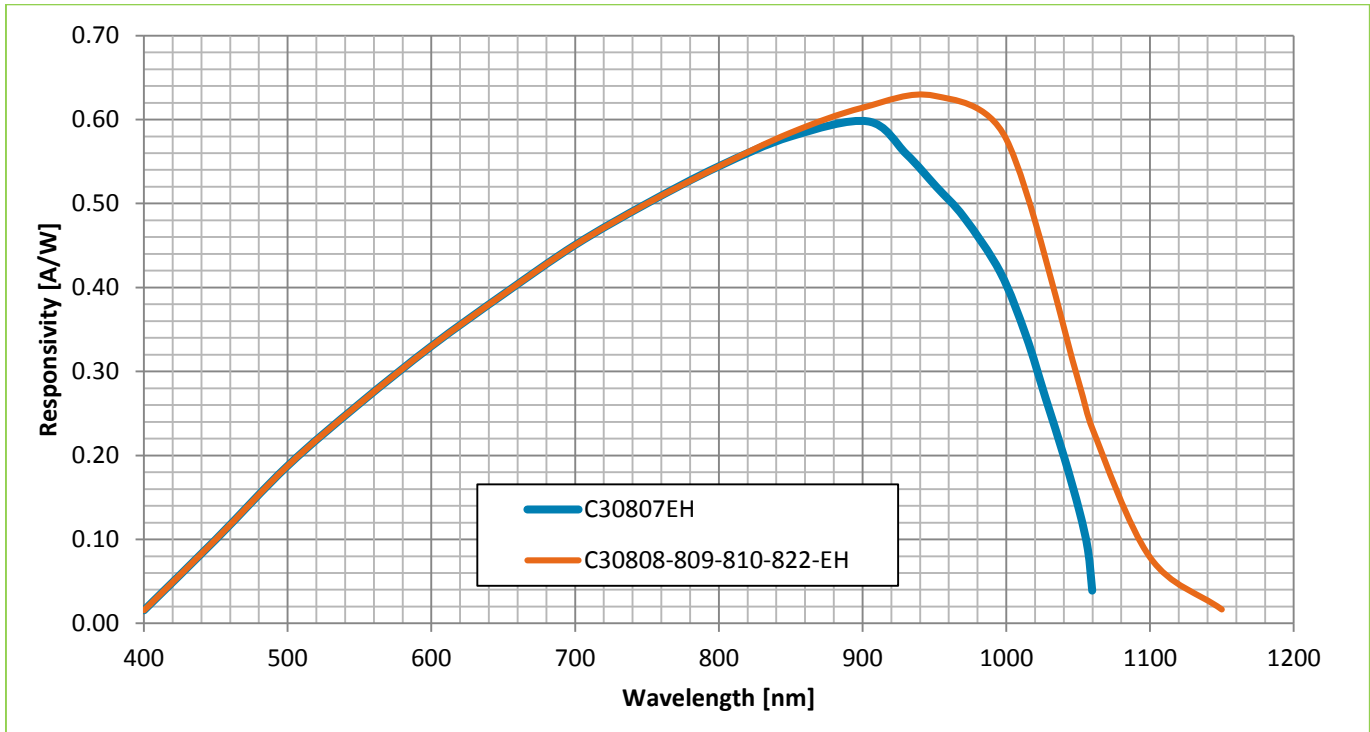
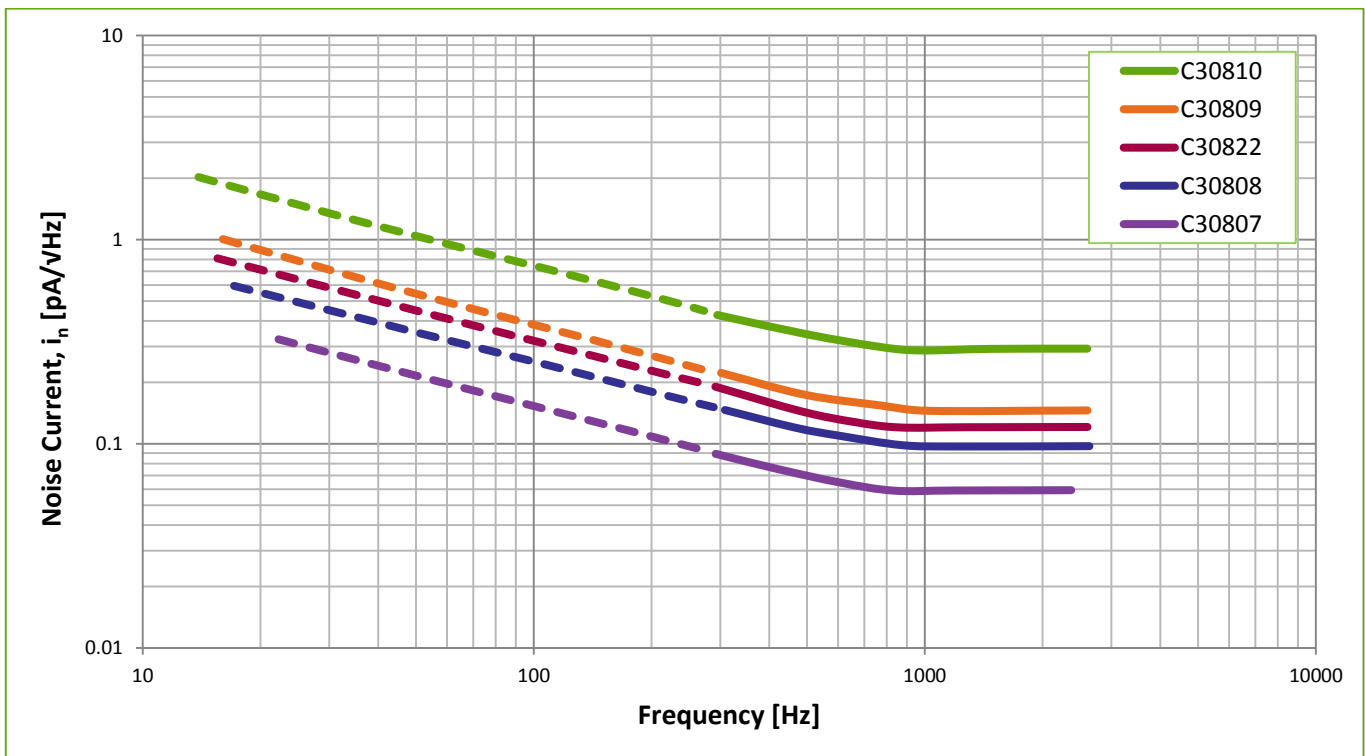
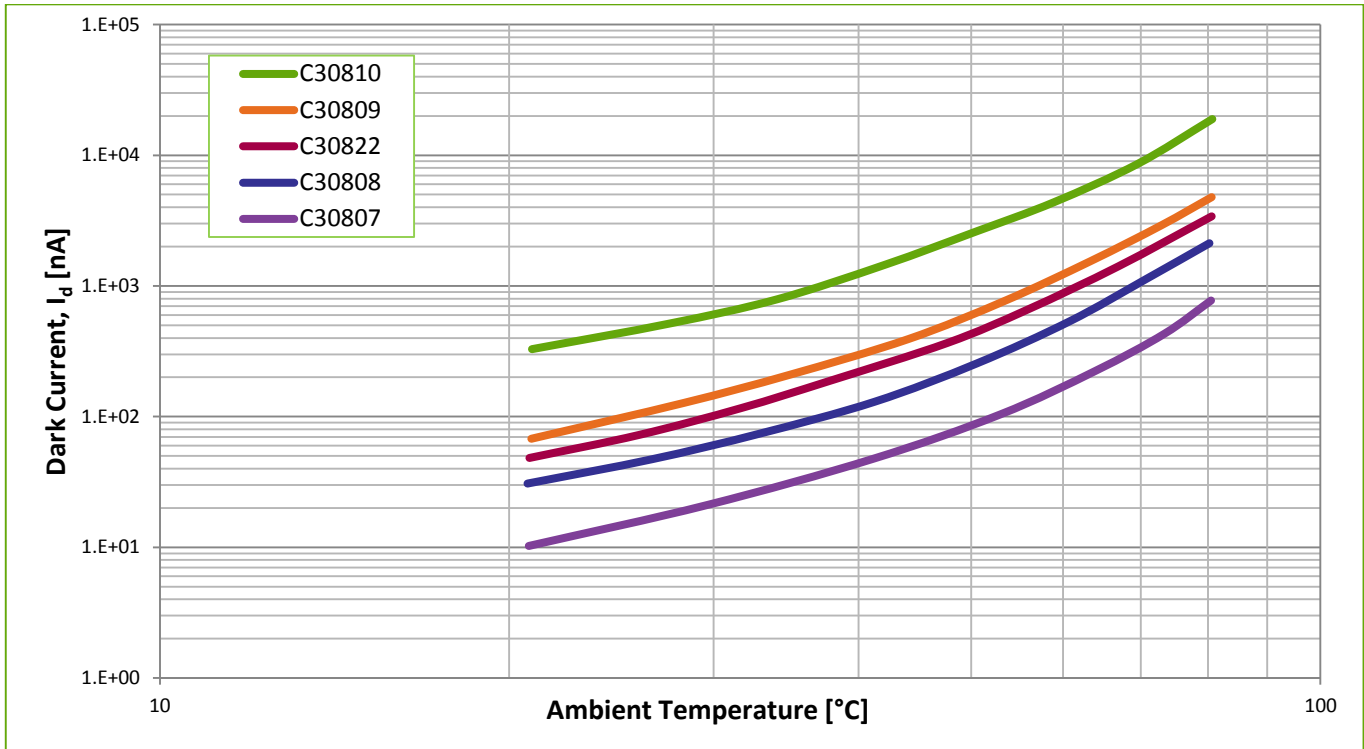


Figure 2 – Typical Noise Current as a function of Frequency, $T_a=22^\circ\text{C}$, $V_{op}=45\text{V}$



N-type Silicon PIN Photodetectors

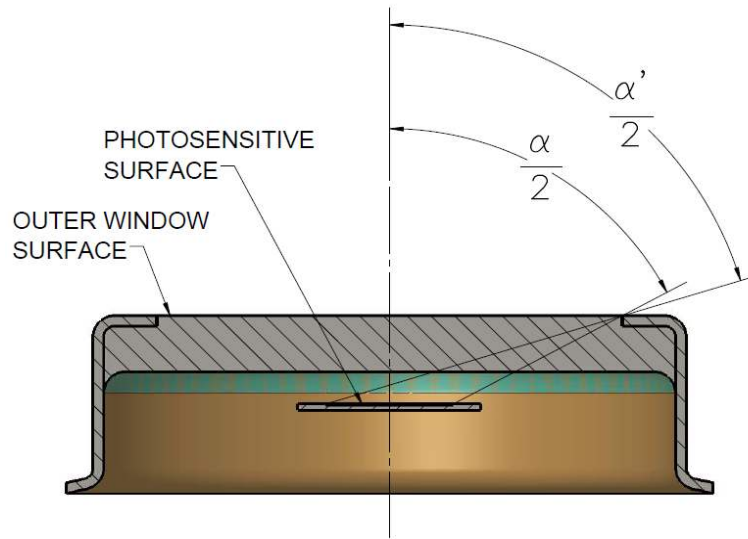
Figure 3 – Typical Dark Current as a function of Ambient Temperature, $V_{op} = 45V$



N-type Silicon PIN Photodetectors

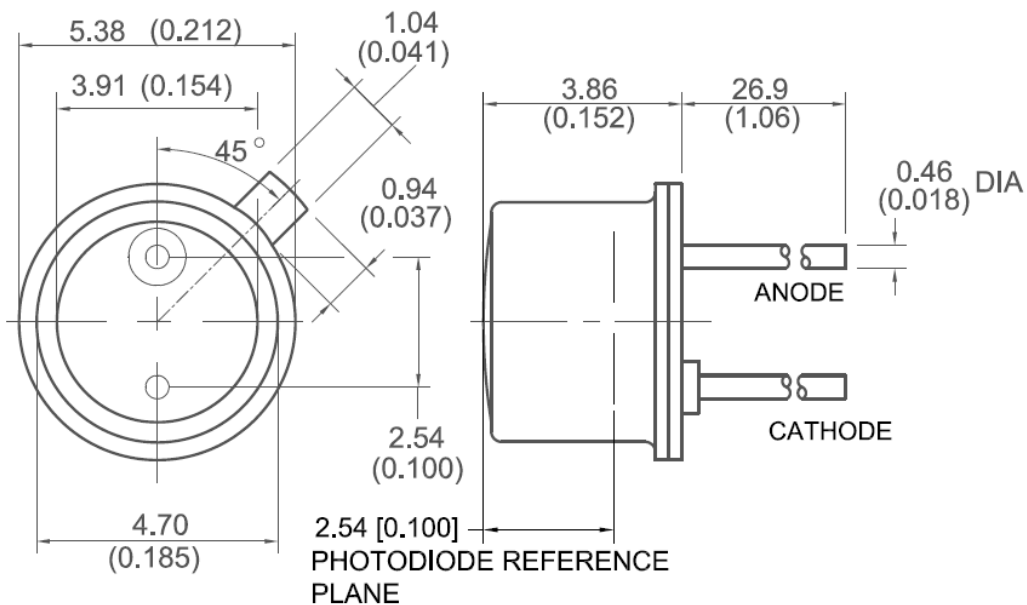
Figure 4 – Approximate Field of View

For incident radiation at angles $\leq \alpha/2$, the photosensitive surface is totally illuminated.
 For incident radiation at angles $> \alpha/2$, but $\leq \alpha'/2$, the photosensitive surface is partially illuminated



VS-383

Figure 5 – Package Dimension of C30807EH, mm (inches), for reference only.



DIMENSIONS ARE mm (inches)
 AND ARE FOR REFERENCE ONLY

VS-154R2

N-type Silicon PIN Photodetectors

Figure 6 – Package Dimension of C30808EH, mm (inches), for reference

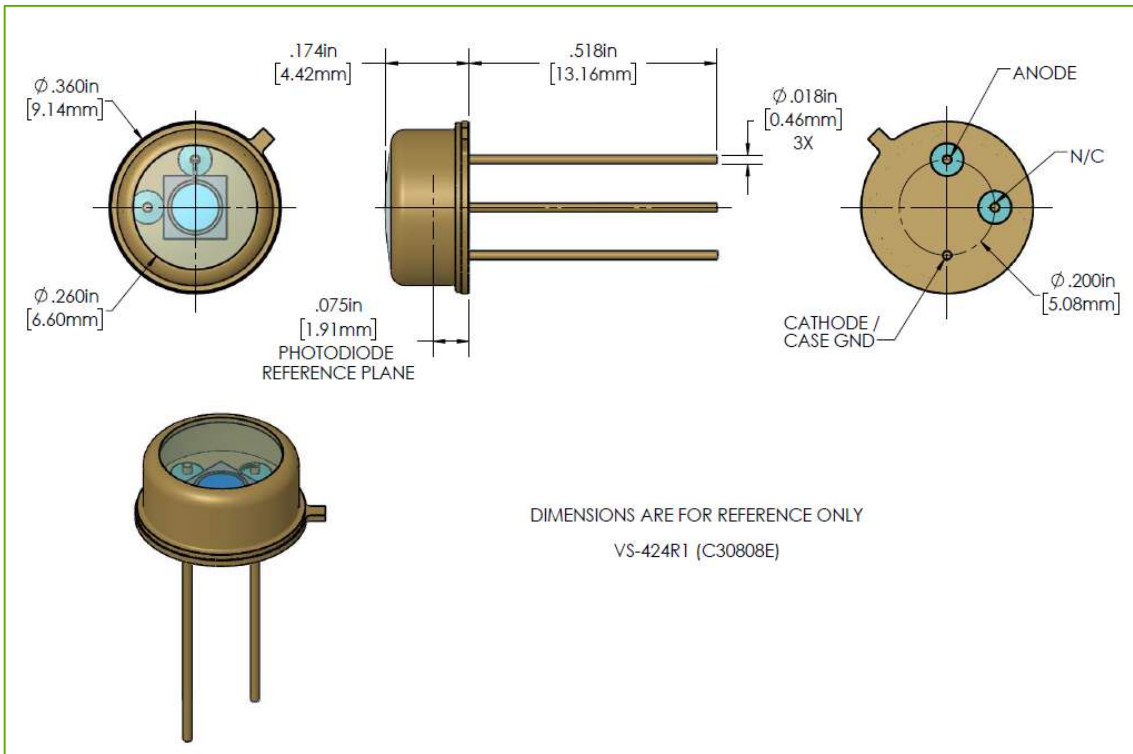
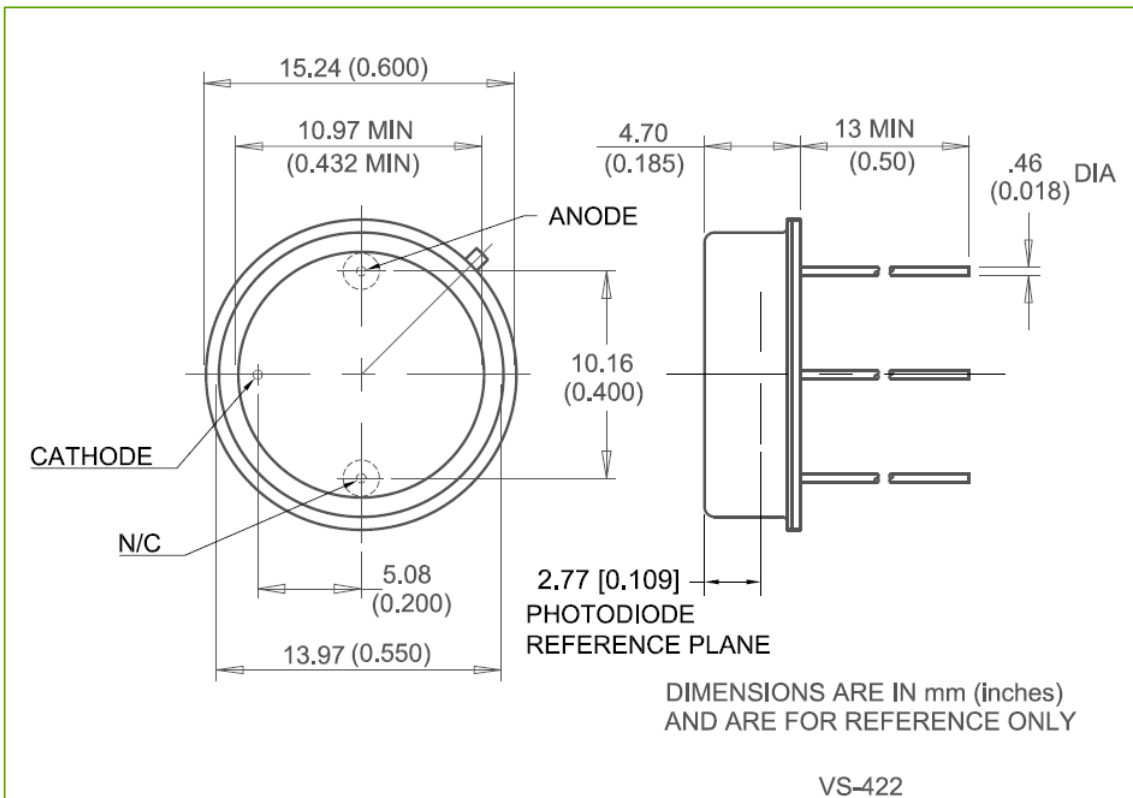


Figure 7 – Package Dimension of C30809EH, mm (inches), for reference only



N-type Silicon PIN Photodetectors

Figure 8 – Package Dimension of C30822EH, mm (inches), for reference only

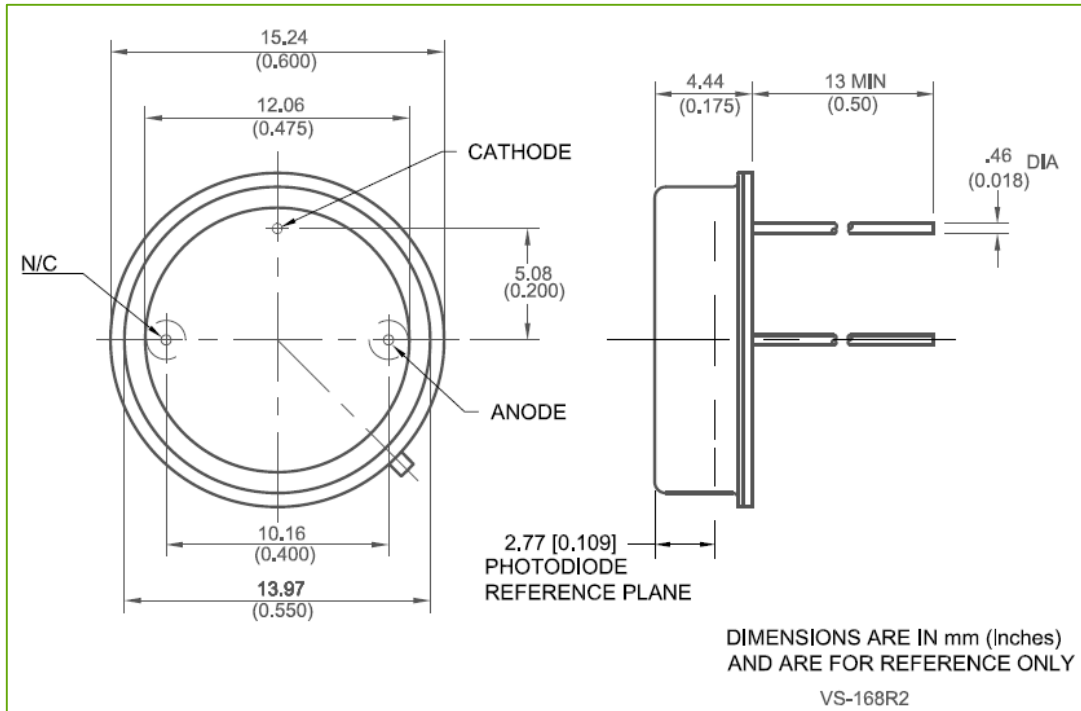
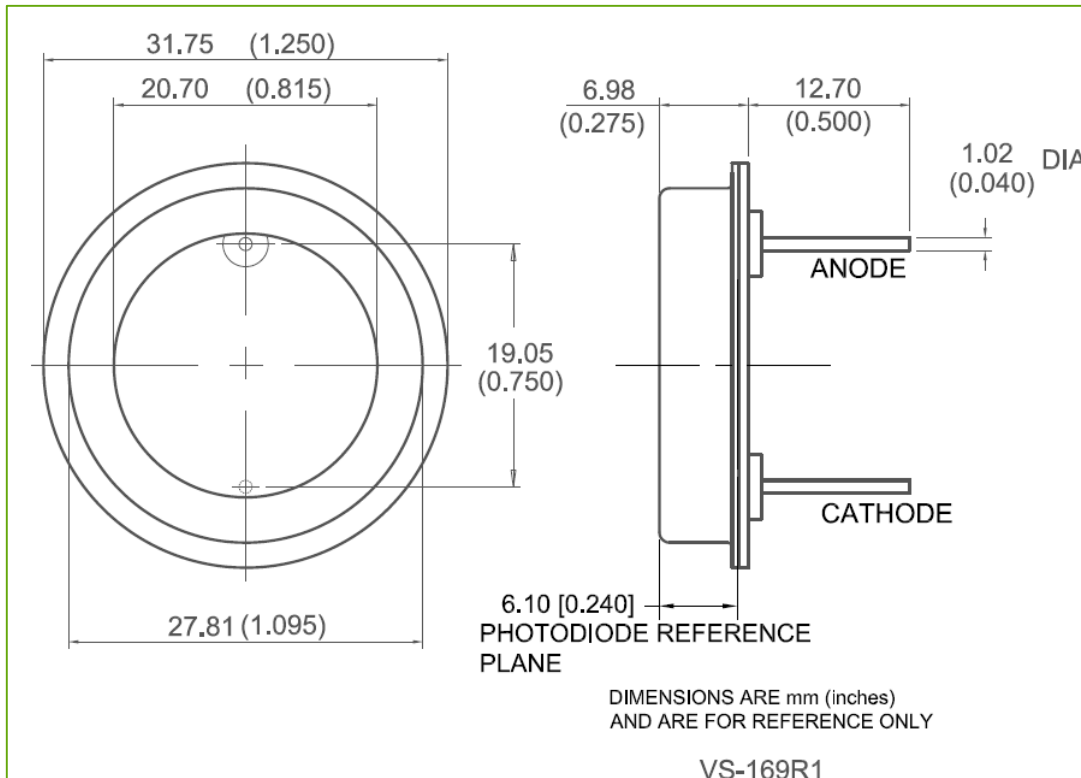


Figure 9 – Package Dimension of C30810EH, mm (inches), for reference only



C30807EH, C30808EH, C30822EH, C30809EH and C30810EH Types

N-type Silicon PIN Photodetectors

RoHS Compliance

The C30807EH, C30808EH, C30822EH, C30809EH, and C30810EH Type PIN Photodetectors are designed and built to be fully compliant with the European Union Directive 2011/65/EU – Restriction of the use of certain Hazardous Substances (RoHS) in Electrical and Electronic equipment.



Warranty

A standard 12-month warranty following shipment applies. Any warranty is null and void if the photodiode window has been opened.

About Excelitas Technologies

Excelitas Technologies is a global technology leader focused on delivering innovative, customized solutions to meet the lighting, detection and other high-performance technology needs of OEM customers.

Excelitas has a long and rich history of serving our OEM customer base with optoelectronic sensors and modules for more than 45 years beginning with PerkinElmer, EG&G, and RCA. The constant throughout has been our innovation and commitment to delivering the highest quality solutions to our customers worldwide.

From analytical instrumentation to clinical diagnostics, medical, industrial, safety and security, and aerospace and defense applications, Excelitas Technologies is committed to enabling our customers' success in their specialty end-markets. Excelitas Technologies has approximately 5,000 employees in North America, Europe and Asia, serving customers across the world.

Excelitas Technologies
22001 Dumberry Road
Vaudreuil-Dorion, Quebec
Canada J7V 8P7
Telephone: (+1) 450 424 3300
Toll-free: (+1) 800 775 6786
Fax: (+1) 450 424 3345
detection@excelitas.com

**Excelitas Technologies
GmbH & Co. KG**
Wenzel-Jaksch-Str. 31
D-65199 Wiesbaden
Germany
Telephone: (+49) 611 492 430
Fax: (+49) 611 492 165
detection.europe@excelitas.com

Excelitas Technologies Singapore, Pte. Ltd.
8 Tractor Road
Singapore 627969
Telephone: (+65) 6775 2022 (Main number)
Telephone: (+65) 6770 4366 (Customer Service)
Fax: (+65) 6778-1752
detection.asia@excelitas.com

EXCELITAS®
TECHNOLOGIES

For a complete listing of our global offices, visit www.excelitas.com/locations

© 2012 Excelitas Technologies Corp. All rights reserved. The Excelitas logo and design are registered trademarks of Excelitas Technologies Corp. All other trademarks not owned by Excelitas Technologies or its subsidiaries that are depicted herein are the property of their respective owners. Excelitas reserves the right to change this document at any time without notice and disclaims liability for editorial, pictorial or typographical errors.