

MATERIALS AND FINISHES

SMA JACK: SEE SD-73391-026

MMCX PLUG: SEE SD-73415-112

CABLE: RG316

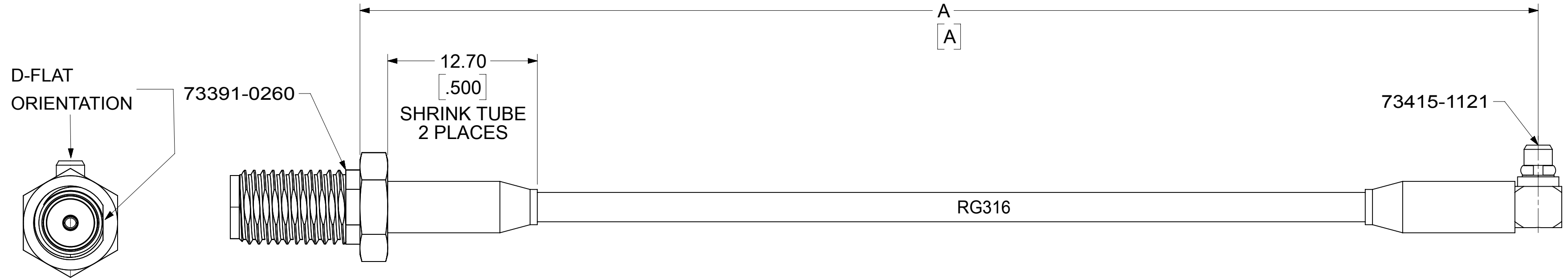
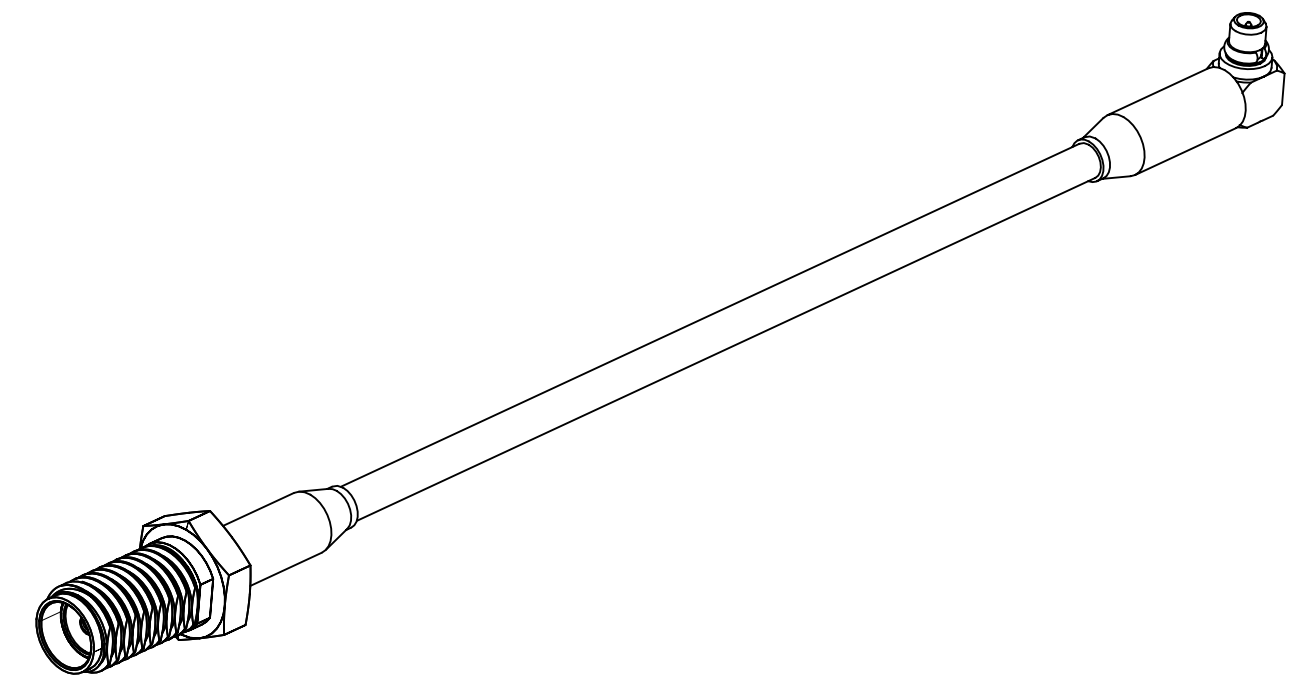
SHRINK TUBE: VERSAFIT

CABLES WILL BE INDIVIDUALLY BAGGED

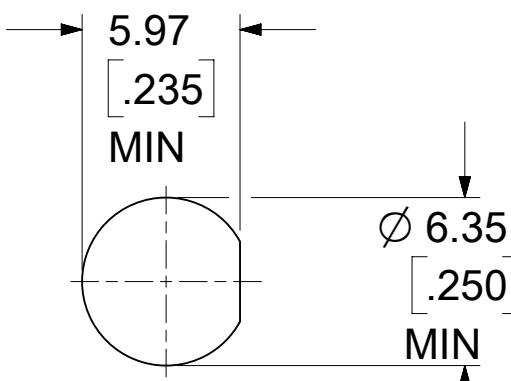
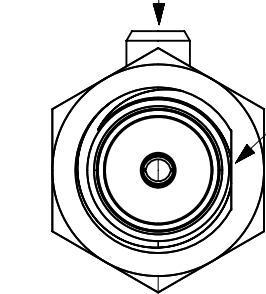
BAG LABEL:

MOLEX: P/N

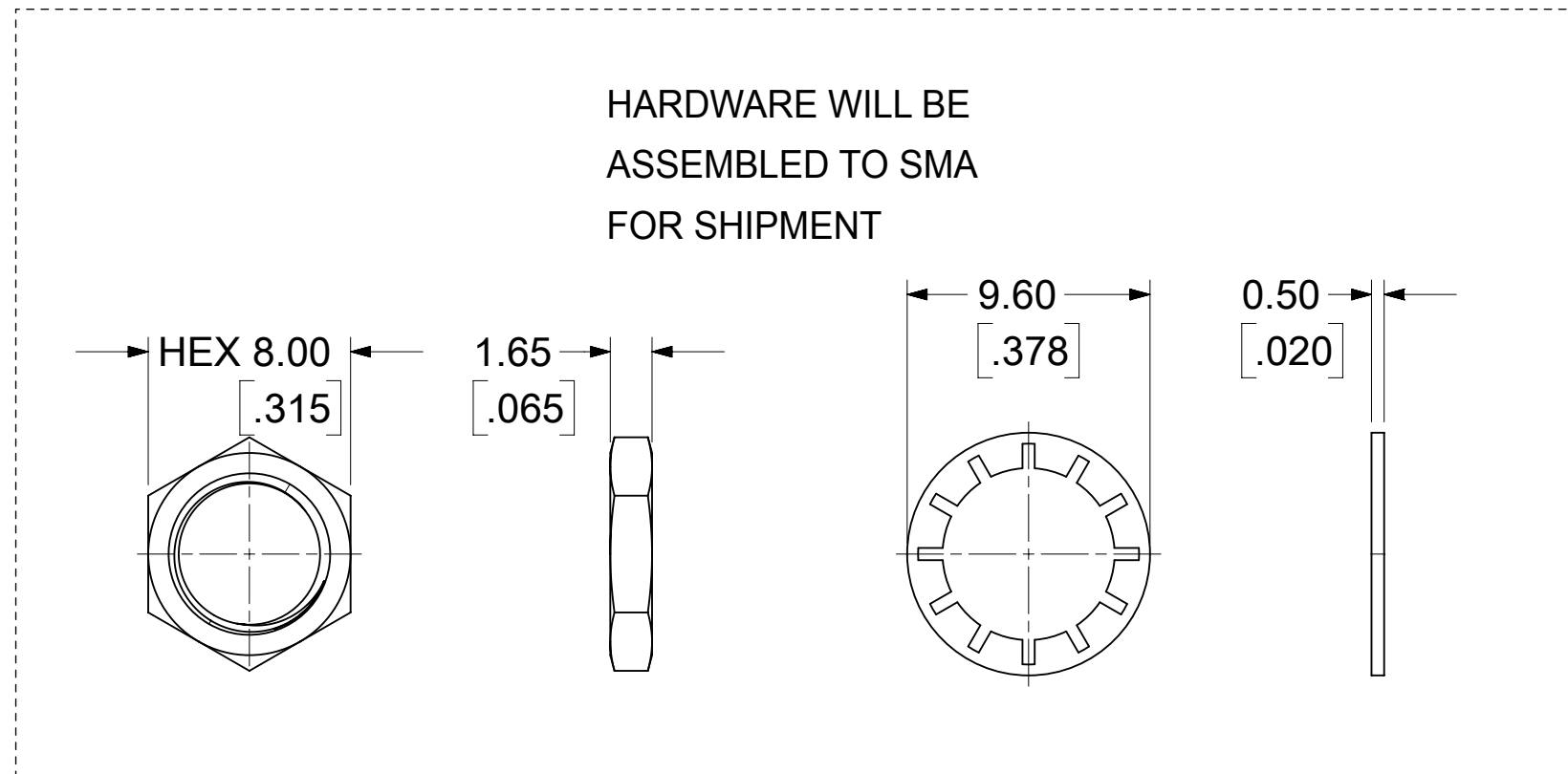
DATE CODE



D-FLAT ORIENTATION



RECOMMENDED PANEL CUTOUT
MAX PANEL THICKNESS 3.18 (.125)



89761-6822	18.0±.35	457.2±8.89	POLYBAG
89761-6821	12.0±.25	304.8±6.35	POLYBAG
89761-6820	6.00±.25	152.4±6.35	POLYBAG
PART NO.	IN	MM	PACKAGING
	A		

CECC-22-340	INTERFACE MMCX
MIL-STD-348A, FIG. 310.2	INTERFACE SMA
SPECIFICATION	DESCRIPTION

FUNCTIONAL SYMBOLS	THIS DRAWING CONTAINS INFORMATION THAT IS PROPRIETARY TO MOLEX ELECTRONIC TECHNOLOGIES, LLC AND SHOULD NOT BE USED WITHOUT WRITTEN PERMISSION		
FA = 0	DIMENSION UNITS	SCALE	CURRENT REV DESC:
EA = 0	MM/INCH	NTS	CHG: UPDATE PACKAGE QUANTITY FOR -6821 PART NO
EP = 0	GENERAL TOLERANCES (UNLESS SPECIFIED)		EC NO: 690863
	ANGULAR TOL ± 2.0°		DRWN: JSU18 2022/01/05
	4 PLACES ±		CHK'D: YCHENG 2022/01/05
	3 PLACES ±		APPR: YCHENG 2022/01/05
	2 PLACES ±		INITIAL REVISION:
	1 PLACE ±		DRWN: AROBERTSON 2009/02/20
	0 PLACES ±		APPR: JWIENER 2009/02/20
	DRAFT WHERE APPLICABLE MUST REMAIN WITHIN DIMENSIONS	THIRD ANGLE PROJECTION	DRAWING SERIES
			C-SIZE 89761
	DOCUMENT NUMBER	CUSTOMER	SHEET NUMBER
	SD-89761-682	GENERAL MARKET	1 OF 2

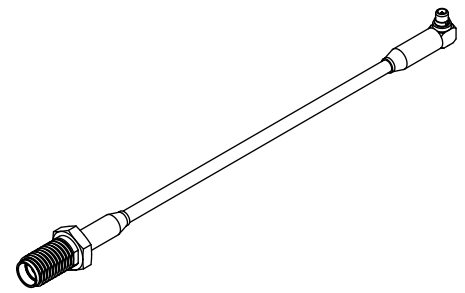
molex

CA SMA J STR BKHD TO
MMCX P R/A W/RG316 CA-SMAJ/MMCXP, EWR-3874

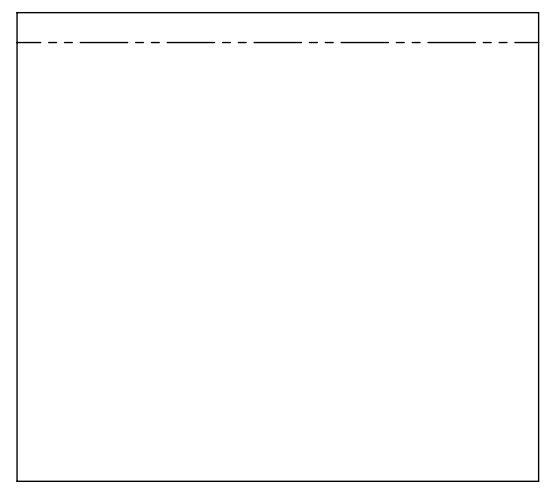
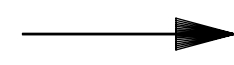
PRODUCT CUSTOMER DRAWING

DOCUMENT NUMBER DOC TYPE DOC PART REVISION

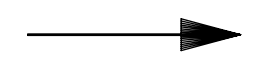
SD-89761-682 PSD 001 A5



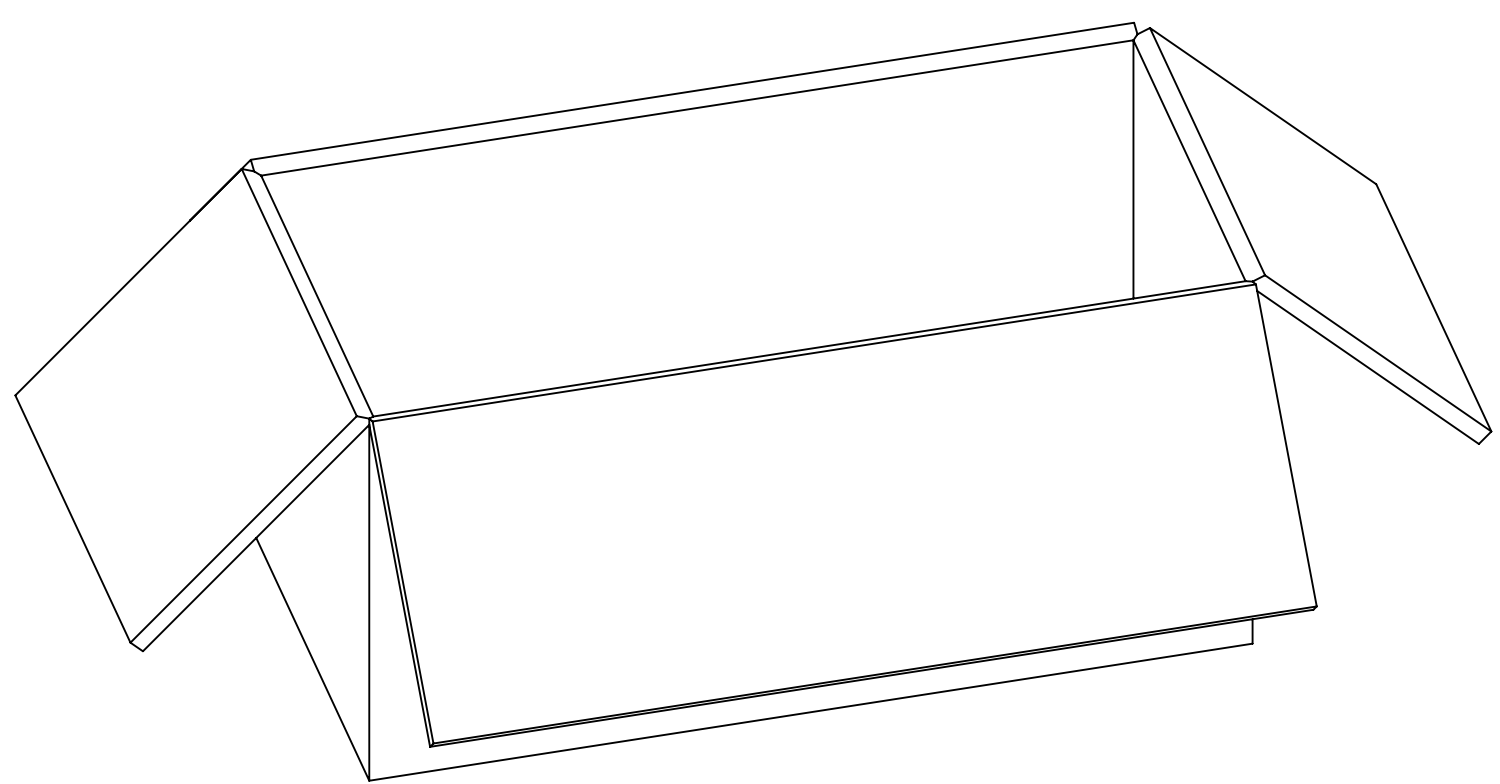
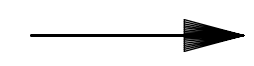
PN: 89761-6820
 PN: 89761-6821
 PN: 89761-6822



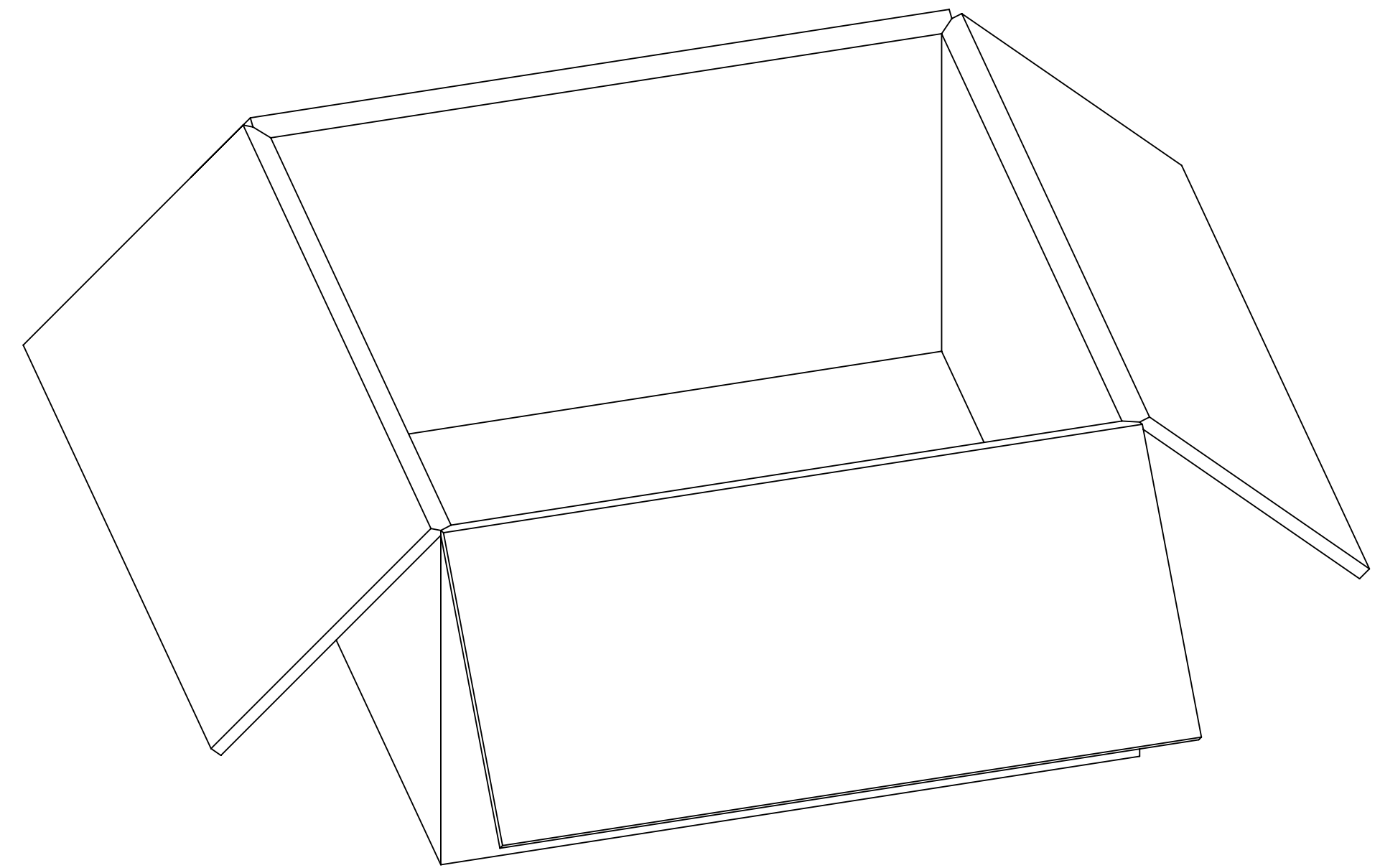
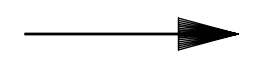
1 SET PER POLY BAG
 P/N: 89707-0296



50 SETS PER POLY BAG
 P/N: 89707-0176



250 SETS PER INNER
 CARTON BOX
 P/N: 96707-0001
 DIMENSION: 367 x 173 x 188 (mm)



500 SETS PER OUTER
 CARTON BOX
 P/N: 96708-0005
 DIMENSION: 385 x 367 x 206 (mm)

FUNCTIONAL SYMBOLS										THIS DRAWING CONTAINS INFORMATION THAT IS PROPRIETARY TO MOLEX ELECTRONIC TECHNOLOGIES, LLC AND SHOULD NOT BE USED WITHOUT WRITTEN PERMISSION																													
DIMENSION UNITS					SCALE					CURRENT REV DESC:																													
MM/INCH					NTS					CHG: UPDATE PACKAGE QUANTITY FOR -6821 PART NO																													
GENERAL TOLERANCES (UNLESS SPECIFIED)										EC NO: 690863										CA SMA J STR BKHD TO MMCX P R/A W/RG316 CA-SMAJ/MMCXP, EWR-3874																			
ANGULAR TOL ± 2.0°										DRWN: JSU18					2022/01/05																								
DIVISIONAL SYMBOLS										INITIAL REVISION:					PRODUCT CUSTOMER DRAWING																								
4 PLACES ±					3 PLACES ±					DRWN: AROBERTSON					DOCUMENT NUMBER					DOC TYPE					DOC PART					REVISION									
3 PLACES ±					2 PLACES ±					APPR: YCHENG					2022/01/05					SD-89761-682					PSD					001					A5				
2 PLACES ±					1 PLACE ±					APPR: JWIENER					2009/02/20					MATERIAL NUMBER					CUSTOMER					SHEET NUMBER									
1 PLACE ±					0 PLACES ±					DRAFT WHERE APPLICABLE MUST REMAIN WITHIN DIMENSIONS					THIRD ANGLE PROJECTION					DRAWING					SERIES					GENERAL MARKET					2 OF 2				
															C-SIZE					89761																			