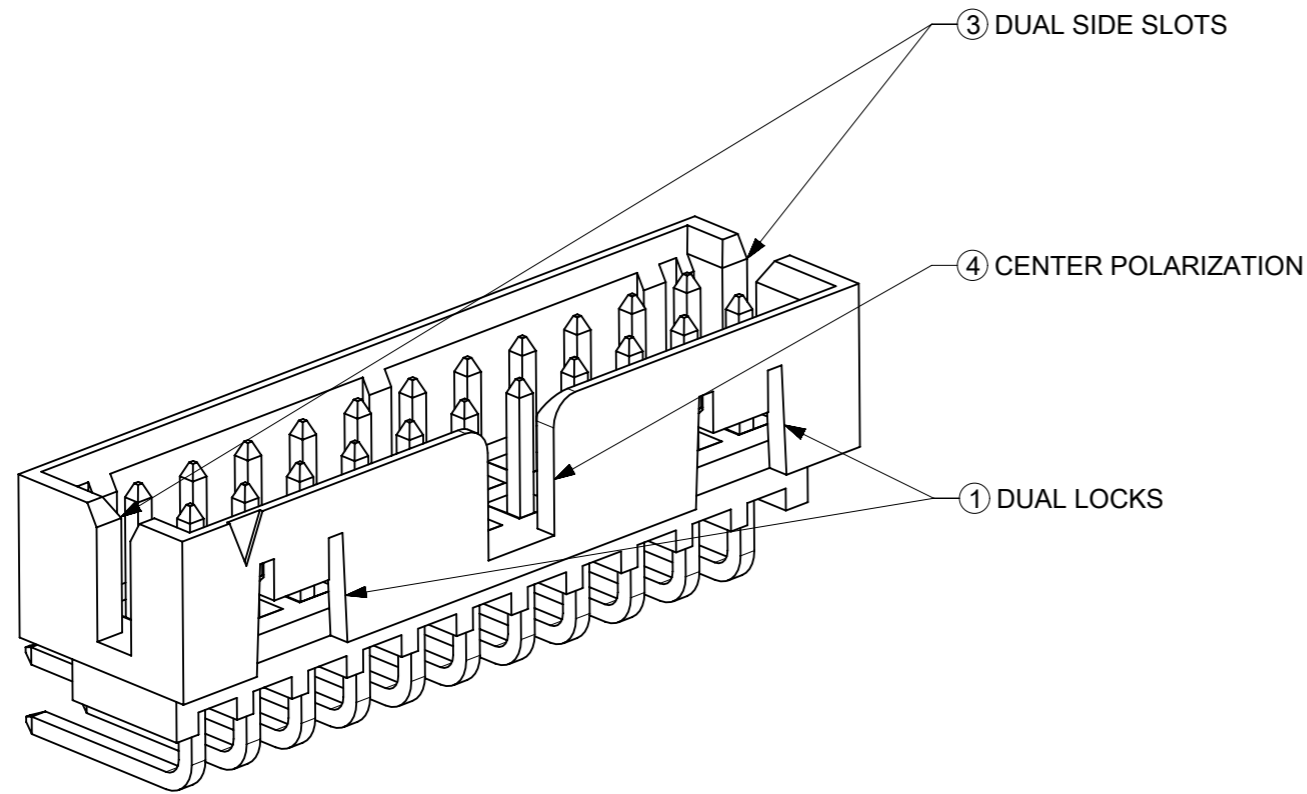
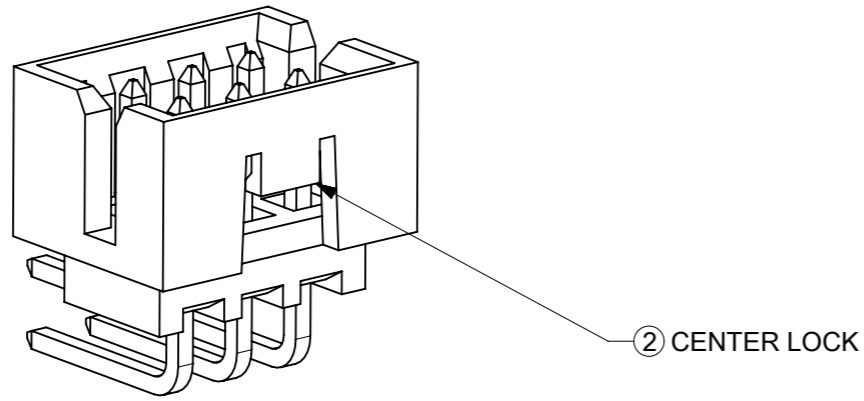


FEATURES SELECTION GUIDE

| CIRCUIT SIZE | FEATURES | | | | SHEET NO |
|--------------|----------------|----------|-------------------|-----------------------|----------|
| | FRICTION LOCKS | | ③ DUAL SIDE SLOTS | ④ CENTER POLARIZATION | |
| | ① DUAL | ② CENTER | | | |
| 4 TO 6 | N.A | N.A | YES | N.A | 2 - 3 |
| | N.A | YES | YES | N.A | |
| 8 TO 12 | N.A | N.A | YES | YES | 4 - 5 |
| | N.A | YES | YES | N.A | |
| 14 TO 50 | YES | N.A | YES | YES | 6 - 9 |
| | N.A | N.A | YES | YES | |

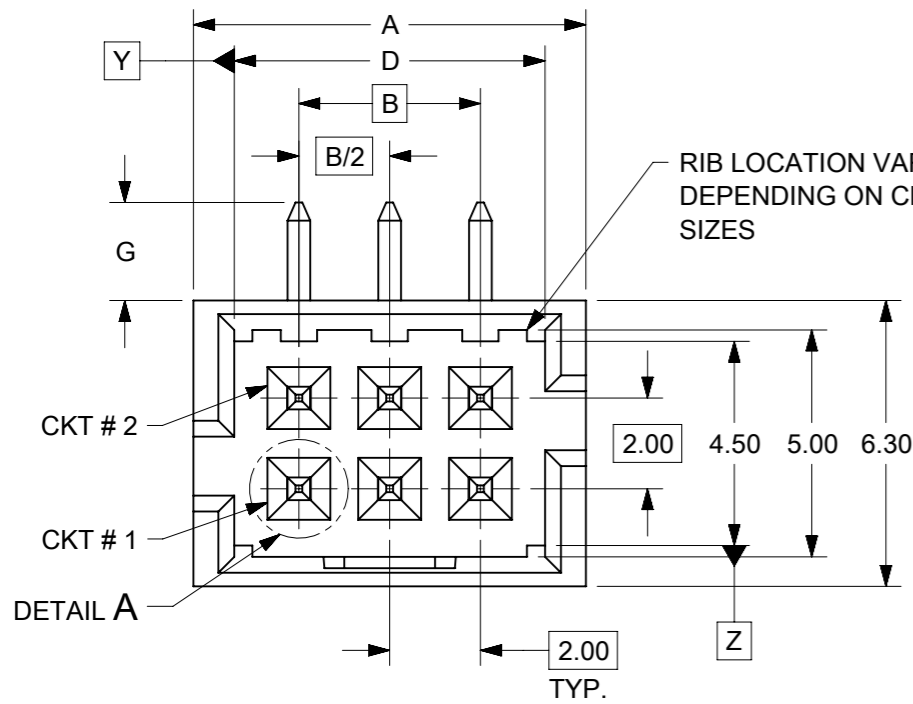


PACKAGING SPECIFICATION TABLE

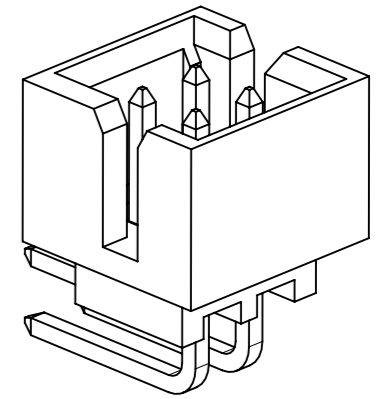
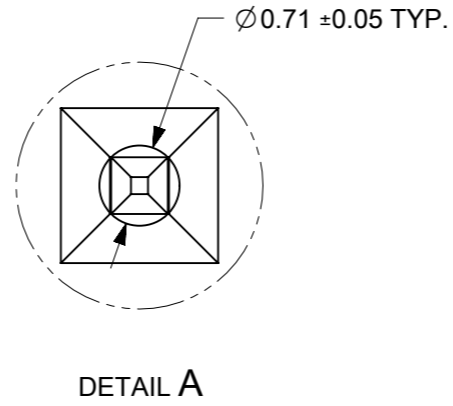
| | |
|--|--------------|
| TAPE AND REEL PACKAGING | PK-87831-300 |
| TUBE STANDARD PACKAGING | PK-87831-001 |
| TUBE NON-STANDARD PACKAGING FOR: 87833-0861 87833-1420 | PK-87831-002 |

THIS DRAWING CONTAINS INFORMATION THAT IS PROPRIETARY TO MOLEX ELECTRONIC TECHNOLOGIES, LLC AND SHOULD NOT BE USED WITHOUT WRITTEN PERMISSION

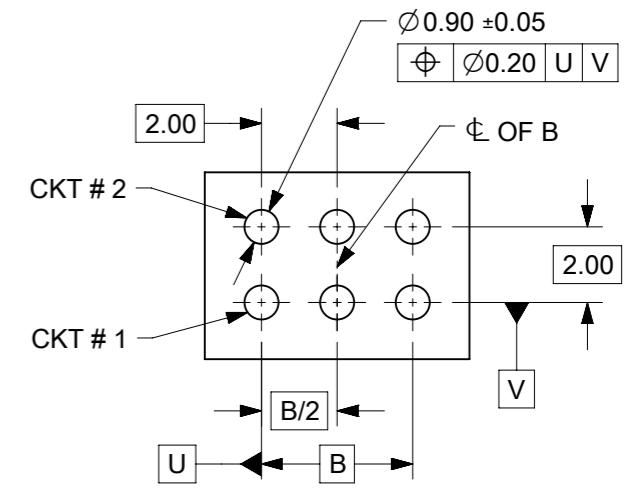
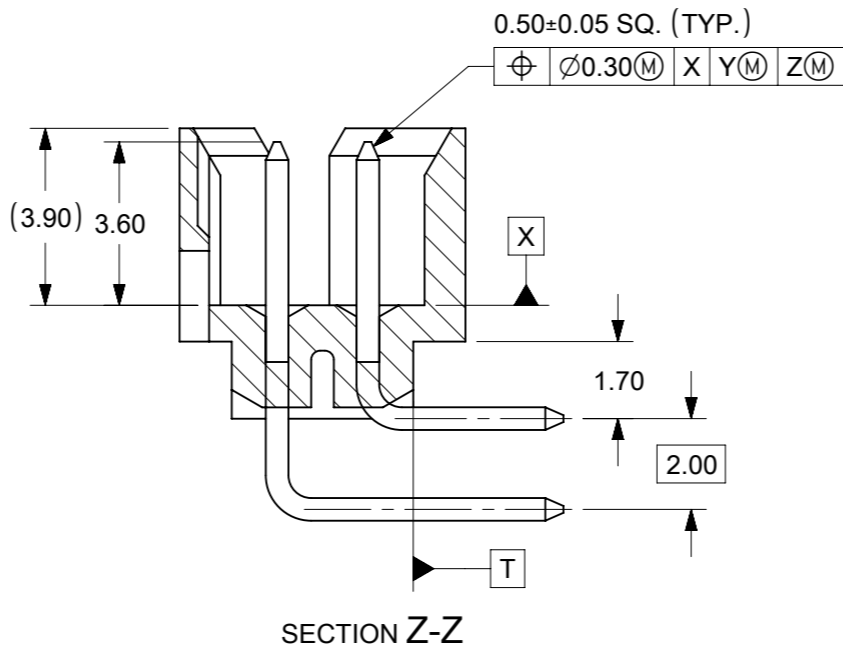
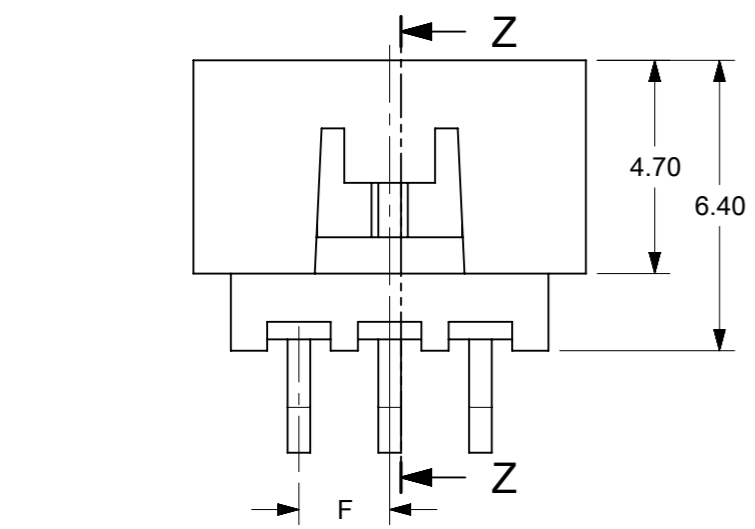
| EC NO: 727481 | DRWN: DANUSA | CHK'D: DANUSA | REV APPR: MIRAMAKRISHNA | GENERAL TOLERANCES (UNLESS SPECIFIED) | | DIMENSION UNITS | | SCALE | | molex® | | | | |
|---------------|--------------|---------------|-------------------------|---------------------------------------|-------|-----------------|--|------------------------|----------|--------------------------|---|----------------|----------|--------------|
| | | | | MM | INCH | MM | INCH | MM | NTS | | | | | |
| 2022/11/07 | 2022/11/07 | 2022/11/07 | 2022/11/07 | 4 PLACES | ± | ± | DRWN BY | DATE | GMENARLY | 2015/09/29 | MILLIGRID, 2MM PITCH SHROUDED HEADER R/A, THROUGH HOLE | | | |
| | | | | 3 PLACES | ± | ± | CHK'D BY | DATE | CGOH | 2015/10/30 | | | | |
| | | | | 2 PLACES | ± 0.2 | ± | APPR BY | DATE | KHLIM | 2015/11/03 | | | | |
| | | | | 1 PLACES | ± | ± | DRAWING SIZE | THIRD ANGLE PROJECTION | A3 | | | | | |
| | | | | 0 PLACES | ± | ± | DRAFT WHERE APPLICABLE MUST REMAIN WITHIN DIMENSIONS | | | | | | | |
| | | | | ANGULAR TOL = 3.0 | | | | | | PRODUCT CUSTOMER DRAWING | | | | |
| | | | | | | | | | | SERIES | MATERIAL NUMBER | CUSTOMER | | |
| | | | | | | | | | | 87833 | SEE TABLE | GENERAL MARKET | | |
| | | | | | | | | | | DOCUMENT NUMBER | | DOC TYPE | DOC PART | SHEET NUMBER |
| | | | | | | | | | | SD-87833-0001 | | PSD | 001 | 1 OF 9 |



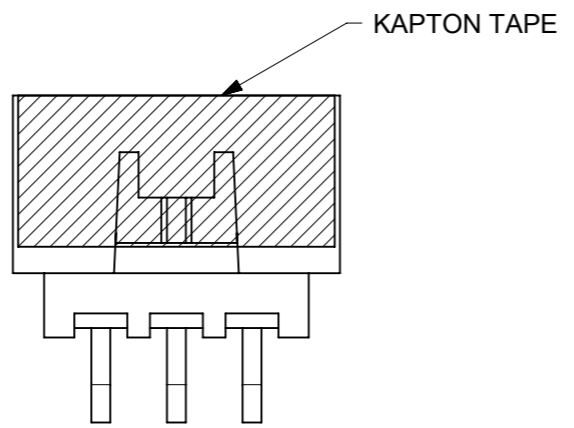
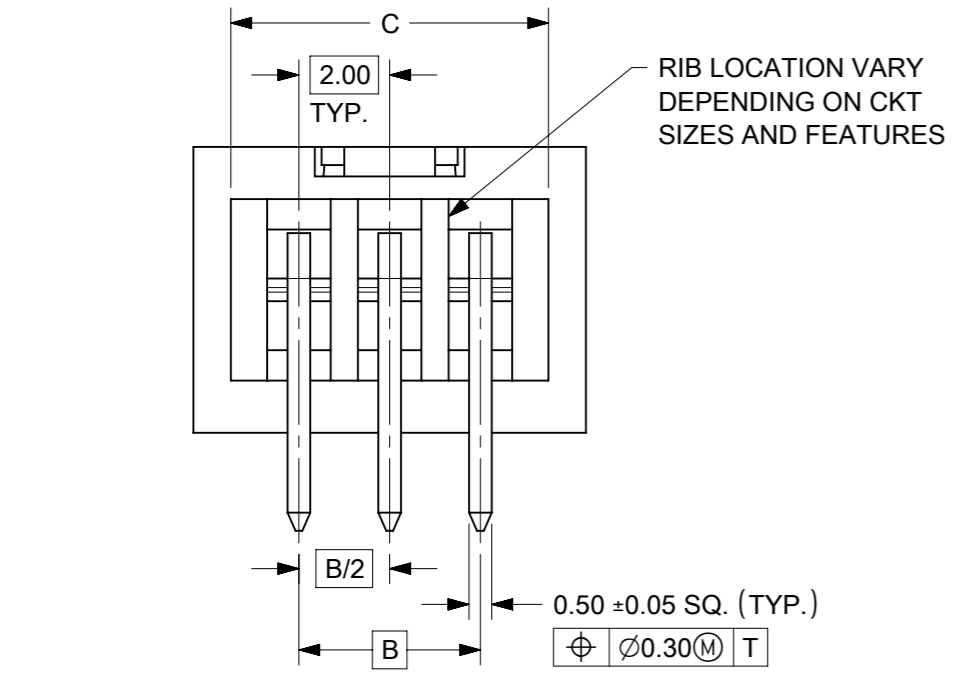
4 TO 6 CIRCUITS



ISO VIEW OF HEADER
DUAL SIDE SLOTS



RECOMMENDED PCB LAYOUT



- NOTES:
1. MATERIALS:
HOUSING: 30% GF, NYLON, UL94V-0, COLOR: BLACK.
PIN: 0.50mm SQ. PHOSPHOR BRONZE.
 2. FINISHES: REFER TO PLATING OPTIONS.
 3. PRODUCT SPECIFICATION: PS-87831-027
 4. PACKAGING SPECIFICATION: SEE PACKAGING SPECS TABLE ON SHEET 1
 5. MATES WITH: A. MOLEX CRIMP RECEPTACLE HOUSING: 51110 SERIES AND CRIMP TERMINAL: 50394 SERIES.
B. MOLEX 2MM MILLIGRID DUAL ROW IDT: 87568 SERIES.
C. MOLEX 2MM MILLIGRID DUAL ROW RECEPTACLE: 79107 (GOLD PLATED), 78787 (TIN PLATED)
 6. FOR ILLUSTRATION PURPOSE, 6 CIRCUITS HEADER IS SHOWN.

THIS DRAWING CONTAINS INFORMATION THAT IS PROPRIETARY TO MOLEX ELECTRONIC TECHNOLOGIES, LLC AND SHOULD NOT BE USED WITHOUT WRITTEN PERMISSION

| | | | | | | | | | |
|---|------------|--|---------|-----------------|------------------------|--------------------------|---|----------------|--------------|
| EC NO: 727481 DRWN: DANUSA CHK'D: DANUSA REV APPR: MIRAMAKRISHNA | 2022/11/07 | GENERAL TOLERANCES (UNLESS SPECIFIED) | | DIMENSION UNITS | SCALE | | | | |
| | 2022/11/07 | MM | INCH | MM | NTS | | | | |
| | 2022/11/07 | 4 PLACES ± | ± | DRWN BY | DATE | | MILLIGRID, 2MM PITCH SHROUDED HEADER R/A, THROUGH HOLE | | |
| | | 3 PLACES ± | ± | GMENARLY | 2015/09/29 | | | | |
| | | 2 PLACES ± 0.2 | ± | CHK'D BY | DATE | | | | |
| | 1 PLACES ± | ± | CGOH | 2015/10/30 | | | | | |
| | 0 PLACES ± | ± | APPR BY | DATE | | | | | |
| | | ANGULAR TOL = 3.0 | | KHLIM | 2015/11/03 | PRODUCT CUSTOMER DRAWING | | | |
| | | DRAFT WHERE APPLICABLE MUST REMAIN WITHIN DIMENSIONS | | DRAWING SIZE | THIRD ANGLE PROJECTION | SERIES | MATERIAL NUMBER | CUSTOMER | |
| | | | | A3 | | 87833 | SEE TABLE | GENERAL MARKET | |
| | | | | | | DOCUMENT NUMBER | DOC TYPE | DOC PART | SHEET NUMBER |
| | | | | | | SD-87833-0001 | PSD | 001 | 2 OF 9 |


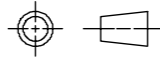
4 TO 6 CIRCUITS

| CKT SIZE | ASSY. P/N WITHOUT KAPTON IN TUBE | ASSY. P/N WITH KAPTON IN TUBE | ASSY. P/N WITH KAPTON IN T&R | PLATING OPTIONS | FRICTION LOCKS | | DUAL SIDE SLOTS | CENTER POLARIZATION | DIMENSION | | | | | | | |
|------------|----------------------------------|-------------------------------|------------------------------|-----------------|----------------|--------|-----------------|---------------------|-----------|------|------|------|------|------|-----------------|------|
| | | | | | DUAL | CENTER | | | A | B | C | D | E | F | G (SOLDER TAIL) | |
| 4 | 87833-0419 | N.A | N.A | 1 | N.A | N.A | YES | N.A | 6.65 | 2.00 | 5.00 | 4.85 | N.A | N.A | 2.16 | |
| | 87833-0420 | N.A | N.A | 2 | | | | | | | | | | | | |
| | 87833-0421 | N.A | N.A | 3 | | | | | | | | | | | | |
| | 87833-5920 | N.A | N.A | 2 | N.A | N.A | YES | N.A | | | | | | N.A | 1.00 | 2.16 |
| | 87833-0431 | 87833-0441 | 87833-0451 | 2 | N.A | YES | YES | N.A | | | | | | | | |
| | 87833-0432 | N.A | N.A | 3 | N.A | YES | YES | N.A | | | | | | 1.00 | 3.18 | |
| | 87833-0461 | N.A | N.A | 2 | | | | | | | | | | | | |
| 87833-0619 | N.A | N.A | 1 | N.A | | | | | N.A | YES | N.A | N.A | 2.16 | | | |
| 87833-0620 | N.A | 87833-0626 | 2 | | | | | | | | | | | | | |
| 87833-0621 | N.A | N.A | 3 | | | | | | | | | | | | | |
| 87833-6420 | N.A | N.A | 2 | | N.A | YES | YES | N.A | | | | | | N.A | 3.18 | |
| 87833-0631 | 87833-0641 | 87833-0651 | 2 | | | | | | | | | | | | | |
| 87833-0632 | N.A | N.A | 3 | | N.A | YES | YES | N.A | | | | | | 2.00 | 2.16 | |
| 87833-0661 | N.A | N.A | 2 | | | | | | | | | | | | | |
| 87833-0624 | N.A | N.A | 2 | | | | | | | | | | | | | N.A |
| 87833-0625 | N.A | N.A | 3 | | | | | | | | | | | | | |

PLATING OPTIONS:

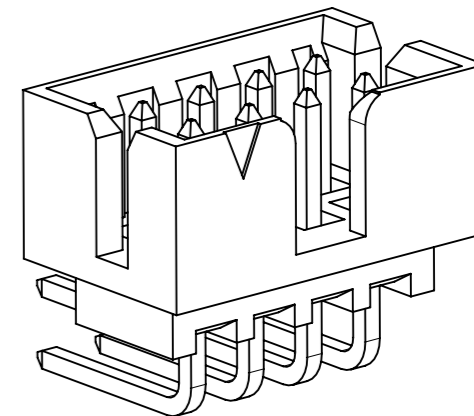
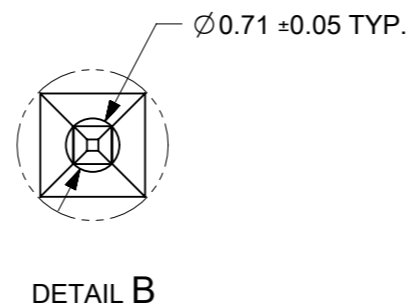
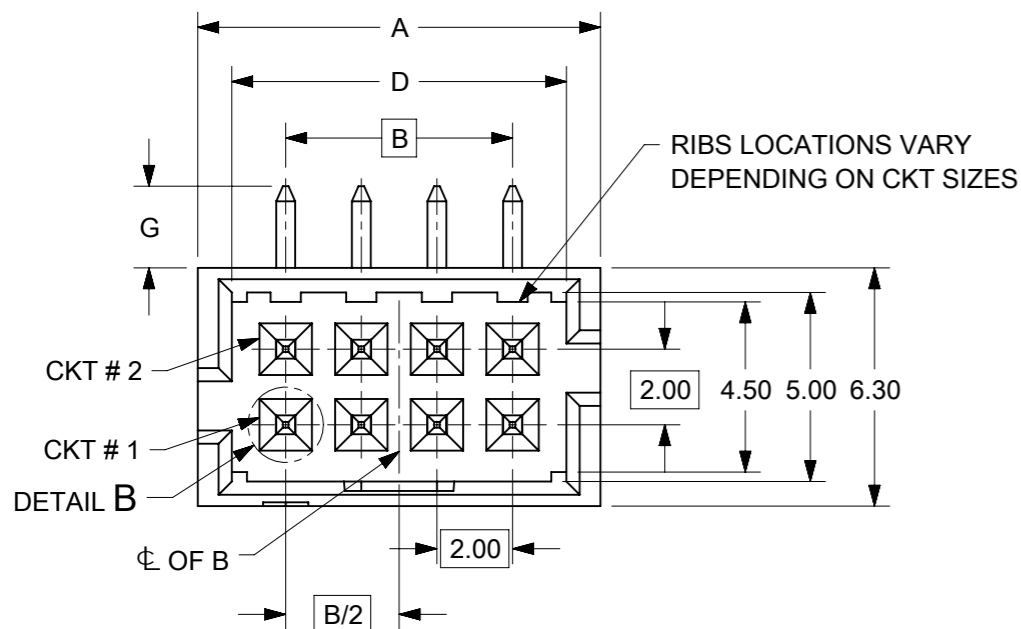
- 1 - 0.05-0.13µm/2-5µin GOLD IN CONTACT AREA AND
1.88µm/75µin MIN. MATTE TIN IN SOLDER TAIL AREA OVER
1.27µm/50µin MIN. NICKEL OVERALL.
- 2 - 0.38µm/15µin MIN. GOLD IN CONTACT AREA AND
1.88µm/75µin MIN. MATTE TIN IN SOLDER TAIL AREA OVER
1.27µm/50µin MIN. NICKEL OVERALL.
- 3 - 0.76µm/30µin MIN. GOLD IN CONTACT AREA AND
1.88µm/75µin MIN. MATTE TIN IN SOLDER TAIL AREA OVER
1.27µm/50µin MIN. NICKEL OVERALL.

THIS DRAWING CONTAINS INFORMATION THAT IS PROPRIETARY TO MOLEX ELECTRONIC TECHNOLOGIES, LLC AND SHOULD NOT BE USED WITHOUT WRITTEN PERMISSION

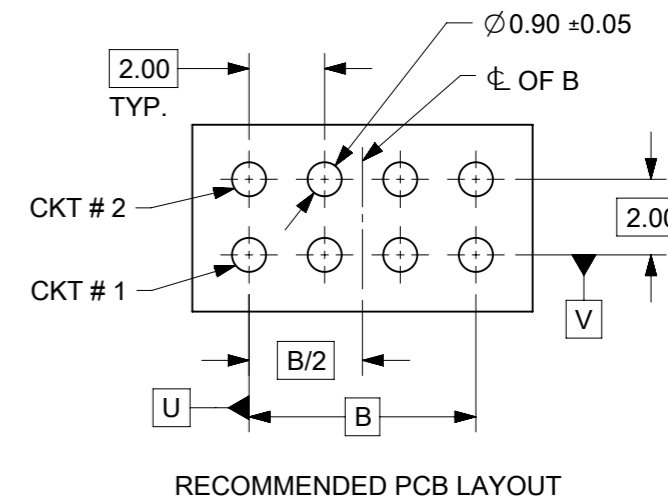
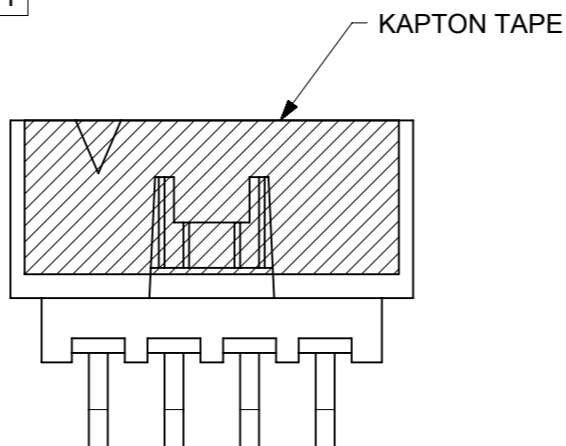
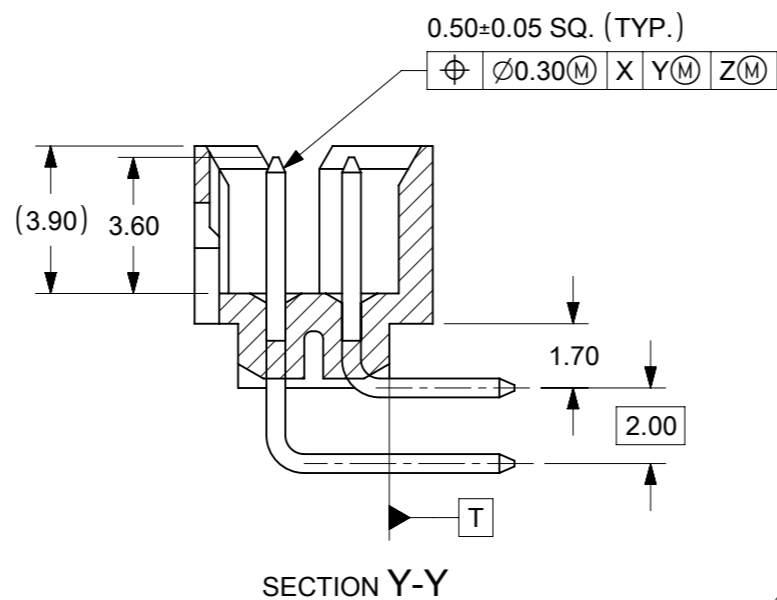
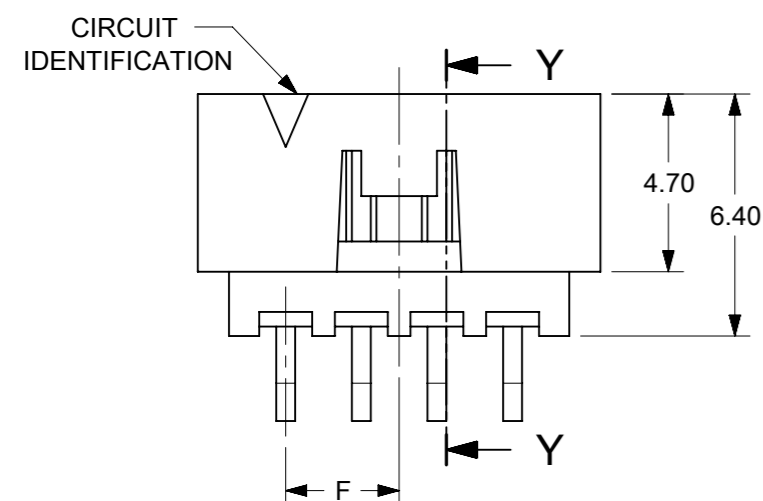
| | | | | | | | | | | | | | | |
|---|------------|------------|------------|---------------------------------------|--------------|--|----------|-------|---|--|---|--|--|--|
| EC NO: 727481 DRWN: DANUSA CHK'D: DANUSA REV APPR: MIRAMAKRISHNA | 2022/11/07 | 2022/11/07 | 2022/11/07 | GENERAL TOLERANCES (UNLESS SPECIFIED) | | DIMENSION UNITS | | SCALE | |  MILLIGRID, 2MM PITCH SHROUDED HEADER R/A, THROUGH HOLE | | | | |
| | | | | MM | INCH | MM | NTS | | | | | | | |
| | | 4 PLACES | ± | ± | DRWN BY | DATE | GMENARLY | | 2015/09/29 | | PRODUCT CUSTOMER DRAWING SERIES: 87833 MATERIAL NUMBER: SEE TABLE CUSTOMER: GENERAL MARKET | | | |
| | | 3 PLACES | ± | ± | CHK'D BY | DATE | CGOH | | 2015/10/30 | | | | | |
| | | 2 PLACES | ± 0.2 | ± | APPR BY | DATE | KHLIM | | 2015/11/03 | | DOCUMENT NUMBER: SD-87833-0001 DOC TYPE: PSD DOC PART: 001 SHEET NUMBER: 3 OF 9 | | | |
| | | 1 PLACES | ± | ± | DRAWING SIZE | THIRD ANGLE PROJECTION | A3 | |  | | | | | |
| | 0 PLACES | ± | ± | ANGULAR TOL = 3.0 | | DRAFT WHERE APPLICABLE MUST REMAIN WITHIN DIMENSIONS | | | | | | | | |

| | | | | |
|----------------|----|--------------|------------|----------|
| RELEASE STATUS | P1 | RELEASE DATE | 2022/11/07 | 17:03:16 |
|----------------|----|--------------|------------|----------|

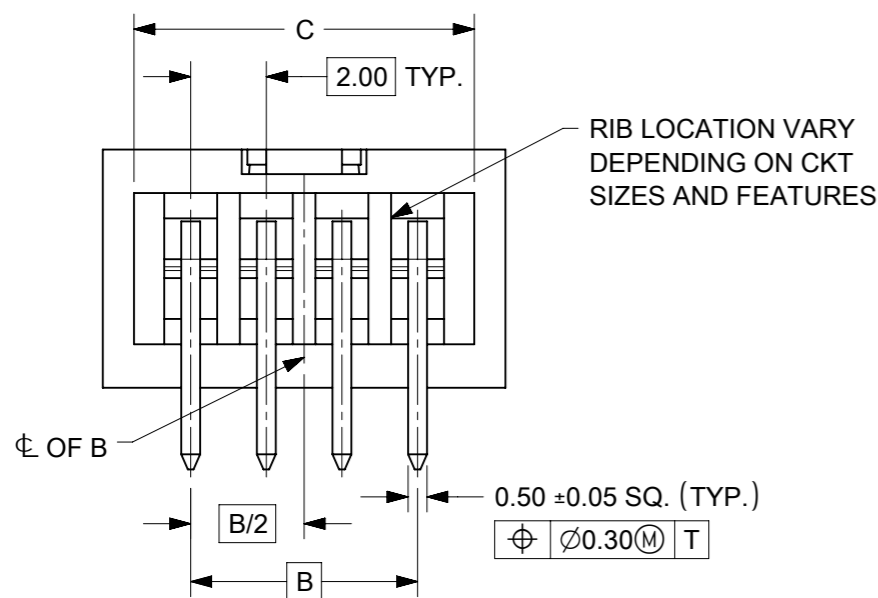
8 TO 12 CIRCUITS



ISO VIEW OF HEADER WITH CENTER POLARIZATION AND DUAL SIDE SLOTS



- NOTES:
- MATERIALS:
HOUSING: 30% GF, NYLON, UL94V-0, COLOR: BLACK
PIN: 0.50mm SQ. PHOSPHOR BRONZE.
 - FINISHES: REFER TO PLATING OPTIONS.
 - PRODUCT SPECIFICATION: PS-87831-027
 - PACKAGING SPECIFICATION: SEE PACKAGING SPECS TABLE ON SHEET 1
 - MATES WITH: A. MOLEX CRIMP RECEPTACLE HOUSING: 51110 SERIES AND CRIMP TERMINAL: 50394 SERIES.
B. MOLEX 2mm MILLIGRID DUAL ROW IDT: 87568 SERIES.
C. MOLEX 2mm MILLIGRID DUAL ROW RECEPTACLE: 79107 (GOLD PLATED), 78787 (TIN PLATED)
 - FOR ILLUSTRATION PURPOSE, 8 CIRCUIT HEADER IS SHOWN.



THIS DRAWING CONTAINS INFORMATION THAT IS PROPRIETARY TO MOLEX ELECTRONIC TECHNOLOGIES, LLC AND SHOULD NOT BE USED WITHOUT WRITTEN PERMISSION

| | | | | | | | | | | | |
|---|--|---------------------------------------|------|-----------------|------------------------|-------|--|--|--|--|--|
| EC NO: 727481 DRWN: DANUSA CHK'D: DANUSA REV APPR: MIRAMAKRISHNA | 2022/11/07 | GENERAL TOLERANCES (UNLESS SPECIFIED) | | DIMENSION UNITS | | SCALE | | | | | |
| | 2022/11/07 | MM | INCH | MM | NTS | | | | | | |
| A14 | 4 PLACES | ± | ± | DRWN BY | DATE | | | MILLIGRID, 2MM PITCH SHROUDED HEADER R/A, THROUGH HOLE PRODUCT CUSTOMER DRAWING SERIES: 87833 MATERIAL NUMBER: SEE TABLE CUSTOMER: GENERAL MARKET DOCUMENT NUMBER: SD-87833-0001 DOC TYPE: PSD DOC PART: 001 SHEET NUMBER: 4 OF 9 | | | |
| | 3 PLACES | ± | ± | GMENARLY | 2015/09/29 | | | | | | |
| | 2 PLACES | ± 0.2 | ± | CHK'D BY | DATE | | | | | | |
| | 1 PLACES | ± | ± | CGOH | 2015/10/30 | | | | | | |
| | 0 PLACES | ± | ± | APPR BY | DATE | | | | | | |
| | ANGULAR TOL = 3.0 | | | KHLIM | 2015/11/03 | | | | | | |
| | DRAFT WHERE APPLICABLE MUST REMAIN WITHIN DIMENSIONS | | | DRAWING SIZE | THIRD ANGLE PROJECTION | | | | | | |
| | | | | A3 | | | | | | | |


8 TO 12 CIRCUITS

| CKT SIZE | ASSY. P/N WITHOUT KAPTON IN TUBE | ASSY. P/N WITH KAPTON IN TUBE | ASSY. P/N WITH KAPTON IN T&R | PLATING OPTIONS | FRICTION LOCKS | | DUAL SIDE SLOTS | CENTER POLARIZATION | DIMENSION | | | | | | | |
|----------|----------------------------------|-------------------------------|------------------------------|-----------------|----------------|--------|-----------------|---------------------|-----------|-------|-------|-------|-----|------|-----------------|------|
| | | | | | DUAL | CENTER | | | A | B | C | D | E | F | G (SOLDER TAIL) | |
| 8 | 87833-0819 | N.A | N.A | 1 | N.A | N.A | YES | YES | 10.65 | 6.00 | 9.00 | 8.85 | N.A | N.A | 2.16 | |
| | 87833-0820 | N.A | N.A | 2 | | | | | | | | | | | | |
| | 87833-0821 | N.A | 87833-7621 | 3 | | | | | | | | | | | | |
| | 87833-6320 | N.A | N.A | 2 | N.A | N.A | YES | YES | | | | | | N.A | 3.00 | 2.16 |
| | 87833-6321 | N.A | N.A | 3 | | | | | | | | | | | | |
| | 87833-0831 | 87833-0841 | 87833-0851 | 2 | N.A | YES | YES | N.A | | | | | | 3.00 | 3.18 | |
| | 87833-0832 | N.A | N.A | 3 | | | | | | | | | | | | |
| | 87833-0861 | N.A | N.A | 2 | N.A | YES | YES | N.A | | | | | | 3.00 | 2.92 | |
| | 87833-0824 | N.A | N.A | 2 | | | | | | | | | | | | |
| | 87833-0825 | N.A | N.A | 3 | | | | | | | | | | | | |
| 10 | 87833-1019 | N.A | N.A | 1 | N.A | N.A | YES | YES | 12.65 | 8.00 | 11.00 | 10.85 | N.A | N.A | 2.16 | |
| | 87833-1020 | N.A | 87833-1026 | 2 | | | | | | | | | | | | |
| | 87833-1021 | N.A | N.A | 3 | | | | | | | | | | | | |
| | 87833-1031 | N.A | 87833-1027 | 2 | N.A | YES | YES | N.A | | | | | | 4.00 | 2.16 | |
| | 87833-1032 | N.A | N.A | 3 | | | | | | | | | | | | |
| | N.A | 87833-1041 | 87833-1051 | 2 | N.A | YES | YES | N.A | | | | | | 4.00 | 1.70 | |
| | 87833-1024 | N.A | N.A | 2 | | | | | | | | | | | | |
| | 87833-1025 | N.A | N.A | 3 | | | | | | | | | | | | |
| 12 | 87833-1219 | N.A | N.A | 1 | N.A | N.A | YES | YES | 14.65 | 10.00 | 13.00 | 12.85 | N.A | N.A | 2.16 | |
| | 87833-1220 | N.A | 87833-1240 | 2 | | | | | | | | | | | | |
| | 87833-1221 | N.A | N.A | 3 | | | | | | | | | | | | |
| | 87833-6020 | N.A | N.A | 2 | N.A | N.A | YES | YES | | | | | | N.A | 3.18 | |
| | 87833-1231 | N.A | N.A | 2 | | | | | | | | | | | | |
| | 87833-1232 | N.A | N.A | 3 | N.A | YES | YES | N.A | | | | | | 5.00 | 2.16 | |
| | 87833-1224 | N.A | N.A | 2 | | | | | | | | | | | | |
| | 87833-1225 | N.A | N.A | 3 | | | | | | | | | | | | |

PLATING OPTIONS:

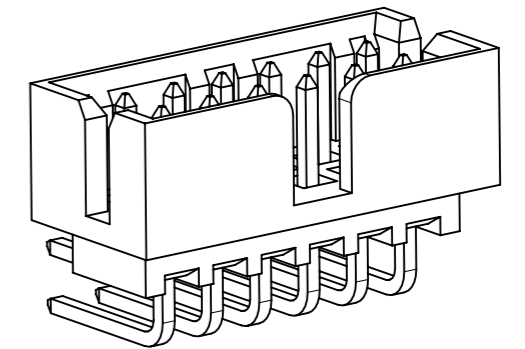
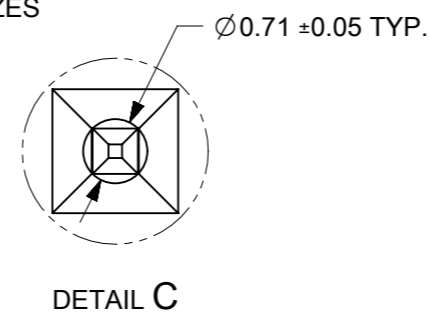
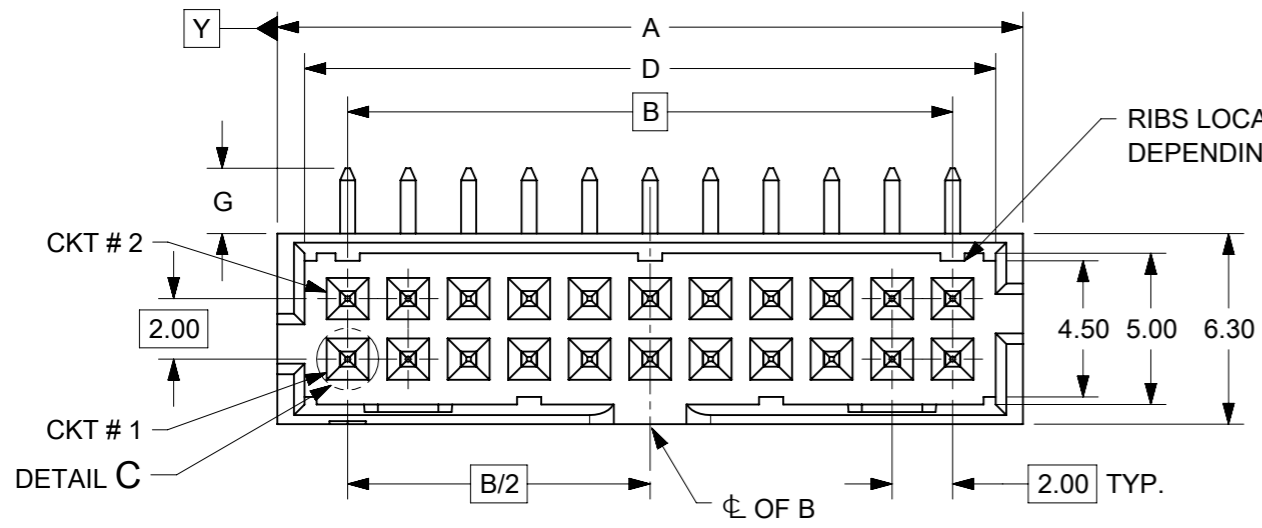
- 1 - 0.05-0.13µm/2-5µin GOLD IN CONTACT AREA AND 1.88µm/75µin MIN. MATTE TIN IN SOLDER TAIL AREA OVER 1.27µm/50µin MIN. NICKEL OVERALL.
- 2 - 0.38µm/15µin MIN. GOLD IN CONTACT AREA AND 1.88µm/75µin MIN. MATTE TIN IN SOLDER TAIL AREA OVER 1.27µm/50µin MIN. NICKEL OVERALL.
- 3 - 0.76µm/30µin MIN. GOLD IN CONTACT AREA AND 1.88µm/75µin MIN. MATTE TIN IN SOLDER TAIL AREA OVER 1.27µm/50µin MIN. NICKEL OVERALL.

THIS DRAWING CONTAINS INFORMATION THAT IS PROPRIETARY TO MOLEX ELECTRONIC TECHNOLOGIES, LLC AND SHOULD NOT BE USED WITHOUT WRITTEN PERMISSION

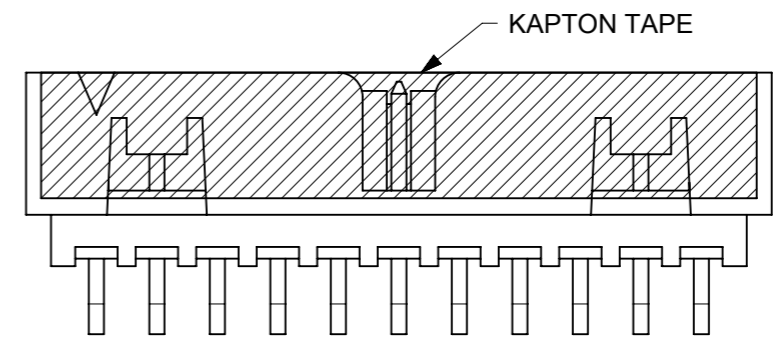
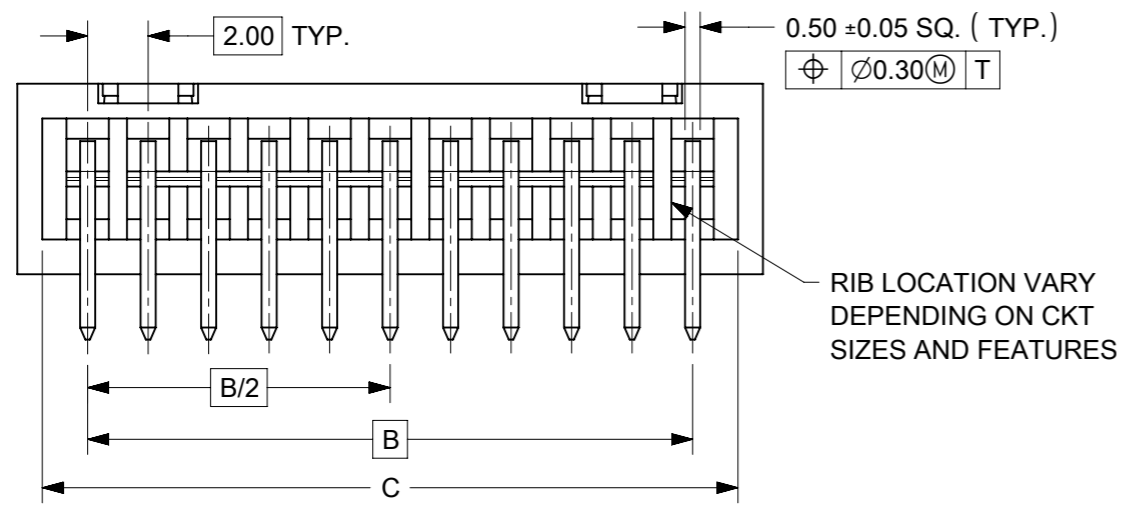
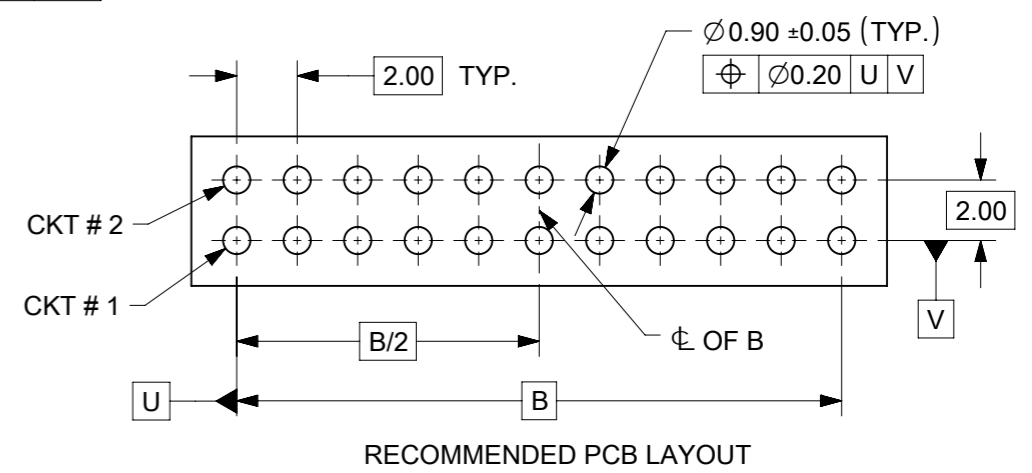
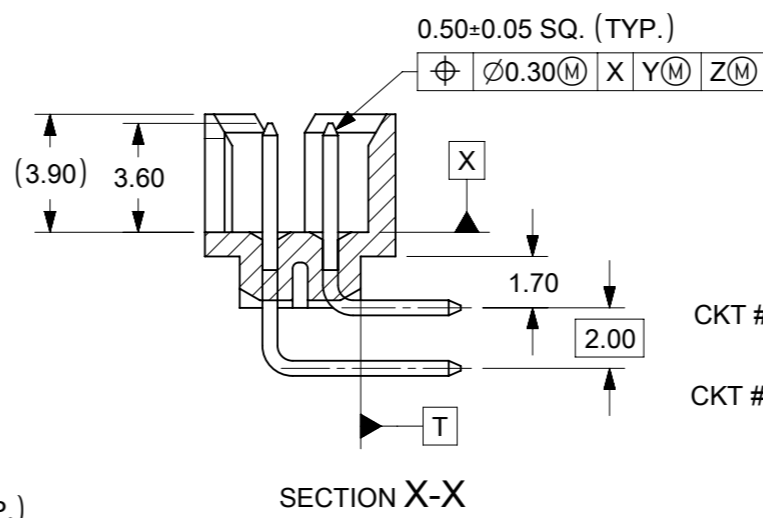
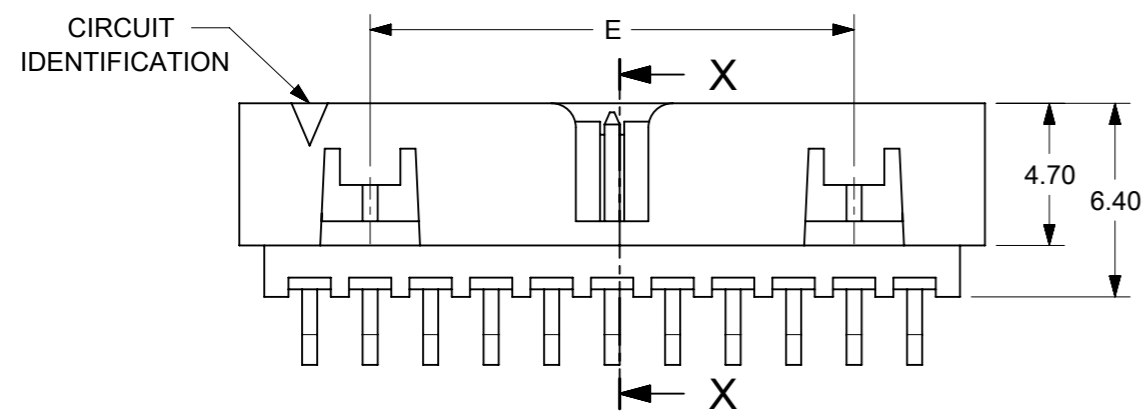
| | | | | | | | | |
|--|-------------------|---------------------------------------|--|-----------------|------------|------------------------------------|---|---|
| EC NO: 727481 DRWN: DANUSA CHKD: DANUSA REV APPR: MIRAMAKRISHNA | 2022/11/07 | GENERAL TOLERANCES (UNLESS SPECIFIED) | | DIMENSION UNITS | | SCALE | |  <p>MILLIGRID, 2MM PITCH SHROUDED HEADER R/A, THROUGH HOLE</p> <p>PRODUCT CUSTOMER DRAWING</p> <p>SERIES: 87833 MATERIAL NUMBER: SEE TABLE CUSTOMER: GENERAL MARKET</p> <p>DOCUMENT NUMBER: SD-87833-0001 DOC TYPE: PSD DOC PART: 001 SHEET NUMBER: 5 OF 9</p> |
| | 2022/11/07 | MM | INCH | MM | NTS | DRWN BY: GMENARLY DATE: 2015/09/29 | | |
| | 2022/11/07 | 4 PLACES ± | ± | 3 PLACES ± | ± | CHK'D BY: CGOH DATE: 2015/10/30 | | |
| | | 2 PLACES ± | 0.2 | ± | 1 PLACES ± | ± | APPR BY: KHLIM DATE: 2015/11/03 | |
| | | 0 PLACES ± | ± | ± | 0 PLACES ± | ± | DRAWING SIZE: A3 THIRD ANGLE PROJECTION | |
| | ANGULAR TOL = 3.0 | | DRAFT WHERE APPLICABLE MUST REMAIN WITHIN DIMENSIONS | | | | | |

| | | | | |
|----------------|----|--------------|------------|----------|
| RELEASE STATUS | P1 | RELEASE DATE | 2022/11/07 | 17:03:16 |
|----------------|----|--------------|------------|----------|

14 TO 50 CIRCUITS



ISO VIEW OF HEADER WITH CENTER POLARIZATION AND DUAL SIDE SLOTS



- NOTES:**
- MATERIALS:**
HOUSING: 30% GF, NYLON, UL94V-0, COLOR: BLACK.
PIN: 0.50mm SQ PHOSPHOR BRONZE.
 - FINISHES:** REFER TO PLATING OPTIONS.
 - PRODUCT SPECIFICATION:** PS-87831-027
 - PACKAGING SPECIFICATION:** SEE PACKAGING SPECS TABLE ON SHEET 1
 - MATES WITH:** A. MOLEX CRIMP RECEPTACLE HOUSING: 51110 SERIES AND CRIMP TERMINAL: 50394 SERIES.
B. MOLEX 2mm MILLIGRID DUAL ROW IDT: 87568 SERIES.
C. MOLEX 2mm MILLIGRID DUAL ROW RECEPTACLE: 79107 (GOLD PLATED), 78787 (TIN PLATED)
 - FOR ILLUSTRATION PURPOSE, 22 CIRCUITS HEADER IS SHOWN.**

THIS DRAWING CONTAINS INFORMATION THAT IS PROPRIETARY TO MOLEX ELECTRONIC TECHNOLOGIES, LLC AND SHOULD NOT BE USED WITHOUT WRITTEN PERMISSION

| | | | | | | | |
|---|------------|--|-------|-----------------|------------------------|--|------------|
| EC NO: 727481 DRWN: DANUSA CHK'D: DANUSA REV APPR: MIRAMAKRISHNA | 2022/11/07 | GENERAL TOLERANCES (UNLESS SPECIFIED) | | DIMENSION UNITS | SCALE | | |
| | 2022/11/07 | MM | INCH | MM | NTS | | |
| | 2022/11/07 | 4 PLACES | ± | ± | DRWN BY | | DATE |
| | | 3 PLACES | ± | ± | GMENARLY | | 2015/09/29 |
| | | 2 PLACES | ± 0.2 | ± | CHK'D BY | | DATE |
| | 1 PLACES | ± | ± | CGOH | 2015/10/30 | | |
| | 0 PLACES | ± | ± | APPR BY | DATE | | |
| | | | | KHLIM | 2015/11/03 | | |
| | | ANGULAR TOL = 3.0 | | DRAWING SIZE | THIRD ANGLE PROJECTION | SERIES: 87833 MATERIAL NUMBER: SEE TABLE CUSTOMER: GENERAL MARKET | |
| | | DRAFT WHERE APPLICABLE MUST REMAIN WITHIN DIMENSIONS | | A3 | | DOCUMENT NUMBER: SD-87833-0001 DOC TYPE: PSD DOC PART: 001 SHEET NUMBER: 6 OF 9 | |


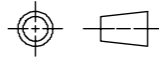
14 TO 24 CIRCUITS

| CKT SIZE | ASSY. P/N WITHOUT KAPTON IN TUBE | ASSY. P/N WITH KAPTON IN TUBE | ASSY. P/N WITH KAPTON IN T&R | ASSY. P/N WITHOUT KAPTON IN T&R | PLATING OPTIONS | FRICTION LOCKS | | DUAL SIDE SLOTS | CENTER POLARIZATION | DIMENSION | | | | | | | | | | | | | | | | |
|------------|----------------------------------|-------------------------------|------------------------------|---------------------------------|-----------------|----------------|--------|-----------------|---------------------|-----------|-------|-------|-------|-------|-----|-----------------|-------|-------|-------|-------|-------|-------|-------|-------|-----|------|
| | | | | | | DUAL | CENTER | | | A | B | C | D | E | F | G (SOLDER TAIL) | | | | | | | | | | |
| 14 | 87833-1419 | N.A | N.A | N.A | 1 | YES | N.A | YES | YES | 16.65 | 12.00 | 15.00 | 14.85 | 8.00 | N.A | 2.16 | | | | | | | | | | |
| | 87833-1420 | N.A | N.A | N.A | 2 | | | | | | | | | | | | | | | | | | | | | |
| | 87833-1421 | N.A | N.A | N.A | 3 | | | | | | | | | | | | | | | | | | | | | |
| | 87833-5320 | N.A | N.A | N.A | 2 | YES | N.A | YES | YES | | | | | | | 16.65 | 12.00 | 15.00 | 14.85 | 8.00 | N.A | 3.18 | | | | |
| | 87833-5321 | N.A | N.A | N.A | 3 | | | | | | | | | | | | | | | | | | | | | |
| | 87833-1436 | N.A | N.A | N.A | 3 | | | | | | | | | | | | | | | | | | | | | |
| | N.A | N.A | 87833-7420 | N.A | 2 | | | | | | | | | | | | | | | | | | | | | |
| 16 | 87833-1619 | N.A | N.A | N.A | 1 | YES | N.A | YES | YES | 18.65 | 14.00 | 17.00 | 16.85 | 10.00 | N.A | | | | | | | 2.16 | | | | |
| | 87833-1620 | N.A | N.A | N.A | 2 | | | | | | | | | | | | | | | | | | | | | |
| | 87833-1621 | N.A | 87833-7821 | N.A | 3 | | | | | | | | | | | | | | | | | | | | | |
| | 87833-6120 | N.A | 87833-7120 | N.A | 2 | | | | | | | | | | | | | | | | | | | | | |
| 18 | 87833-1819 | N.A | N.A | N.A | 1 | YES | N.A | YES | YES | 20.65 | 16.00 | 19.00 | 18.85 | 12.00 | N.A | 2.16 | | | | | | | | | | |
| | 87833-1820 | N.A | N.A | N.A | 2 | | | | | | | | | | | | | | | | | | | | | |
| | 87833-1821 | N.A | N.A | N.A | 3 | | | | | | | | | | | | | | | | | | | | | |
| | 87833-6220 | N.A | N.A | N.A | 2 | | | | | | | | | | | | | | | | | | | | | |
| 20 | 87833-2019 | N.A | N.A | N.A | 1 | YES | N.A | YES | YES | 22.65 | 18.00 | 21.00 | 20.85 | 14.00 | N.A | 2.16 | | | | | | | | | | |
| | 87833-2020 | N.A | 87833-7220 | N.A | 2 | | | | | | | | | | | | | | | | | | | | | |
| | 87833-2021 | N.A | N.A | N.A | 3 | | | | | | | | | | | | | | | | | | | | | |
| | 87833-6520 | N.A | N.A | N.A | 2 | YES | N.A | YES | YES | | | | | | | 22.65 | 18.00 | 21.00 | 20.85 | 14.00 | N.A | 3.18 | | | | |
| | 87833-6521 | N.A | N.A | (A14) 87833-2037 | 3 | | | | | | | | | | | | | | | | | | | | | |
| | 87833-2036 | N.A | N.A | N.A | 3 | | | | | | | | | | | | | | | | | | | | | |
| 87833-2219 | N.A | N.A | N.A | 1 | | | | | | | | | | | | | | | | | | | | | | |
| 22 | 87833-2220 | N.A | N.A | N.A | 2 | YES | N.A | YES | YES | 24.65 | 20.00 | 23.00 | 22.85 | 16.00 | N.A | | | | | | | 2.16 | | | | |
| | 87833-2221 | N.A | N.A | N.A | 3 | | | | | | | | | | | | | | | | | | | | | |
| | 87833-2419 | N.A | N.A | N.A | 1 | | | | | | | | | | | | | | | | | | | | | |
| 24 | 87833-2420 | N.A | 87833-7020 | N.A | 2 | YES | N.A | YES | YES | 26.65 | 22.00 | 25.00 | 24.85 | 18.00 | N.A | 2.16 | | | | | | | | | | |
| | 87833-2421 | N.A | N.A | N.A | 3 | | | | | | | | | | | | | | | | | | | | | |
| | 87833-7320 | N.A | N.A | N.A | 2 | | | | | | | | | | | YES | N.A | YES | YES | 26.65 | 22.00 | 25.00 | 24.85 | 18.00 | N.A | 2.00 |
| | 87833-2436 | N.A | N.A | N.A | 3 | | | | | | | | | | | | | | | | | | | | | |
| | 87833-6920 | N.A | N.A | N.A | 2 | | | | | | | | | | | | | | | | | | | | | |
| | 87833-6920 | N.A | N.A | N.A | 2 | | | | | | | | | | | | | | | | | | | | | |

PLATING OPTIONS:

- 1 - 0.05-0.13µm/2-5µin GOLD IN CONTACT AREA AND 1.88µm/75µin MIN. MATTE TIN IN SOLDER TAIL AREA OVER 1.27µm/50µin MIN. NICKEL OVERALL.
- 2 - 0.38µm/15µin MIN. GOLD IN CONTACT AREA AND 1.88µm/75µin MIN. MATTE TIN IN SOLDER TAIL AREA OVER 1.27µm/50µin MIN. NICKEL OVERALL.
- 3 - 0.76µm/30µin MIN. GOLD IN CONTACT AREA AND 1.88µm/75µin MIN. MATTE TIN IN SOLDER TAIL AREA OVER 1.27µm/50µin MIN. NICKEL OVERALL.

THIS DRAWING CONTAINS INFORMATION THAT IS PROPRIETARY TO MOLEX ELECTRONIC TECHNOLOGIES, LLC AND SHOULD NOT BE USED WITHOUT WRITTEN PERMISSION

| | | | | | | | | | | |
|---|---------------------------------------|-------|-----------------|---|---|---|---|--|--|--|
| EC NO: 727481 DRWN: DANUSA CHK'D: DANUSA REV APPR: MIRAMAKRISHNA 2022/11/07 2022/11/07 2022/11/07 | GENERAL TOLERANCES (UNLESS SPECIFIED) | | DIMENSION UNITS | | SCALE | |  | | | |
| | | | MM | INCH | MM | NTS | | | | |
| | 4 PLACES | ± | ± | DRWN BY | DATE | MILLIGRID, 2MM PITCH SHROUDED HEADER R/A, THROUGH HOLE | | | | |
| | 3 PLACES | ± | ± | GMENARLY | 2015/09/29 | | | | | |
| | 2 PLACES | ± 0.2 | ± | CHK'D BY | DATE | PRODUCT CUSTOMER DRAWING | | | | |
| | 1 PLACES | ± | ± | CGOH | 2015/10/30 | | | | | |
| 0 PLACES | ± | ± | APPR BY | DATE | SERIES: 87833 MATERIAL NUMBER: SEE TABLE CUSTOMER: GENERAL MARKET | | | | | |
| ANGULAR TOL = 3.0 | | | KHLIM | 2015/11/03 | | | | | | |
| DRAFT WHERE APPLICABLE MUST REMAIN WITHIN DIMENSIONS | | | DRAWING SIZE | THIRD ANGLE PROJECTION | DOCUMENT NUMBER: SD-87833-0001 DOC TYPE: PSD DOC PART: 001 SHEET NUMBER: 7 OF 9 | | | | | |
| | | | A3 |  | | | | | | |


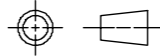
26 TO 38 CIRCUITS

| CKT SIZE | ASSY. P/N WITHOUT KAPTON IN TUBE | ASSY. P/N WITH KAPTON IN TUBE | ASSY. P/N WITH KAPTON IN T&R | PLATING OPTIONS | FRICTION LOCKS | | DUAL SIDE SLOTS | CENTER POLARIZATION | DIMENSION | | | | | | | |
|------------|----------------------------------|-------------------------------|------------------------------|-----------------|----------------|--------|-----------------|---------------------|-----------|-------|-------|-------|-------|-----|-----------------|------|
| | | | | | DUAL | CENTER | | | A | B | C | D | E | F | G (SOLDER TAIL) | |
| 26 | 87833-2619 | N.A | N.A | 1 | | | | | | | | | | | | |
| | 87833-2620 | N.A | N.A | 2 | YES | N.A | YES | YES | 28.65 | 24.00 | 27.00 | 26.85 | 20.00 | N.A | 2.16 | |
| | 87833-2621 | N.A | N.A | 3 | | | | | | | | | | | | |
| | 87833-2636 | N.A | N.A | 3 | YES | N.A | YES | YES | | | | | | | | 3.50 |
| 87833-2819 | N.A | N.A | 1 | | | | | | | | | | | | | |
| 28 | 87833-2820 | N.A | N.A | 2 | YES | N.A | YES | YES | 30.65 | 26.00 | 29.00 | 28.85 | 22.00 | N.A | 2.16 | |
| | 87833-2821 | N.A | N.A | 3 | | | | | | | | | | | | |
| | 87833-6620 | N.A | N.A | 2 | YES | N.A | YES | YES | | | | | | | | 3.18 |
| | 87833-3019 | N.A | N.A | 1 | | | | | | | | | | | | |
| 30 | 87833-3020 | N.A | N.A | 2 | YES | N.A | YES | YES | 32.65 | 28.00 | 31.00 | 30.85 | 24.00 | N.A | 2.16 | |
| | 87833-3021 | N.A | N.A | 3 | | | | | | | | | | | | |
| | 87833-6720 | N.A | N.A | 2 | YES | N.A | YES | YES | | | | | | | | 3.18 |
| | 87833-6721 | N.A | N.A | 3 | | | | | | | | | | | | |
| | 87833-3036 | N.A | N.A | 3 | YES | N.A | YES | YES | | | | | | | 3.50 | |
| | 87833-3219 | N.A | N.A | 1 | | | | | | | | | | | | |
| 32 | 87833-3220 | N.A | N.A | 2 | YES | N.A | YES | YES | 34.65 | 30.00 | 33.00 | 32.85 | 26.00 | N.A | 2.16 | |
| | 87833-3221 | N.A | N.A | 3 | | | | | | | | | | | | |
| | 87833-3419 | N.A | N.A | 1 | | | | | | | | | | | | |
| 34 | 87833-3420 | N.A | N.A | 2 | YES | N.A | YES | YES | 36.65 | 32.00 | 35.00 | 34.85 | 28.00 | N.A | 2.16 | |
| | 87833-3421 | N.A | N.A | 3 | | | | | | | | | | | | |
| | 87833-5420 | N.A | N.A | 2 | YES | N.A | YES | YES | | | | | | | | 3.18 |
| | 87833-3424 | N.A | N.A | 2 | N.A | N.A | YES | YES | | | | | | | 2.92 | |
| | 87833-3619 | N.A | N.A | 1 | | | | | | | | | | | | |
| 36 | 87833-3620 | N.A | N.A | 2 | YES | N.A | YES | YES | 38.65 | 34.00 | 37.00 | 36.85 | 30.00 | N.A | 2.16 | |
| | 87833-3621 | N.A | N.A | 3 | | | | | | | | | | | | |
| | 87833-3819 | N.A | N.A | 1 | | | | | | | | | | | | |
| 38 | 87833-3820 | N.A | N.A | 2 | YES | N.A | YES | YES | 40.65 | 36.00 | 39.00 | 38.85 | 32.00 | N.A | 2.16 | |
| | 87833-3821 | N.A | N.A | 3 | | | | | | | | | | | | |

PLATING OPTIONS:

- 1 - 0.05-0.13µm/2-5µin GOLD IN CONTACT AREA AND 1.88µm/75µin MIN. MATTE TIN IN SOLDER TAIL AREA OVER 1.27µm/50µin MIN. NICKEL OVERALL.
- 2 - 0.38µm/15µin MIN. GOLD IN CONTACT AREA AND 1.88µm/75µin MIN. MATTE TIN IN SOLDER TAIL AREA OVER 1.27µm/50µin MIN. NICKEL OVERALL.
- 3 - 0.76µm/30µin MIN. GOLD IN CONTACT AREA AND 1.88µm/75µin MIN. MATTE TIN IN SOLDER TAIL AREA OVER 1.27µm/50µin MIN. NICKEL OVERALL.

THIS DRAWING CONTAINS INFORMATION THAT IS PROPRIETARY TO MOLEX ELECTRONIC TECHNOLOGIES, LLC AND SHOULD NOT BE USED WITHOUT WRITTEN PERMISSION

| | | | | | | | | | | | |
|--|------------|---------------------------------------|--|-----------------|-----------------|---|------------------------|---|----------|--------------------------|--------------|
| EC NO: 727481 DRWN: DANUSA CHKD: DANUSA REV APPR: MIRAMAKRISHNA | 2022/11/07 | GENERAL TOLERANCES (UNLESS SPECIFIED) | | DIMENSION UNITS | | SCALE | |  | | | |
| | 2022/11/07 | MM | INCH | MM | NTS | MILLIGRID, 2MM PITCH SHROUDED HEADER R/A, THROUGH HOLE | | | | | |
| | 2022/11/07 | 4 PLACES ± | ± | DRWN BY | DATE | | | | | PRODUCT CUSTOMER DRAWING | |
| | | 3 PLACES ± | ± | GMENARLY | 2015/09/29 | SERIES | MATERIAL NUMBER | CUSTOMER | | | |
| | | 2 PLACES ± 0.2 | ± | CHK'D BY | DATE | 87833 | SEE TABLE | GENERAL MARKET | | | |
| | 1 PLACES ± | ± | CGOH | 2015/10/30 | DOCUMENT NUMBER | | | | DOC TYPE | DOC PART | SHEET NUMBER |
| | 0 PLACES ± | ± | APPR BY | DATE | SD-87833-0001 | | | | PSD | 001 | 8 OF 9 |
| | | | KHLIM | 2015/11/03 | DRAWING SIZE | | THIRD ANGLE PROJECTION | | | | |
| | | | ANGULAR TOL = 3.0 | A3 | |  | | | | | |
| | | | DRAFT WHERE APPLICABLE MUST REMAIN WITHIN DIMENSIONS | | | | | | | | |

40 TO 50 CIRCUITS

| CKT SIZE | ASSY. P/N WITHOUT KAPTON IN TUBE | ASSY. P/N WITH KAPTON IN TUBE | ASSY. P/N WITH KAPTON IN T&R | ASSY. P/N WITHOUT KAPTON IN T&R | PLATING OPTIONS | FRICTION LOCKS | | DUAL SIDE SLOTS | CENTER POLARIZATION | DIMENSION | | | | | | | | | | |
|----------|----------------------------------|-------------------------------|------------------------------|---------------------------------|-----------------|----------------|--------|-----------------|---------------------|-----------|-------|-------|-------|-------|-------|-----------------|-------|-------|-----|------|
| | | | | | | DUAL | CENTER | | | A | B | C | D | E | F | G (SOLDER TAIL) | | | | |
| 40 | 87833-4019 | N.A | N.A | N.A | 1 | | | | | | | | | | | | | | | |
| | 87833-4020 | N.A | N.A | N.A | 2 | YES | N.A | YES | YES | 42.65 | 38.00 | 41.00 | 40.85 | 34.00 | N.A | 2.16 | | | | |
| | 87833-4021 | N.A | N.A | N.A | 3 | | | | | | | | | | | | | | | |
| 42 | 87833-4219 | N.A | N.A | N.A | 1 | | | | | | | | | | | | | | | |
| | 87833-4220 | N.A | N.A | N.A | 2 | YES | N.A | YES | YES | 44.65 | 40.00 | 43.00 | 42.85 | 36.00 | N.A | 2.16 | | | | |
| | 87833-4221 | N.A | N.A | N.A | 3 | | | | | | | | | | | | | | | |
| | 87833-4222 | N.A | 87833-4322 | 87833-4223 | 3 | YES | N.A | YES | YES | | | | | | | 3.50 | | | | |
| 44 | 87833-4419 | N.A | N.A | N.A | 1 | | | | | | | | | | | | | | | |
| | 87833-4420 | N.A | N.A | N.A | 2 | | | | | 44.65 | 40.00 | 43.00 | 42.85 | 2.16 | 42.00 | 45.00 | 44.85 | 38.00 | N.A | 2.16 |
| | 87833-4421 | N.A | N.A | N.A | 3 | | | | | | | | | | | | | | | |
| | 87833-4424 | N.A | N.A | N.A | 2 | | | | | N.A | N.A | YES | YES | | | | | | | |
| | 87833-4425 | N.A | N.A | N.A | 3 | | | | | | | | | | | | | | | |
| 46 | 87833-4619 | N.A | N.A | N.A | 1 | | | | | | | | | | | | | | | |
| | 87833-4620 | N.A | N.A | N.A | 2 | YES | N.A | YES | YES | 48.65 | 44.00 | 47.00 | 46.85 | 40.00 | N.A | 2.16 | | | | |
| | 87833-4621 | N.A | N.A | N.A | 3 | | | | | | | | | | | | | | | |
| 48 | 87833-4819 | N.A | N.A | N.A | 1 | | | | | | | | | | | | | | | |
| | 87833-4820 | N.A | N.A | N.A | 2 | YES | N.A | YES | YES | 50.65 | 46.00 | 49.00 | 48.85 | 42.00 | N.A | 2.16 | | | | |
| | 87833-4821 | N.A | N.A | N.A | 3 | | | | | | | | | | | | | | | |
| 50 | 87833-5019 | N.A | N.A | N.A | 1 | | | | | | | | | | | | | | | |
| | 87833-5020 | N.A | N.A | N.A | 2 | YES | N.A | YES | YES | 52.65 | 48.00 | 51.00 | 50.85 | 44.00 | N.A | 2.16 | | | | |
| | 87833-5021 | N.A | N.A | N.A | 3 | | | | | | | | | | | | | | | |

PLATING OPTIONS:

- 1 - 0.05-0.13µm/2-5µin GOLD IN CONTACT AREA AND 1.88µm/75µin MIN. MATTE TIN IN SOLDER TAIL AREA OVER 1.27µm/50µin MIN. NICKEL OVERALL.
- 2 - 0.38µm/15µin MIN. GOLD IN CONTACT AREA AND 1.88µm/75µin MIN. MATTE TIN IN SOLDER TAIL AREA OVER 1.27µm/50µin MIN. NICKEL OVERALL.
- 3 - 0.76µm/30µin MIN. GOLD IN CONTACT AREA AND 1.88µm/75µin MIN. MATTE TIN IN SOLDER TAIL AREA OVER 1.27µm/50µin MIN. NICKEL OVERALL.

THIS DRAWING CONTAINS INFORMATION THAT IS PROPRIETARY TO MOLEX ELECTRONIC TECHNOLOGIES, LLC AND SHOULD NOT BE USED WITHOUT WRITTEN PERMISSION

| | | | | | | | | | | |
|--|---------------------------------------|--------------|-----------------|------------------------|----------|-----------------|---|----------------|----------|--------------|
| EC NO: 727481 DRWN: DANUSA CHKD: DANUSA REV APPR: MIRAMAKRISHNA | GENERAL TOLERANCES (UNLESS SPECIFIED) | | DIMENSION UNITS | | SCALE | | molex® | | | |
| | | | MM | INCH | MM | NTS | | | | |
| | 4 PLACES | ± | | | DRWN BY | DATE | MILLIGRID, 2MM PITCH SHROUDED HEADER R/A, THROUGH HOLE | | | |
| | 3 PLACES | ± | | | GMENARLY | 2015/09/29 | | | | |
| | 2 PLACES | ± 0.2 | | | CHK'D BY | DATE | | | | |
| | 1 PLACES | ± | | | CGOH | 2015/10/30 | PRODUCT CUSTOMER DRAWING | | | |
| 0 PLACES | ± | | | APPR BY | DATE | | | | | |
| ANGULAR TOL = 3.0 | | DRAWING SIZE | | THIRD ANGLE PROJECTION | | SERIES | MATERIAL NUMBER | CUSTOMER | | |
| DRAFT WHERE APPLICABLE MUST REMAIN WITHIN DIMENSIONS | | A3 | | | | 87833 | SEE TABLE | GENERAL MARKET | | |
| | | | | | | DOCUMENT NUMBER | | DOC TYPE | DOC PART | SHEET NUMBER |
| | | | | | | SD-87833-0001 | | PSD | 001 | 9 OF 9 |

| | | | | |
|----------------|----|--------------|------------|----------|
| RELEASE STATUS | P1 | RELEASE DATE | 2022/11/07 | 17:03:16 |
|----------------|----|--------------|------------|----------|