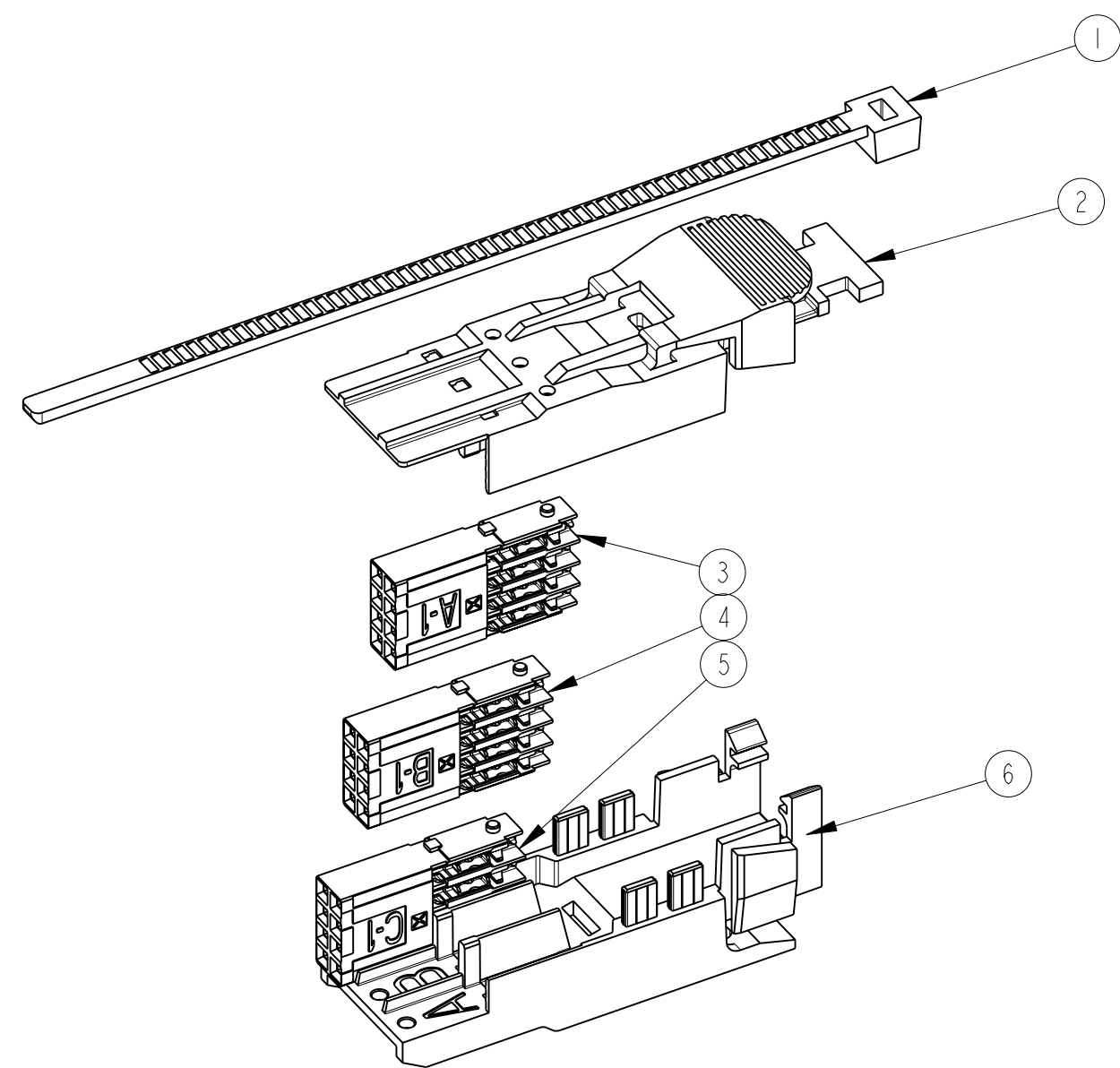
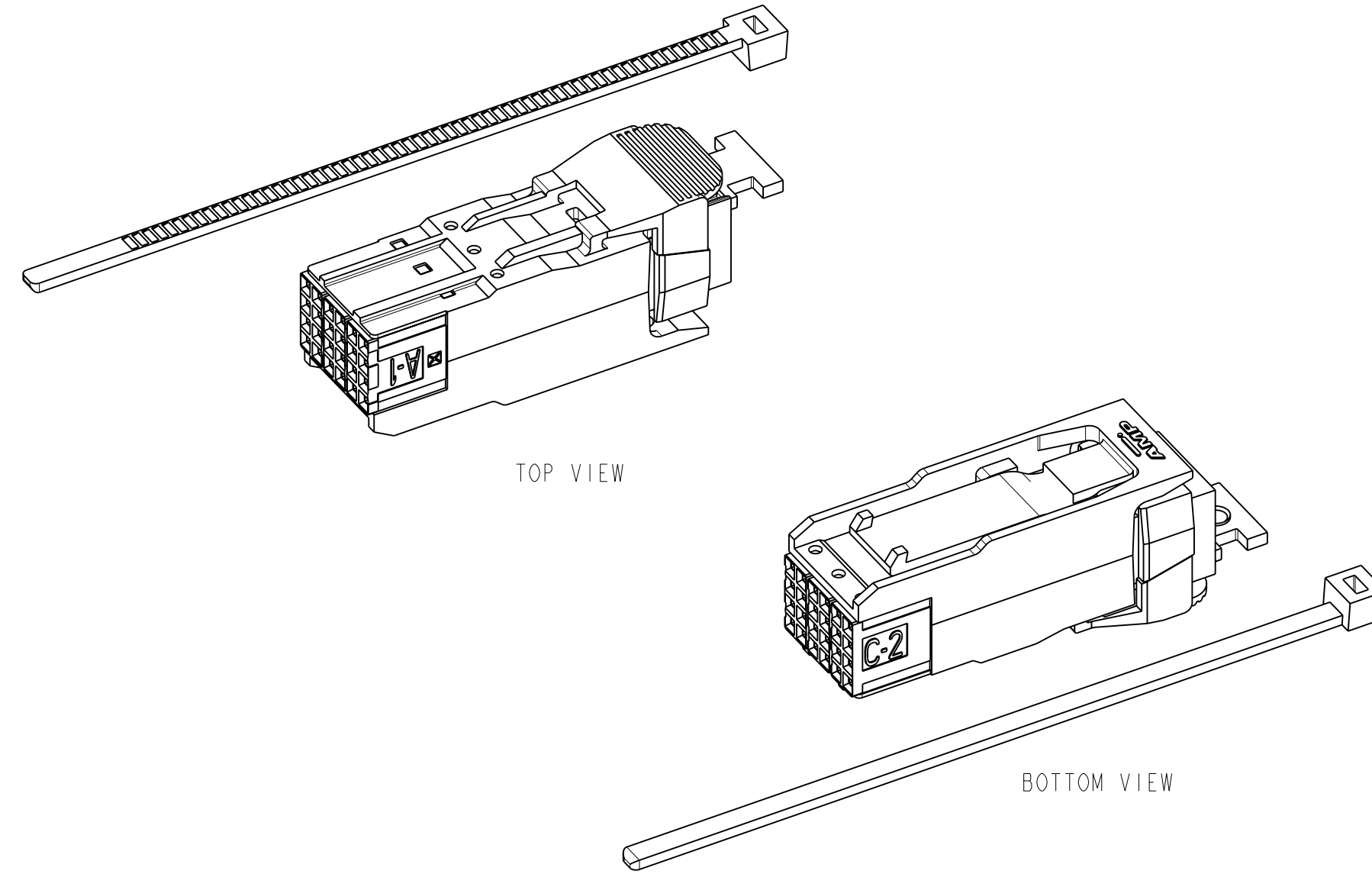
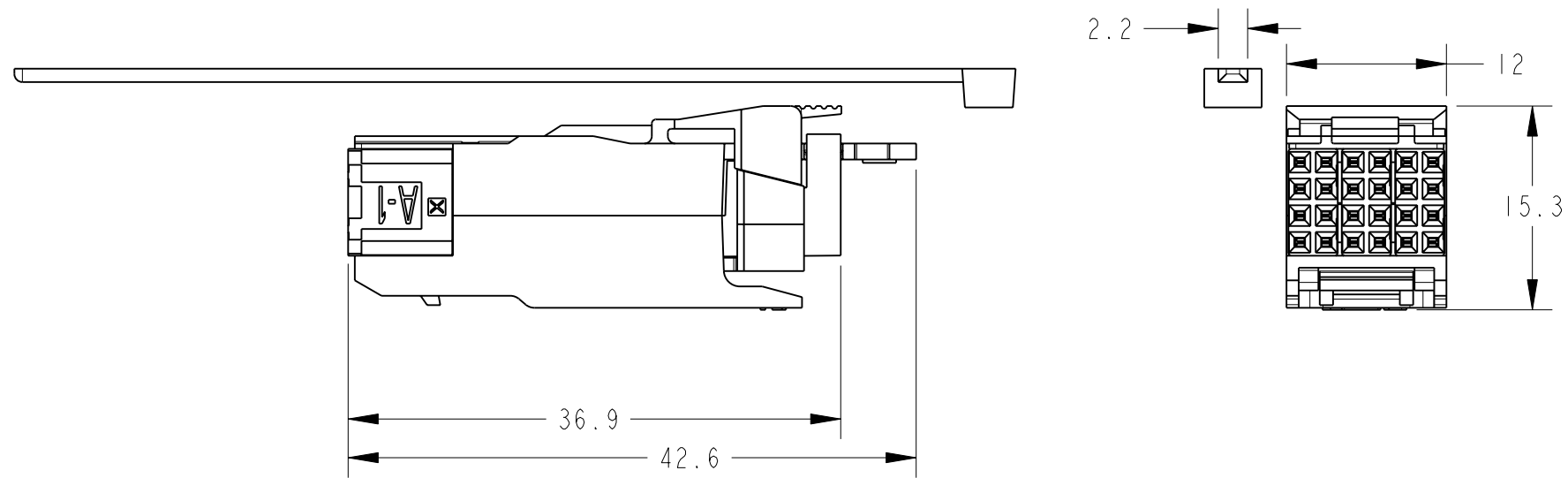


THIS DRAWING IS UNPUBLISHED. RELEASED FOR PUBLICATION 2009
 © COPYRIGHT 2009 BY TYCO ELECTRONICS CORPORATION. ALL INTERNATIONAL RIGHTS RESERVED.

LOC		DIST		REVISIONS			
P	LTR	DESCRIPTION	DATE	DWN	APVD		
E		EH01-0803-03	07JUL03	-	MVE		
F		ECR-06-015204	22JUN2006	-	JB		
FI		ECR-10-001213	09APR10	RK	SRE		



NOTES

1. THE CONNECTOR CONTAINS 3 MODULES OF 2X4 CONTACTS FORMING A 2MM CONTACT GRID.
2. THE CONNECTOR MATES WITH Z-PACK 2mm FUTUREBUS+ RECEPTACLE ASSEMBLIES ACCORDING TO SPECIFICATION IEC61076-4-104
3. MATERIALS:
 MODULE HOUSING: LIQUID CRISTAL POLYMER
 TOP COVER, CABLE TIE: POLYAMIDE
 SIGNAL CONTACT: PHOSPHOR BRONZE
 BOTTOM COVER SUBASSY :
 BOTTOM COVER : POLYAMIDE
 LATCH : LIQUID CRYSTAL POLYMER
4. PLATING OF SIGNAL CONTACTS:
 2.0 µm min. GOLD OVER 1.25 µm min. NICKEL IN CONTACT AREA.
 1.0 µm min. TIN OVER 1.25 µm min. NICKEL IN TERMINATION AREA.
5. PACKAGING PER COMPONENT: BULK OF 100 PIECES.
 CONNECTOR KITS ARE SUPPLIED IN QUANTITY OF 500 PIECES PER SHIPPING BOX.
6. 6.0 MM. MAX. OUTER CABLE DIAMETER.

OBSOLETE	AWG 26-24	4	1-338914-1
	AWG 30-26		338914+
	WIRE SIZE		PART NUMBER

QTY	DESCRIPTION	ITEM NO.
1	BOTTOM COVER SUBASSY	6
1	MODULE C1/C2	5
1	MODULE B1/B2	4
1	MODULE A1/A2	3
1	TOP COVER	2
1	CABLE TIE	1

THIS DRAWING IS A CONTROLLED DOCUMENT FOR TYCO ELECTRONICS CORPORATION. IT IS SUBJECT TO CHANGE AND THE CONTROLLING ENGINEERING ORGANIZATION SHOULD BE CONTACTED FOR THE LATEST REVISION.		DWN V. KOUTSOUMPEA CHK B. MOOLJ	01SEP99 20NOV00	Tyco Electronics Corporation 's-Hertogenbosch, Nederland	
DIMENSIONS: mm	TOLERANCES UNLESS OTHERWISE SPECIFIED: 0 PLC ± 1 PLC ± 2 PLC ± 3 PLC ± 4 PLC ± ANGLES ± FINISH	APVD -	NAME Z-PACK 2mm FB+ UNSHIELDED CABLE CONNECTOR 24 POS. KIT	SIZE A2	CAGE CODE 00779
MATERIAL		PRODUCT SPEC 108-19196	DRAWING NO. 114-19047	RESTRICTED TO -	
		APPLIC. SPEC 114-19047	SCALE 2:1	SHEET 1	REV FI
		WEIGHT -	CUSTOMER DRAWING	OF 1	