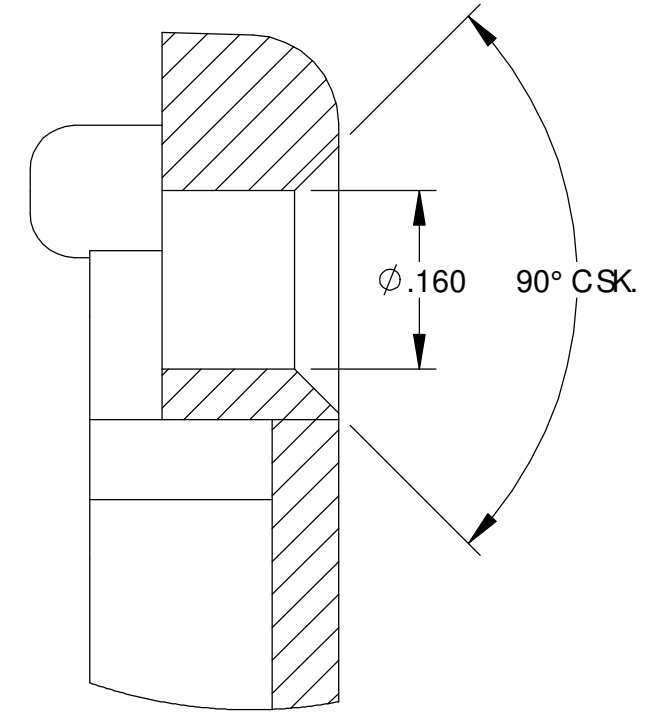
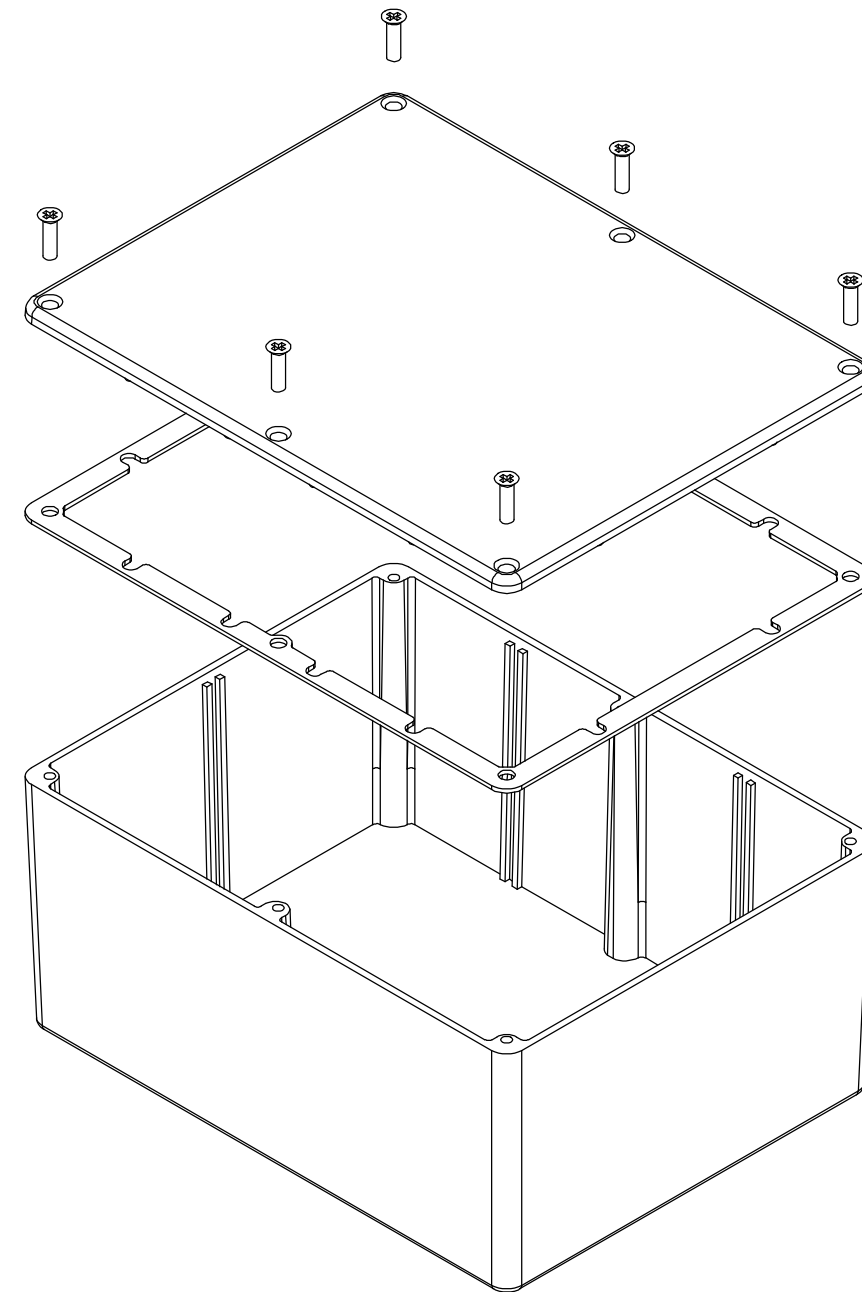


THE INFORMATION CONTAINED IN THIS DRAWING IS THE SOLE PROPERTY OF BUD INDUSTRIES INC. ANY REPRODUCTION IN PART OR WHOLE WITHOUT THE WRITTEN PERMISSION OF BUD INDUSTRIES INC. IS PROHIBITED.

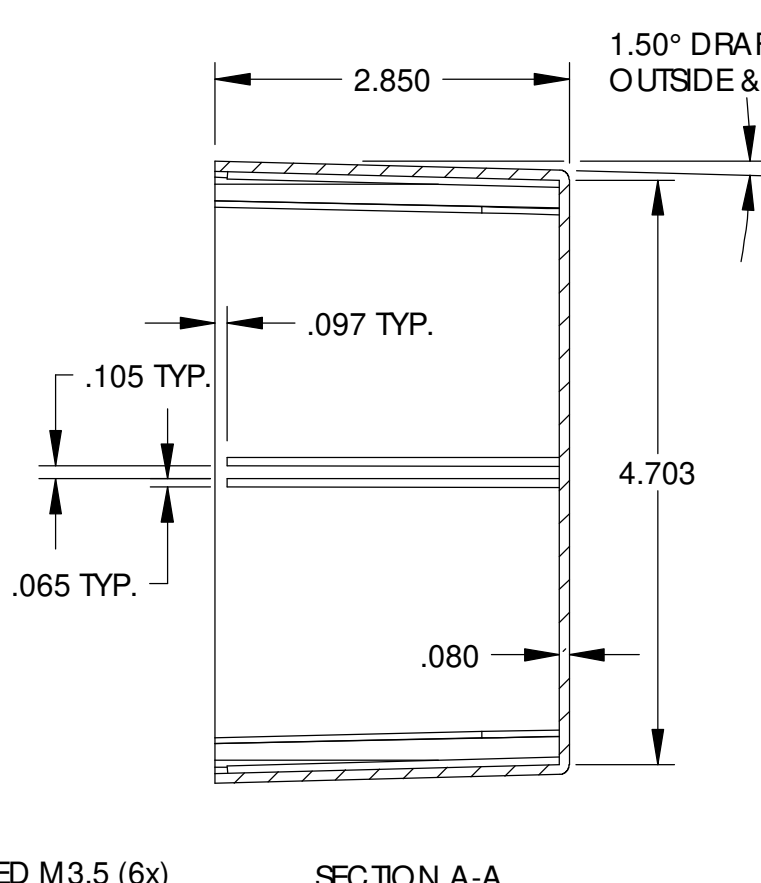
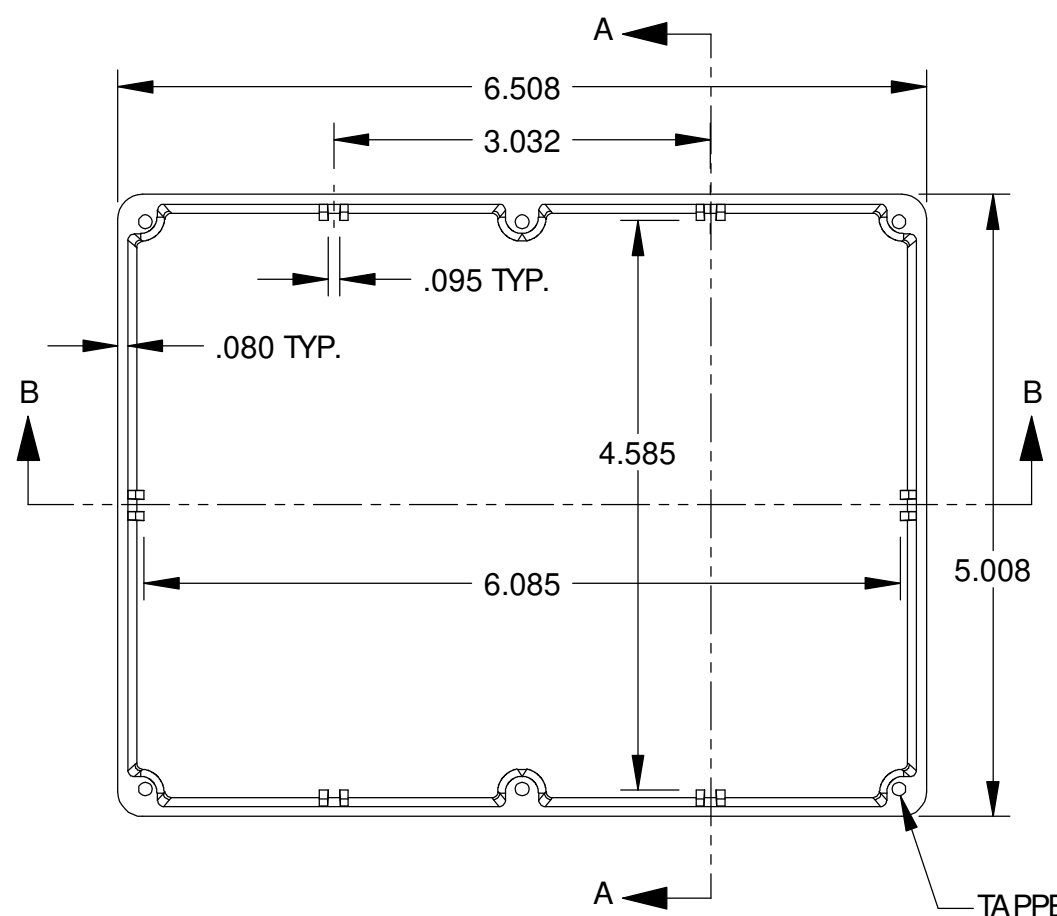
DWG. NO. CN-5708  
 ISSUE REVISIONS

MATERIAL - ALUMINUM ALLOY #ADC-12  
 FINISH - NATURAL (CONTACT BUD FACTORY FOR ALTERNATE FINISHES)  
 GASKET - RATED IP65 NEOPRENE, SELF-ADHESIVE, 3mm THICK, COLOR BLACK  
 SCREWS - STAINLESS STEEL, M3.5 x 12mm LG., CSK HEAD, SELF-THREADING

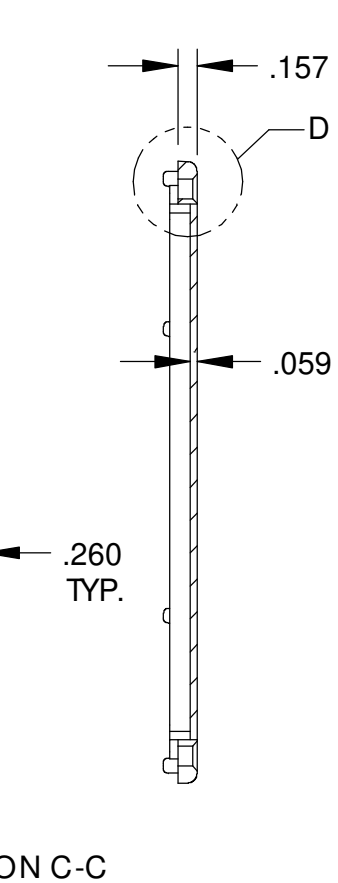
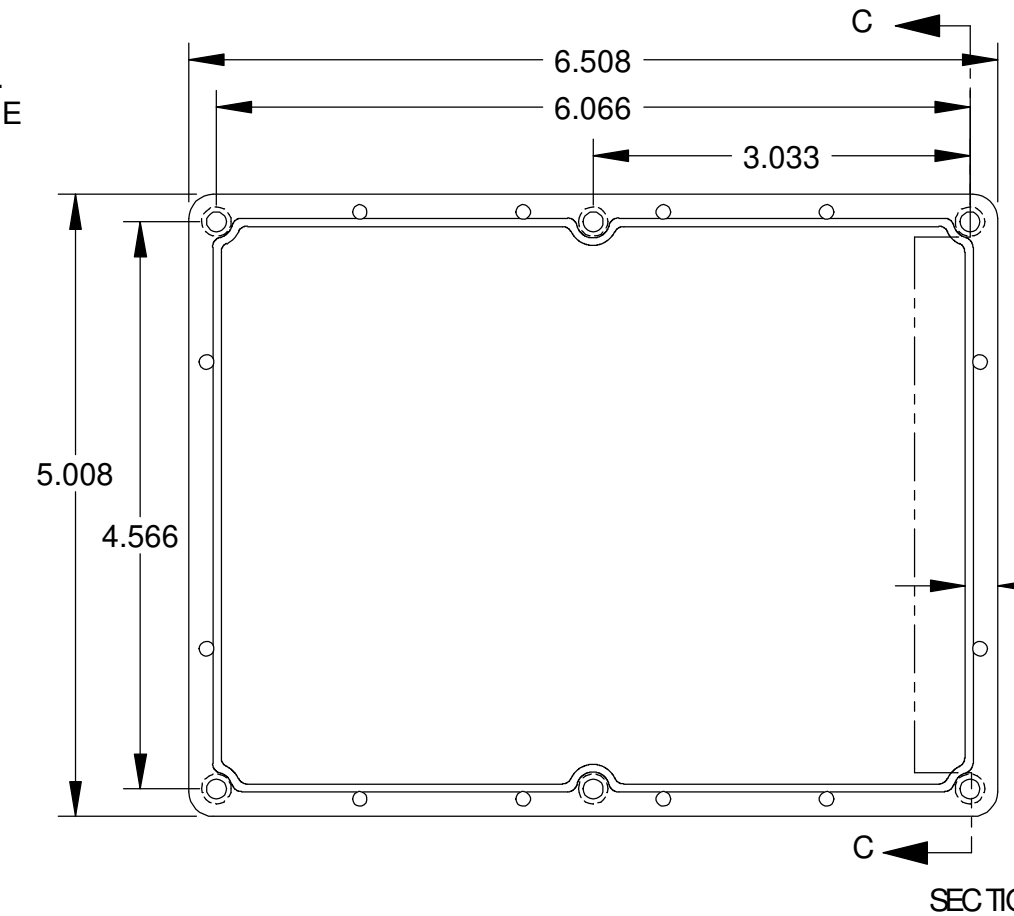
ALL HOLE DIAMETERS HAVE ±.005 TOLERANCE  
 ALL OTHER DIMENSIONS HAVE ±.015 TOLERANCE  
 ENCLOSURES ARE SHIPPED UNASSEMBLED WITH ALL ITEMS SHOWN.



DETAIL D  
 SCALE 6 : 1

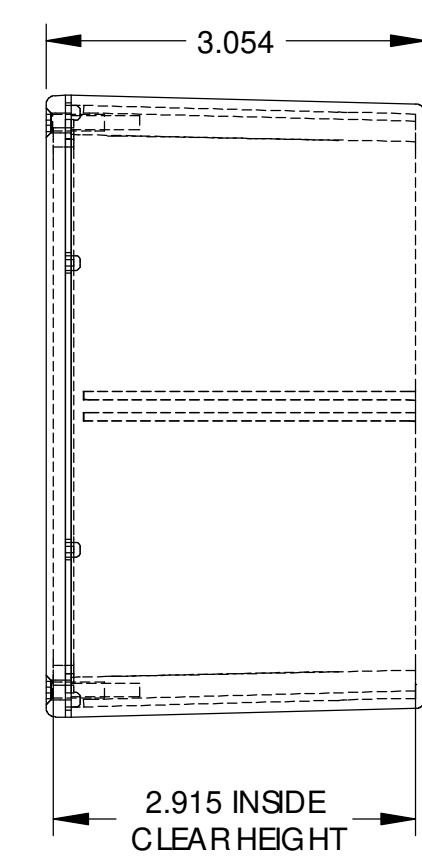


BODY

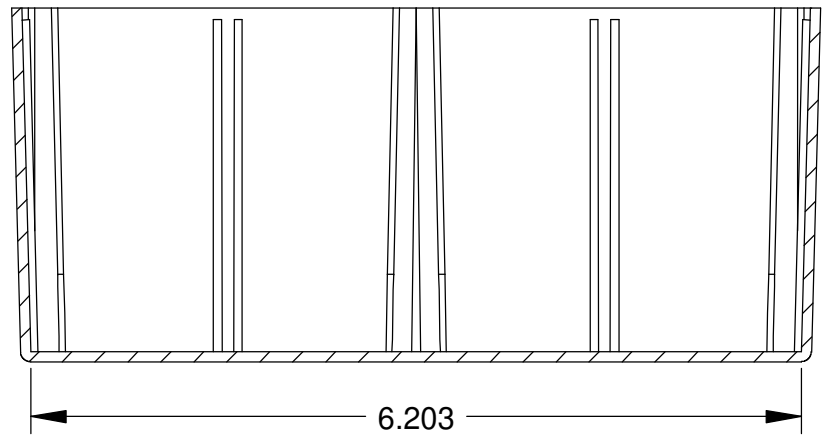


SECTION C-C

COVER



2.915 INSIDE CLEAR HEIGHT



SECTION B-B

PARTS LIST			
+/- .005 BETWEEN HOLE CENTERS		CAD GENERATED DRAWING, DO NOT MANUALLY UPDATE	
+/- .015 FROM SHEARED EDGE		BUD INDUSTRIES INC.	
+/- .032 FROM A BENT SURFACE		DIE CAST ALUMINUM ENCLOSURE	
+/- .062 BETWEEN ASSEMBLED SURFACES		APPROVALS	DATE
UNLESS OTHERWISE SPECIFIED		DRAWN	3-31-06
MATERIAL		CHECKED	
AS NOTED		APPROVED	
AS NOTED			
QTY.	USED ON	DO NOT SCALE DRAWING	SCALE
			DWG. NO. CN-5708
			REV.
			CAD FILE
			SHEET 1 OF 1