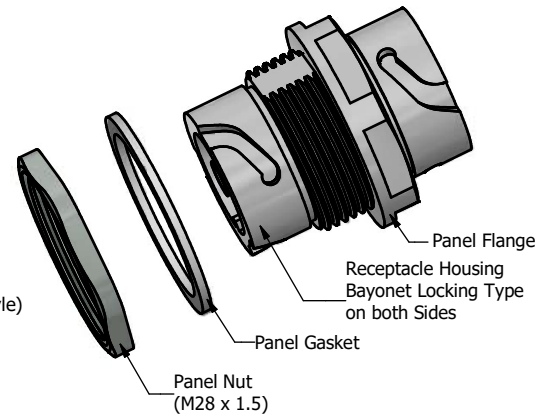


Protective Cover
(Plastic, Black
Bayonet Locking Style)

Tether

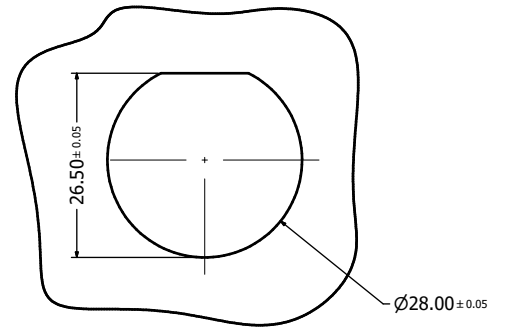


Panel Nut
(M28 x 1.5)

Panel Gasket

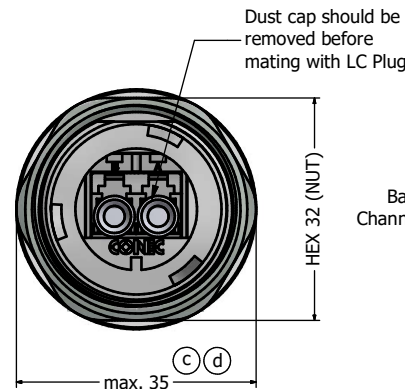
Receptacle Housing
Bayonet Locking Type
on both Sides

Panel Flange



Recommended Panel Cutout

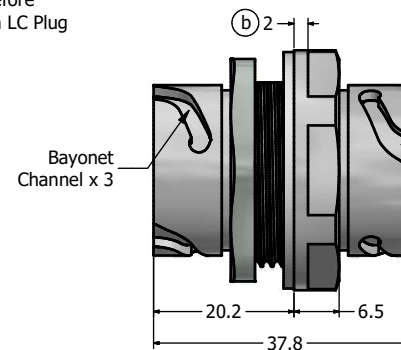
Fiber Optic Duplex LC
Adaptor Assembly
(Supplied with dust caps)
Dust cap should be removed
before mating with LC Plug



Dust cap should be
removed before
mating with LC Plug

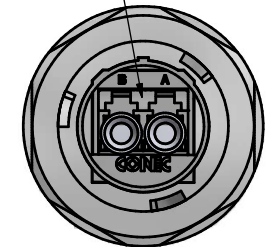
HEX 32 (NUT)

max. 35



Bayonet
Channel x 3

Bayonet
Channel x 3



Notes:

- Material and Finish:
 - Receptacle Housing and Cover: Polyester (Black), UL94 V-0 or ABS, Nickel Plated, UL94 V-0
 - Panel Nut: Brass, Finish: Nickel Plated
 - Panel and Cover Gasket: Silicone, Color: White
 - Tether: Polycarbonate, Color: Black
- Connector can be mounted to a maximum panel thickness of 3.2mm.
- IP67 rated when covered or fully mated with the appropriate mating connector
- Recommended Mounting Panel Nut torque is 20 to 25 lb-inch

Description	Plastic Version	Metallized Version
Single Mode (SM)	17-300820	17-300940
Multi Mode (MM)	17-300830	17-300950
APC Single Mode (APC SM)	17-300840	17-300960

THIS DRAWING MAY NOT BE COPIED OR REPRODUCED IN ANY MANNER WITHOUT THE WRITTEN PERMISSION OF CONEC CORPORATION OWNERSHIP AND COPYRIGHT © CONEC CORPORATION	Customer:			Tolerance Unless otherwise specified 0 PLC ±0.50 1 PLC ±0.38 2 PLC ±0.25 3 PLC ±0.10 ANGLES ±3°			Scale:	Dim. in mm
	Name	Title	Approval Date	2012	Date		Name	Material: See Notes Title: IP67 Industrial Duplex LC Receptacle + Cover Assembly Kit Plastic Version with bayonet on both sides
				Draw.	Sept. 28	Vincent Ke		
				Appd.	Sept. 28	J. Chaudry		
1 x d A21-0426 03.11.2021 Bub Norm c 3 x c Sep/25/2013 Vincent Ke D-old b 3 x b Jan/18/2013 Vincent Ke a original Rev Changes Date Name					Drawing No.: 17K1A335		DIN A3	
Part No.: SEE PART NUMBER TABLE						Sheet 1/1		

RoHS compliant