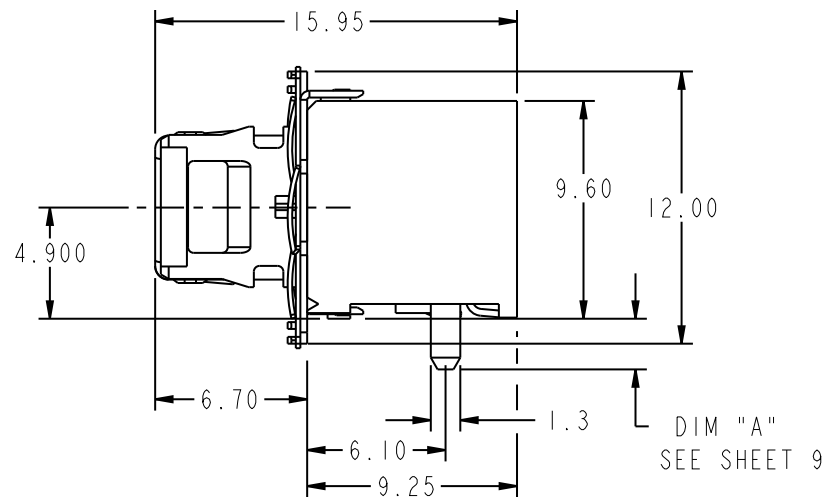
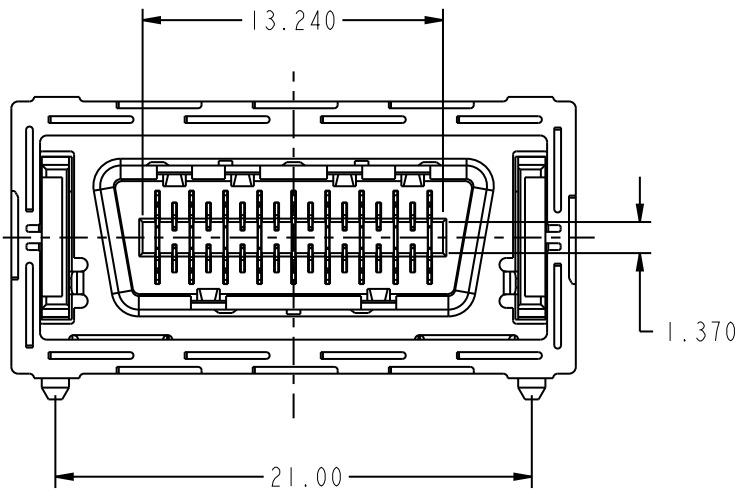
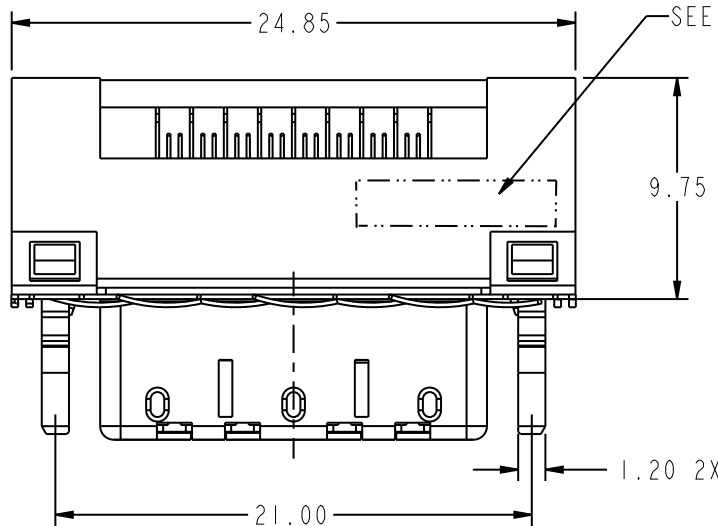


PRODUCT NUMBER
58368-11XXXX



Copyright FCI.

| rev | ecn no | dr | date |
|-----|----------|-----|------------|
| L | 109-0115 | RPK | 2010-04-06 |
| F | V03-0087 | GIP | 2003-13-14 |
| G | V04-0460 | DA1 | 2004-06-07 |
| H | V05-0063 | TAB | 2005-02-14 |
| J | 105-0258 | HVN | 2005-11-29 |
| K | 106-0123 | HVN | 2006-07-26 |

| | | | | | | | | |
|--------------------|------------|------------|---|-------------------------------------|-----------------------------|-----------------|-----------------|--------------|
| www.fciconnect.com | | | surface ASME Y14.5 | <input checked="" type="checkbox"/> | tolerance std ASME Y14.5 | - | projection ⊕ | MM |
| | | | TOLERANCES UNLESS OTHERWISE SPECIFIED | | | | | |
| Dr | R. DRAGGOO | 2002-01-07 | ANGULAR | LINEAR | 0.X | ±.30 | size A4 | Scale 1:1 |
| Eng | S. OLSON | 2001-09-11 | | | 0.XX | ±.10 | | |
| Chr | HIRAN V N | 2006-07-26 | | | 0.XXX | ±.050 | | |
| Appr | HIRAN V N | 2006-07-26 | Product family InfiniBand | | Spec ref | | | - |
| FCI | | | title 4X R.A. RECEPT. ASS'Y w/o MOUNTING TABS | | | dwg no 58368 | | Rev. L |
| | | | catalog no | | | CUSTOMER | | sheet 1 of 9 |

1

2

3

4

A

B

C

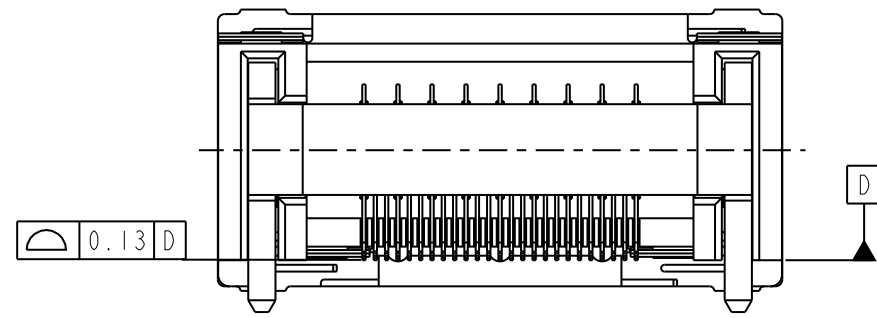
D

A

B

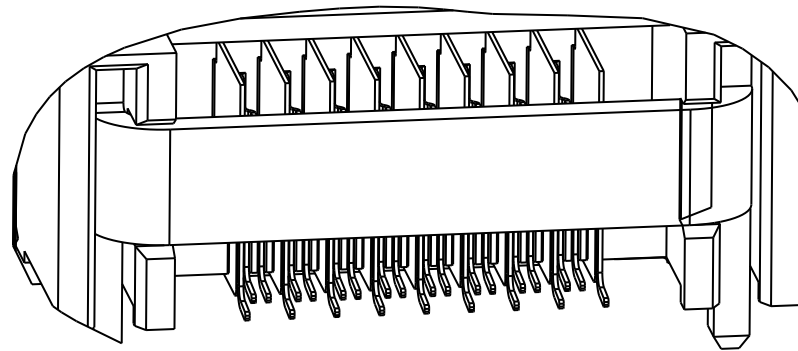
C

D



COPLANARITY MEASUREMENT TO BE TAKEN
AT BOTTOM MOST POINT OF CONTACT TAILS

COPLANARITY ZONE IS BELOW DATUM D



SCALE 4:1



Copyright FCI.

| | | | | | | |
|---------------------------------------|------------|------------|---|-------------------------------|-----------------|--------------|
| www.fciconnect.com | | | surface ASME Y14.5 ✓ | tolerance std ASME Y14.5 - | projection ⊕ | MM ↔ |
| TOLERANCES UNLESS OTHERWISE SPECIFIED | | | | | | |
| Dr | R. DRAGGOO | 2002-01-07 | ANGULAR | LINEAR | 0.X | ±.30 |
| Eng | S. OLSON | 2001-09-11 | | | 0.XX | ±.10 |
| Chr | HIRAN V N | 2006-07-26 | 0° | ±2° | 0.XXX | ±.050 |
| Appr | HIRAN V N | 2006-07-26 | Product family InfiniBand | | Spec ref | - |
| | | | title 4X R.A. RECEPT. ASS'Y w/o MOUNTING TABS | | dwg no 58368 | Rev. L |
| catalog no | | | | | CUSTOMER | sheet 2 of 9 |

REV F - 2006-04-17

2

3 PDM: Rev:L

STATUS Released

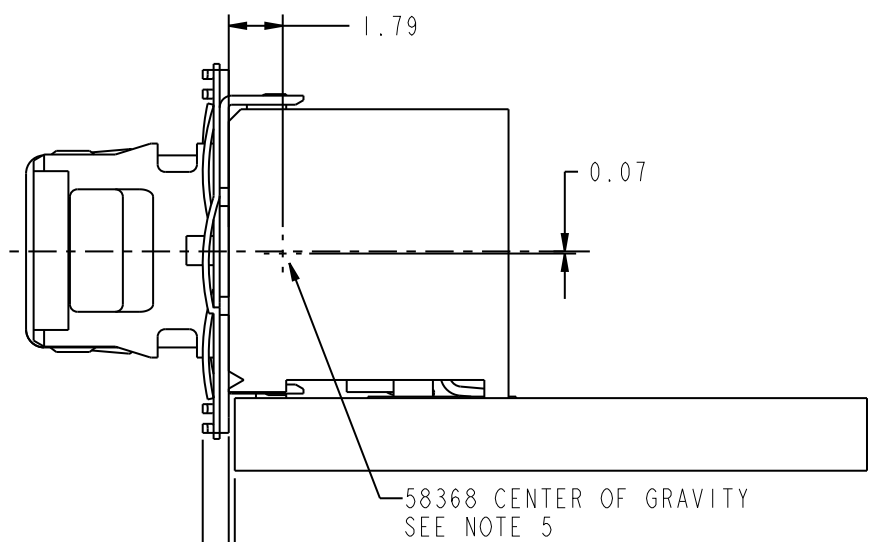
4 Printed: Apr 21, 2010



Copyright FCI.

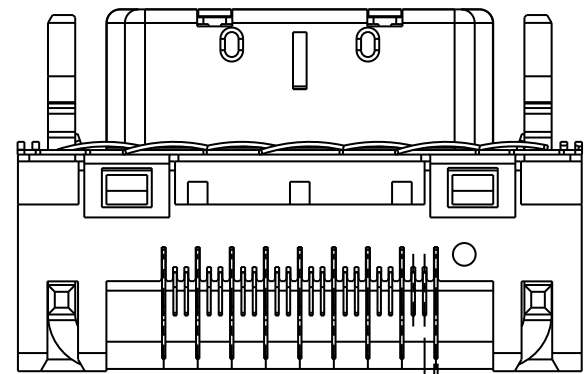
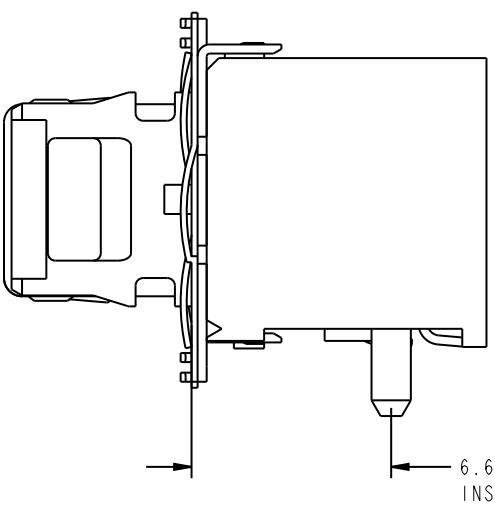
A
B
C
D

A
B
C
D

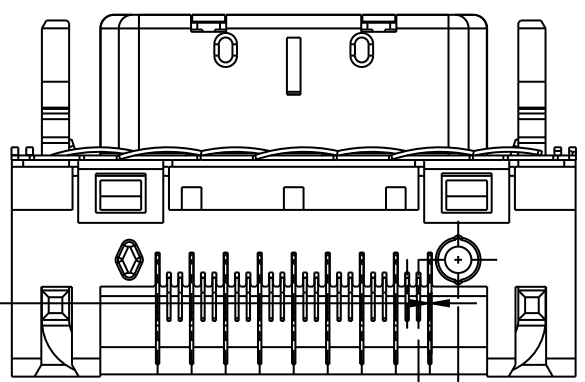


0.20 DISTANCE FROM PCB TO REAR OF "D" SHELL

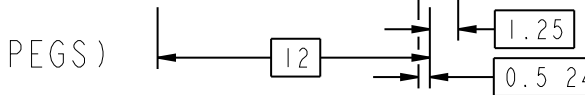
1.06 DISTANCE FROM PCB TO INSIDE OF BULKHEAD OR PCI BRACKET. (WITH GASKET IN COMPRESSED STATE).



58368-XXX0XX (PRODUCT WITHOUT PEGS)



58368-XXX1XX (PRODUCT WITH PEGS)

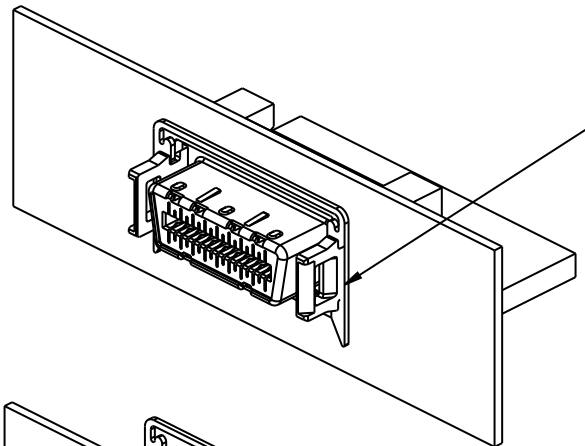


| | | | | | | | |
|--------------------|------------|------------|---|-----------------------------|--------------------------|------------|--------------|
| www.fciconnect.com | | | surface ASME Y14.5 | tolerance std ASME Y14.5 | projection ASME Y14.5 | MM | |
| | | | TOLERANCES UNLESS OTHERWISE SPECIFIED | | | | |
| Dr | R. DRAGGOO | 2002-01-07 | ANGULAR | 0.X | ±.30 | size A4 | |
| Eng | S. OLSON | 2001-09-11 | | LINEAR | 0.XX | | ±.10 |
| Chr | HIRAN V N | 2006-07-26 | 0° | ±2° | 0.XXX | ±.050 | ECN 109-0115 |
| Appr | HIRAN V N | 2006-07-26 | Product family InfiniBand | | Spec ref - | | |
| | | | title 4X R.A. RECEPT. ASS'Y w/o MOUNTING TABS | | dwg no 58368 | | |
| catalog no | | | CUSTOMER | | Rev. L | | |
| | | | sheet 3 of 9 | | | | |

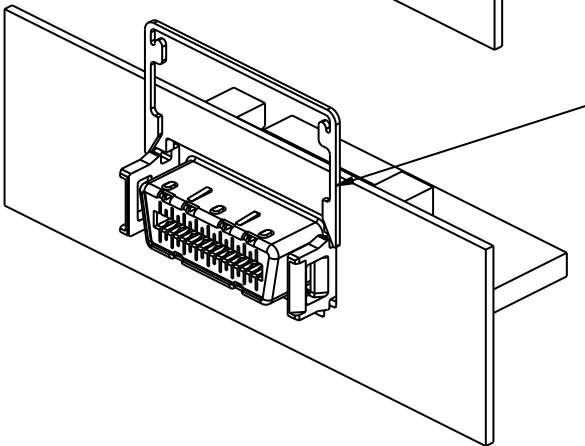
REV F - 2006-04-17



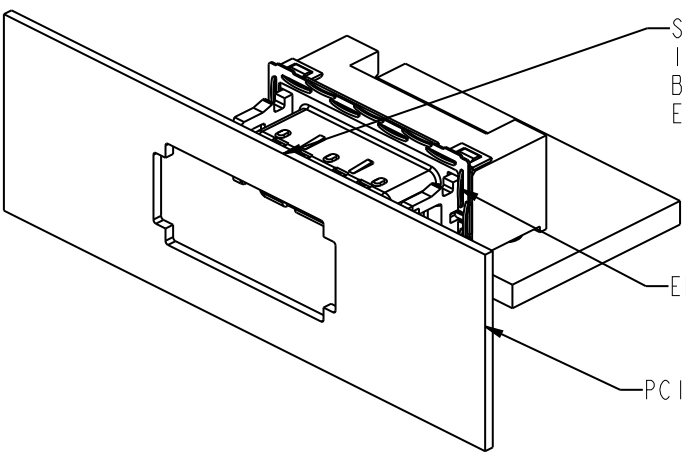
Copyright FCI.



STEP 3
SLIDE LOCK PLATE(58378) DOWN
OVER CONNECTOR LATCHES.



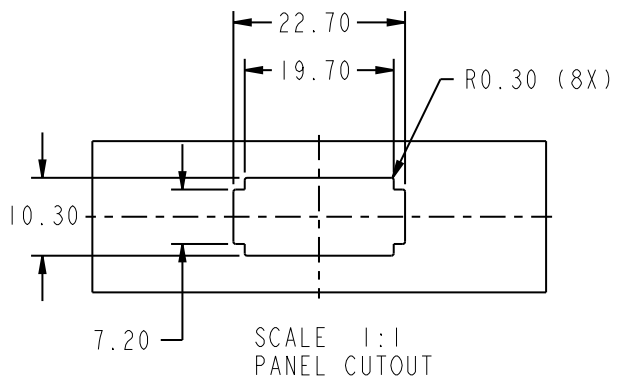
STEP 2
PLACE LOCK PLATE(58378) AGAINST
PCI BRACKET/PANEL SEE SHT. 9
FOR OPTIONS, PANEL THICKNESS.



STEP 1
INSERT CONNECTOR INTO PCI
BRACKET/PANEL COMPRESSING
EMI GASKET.

EMI GASKET

PCI BRACKET/PANEL



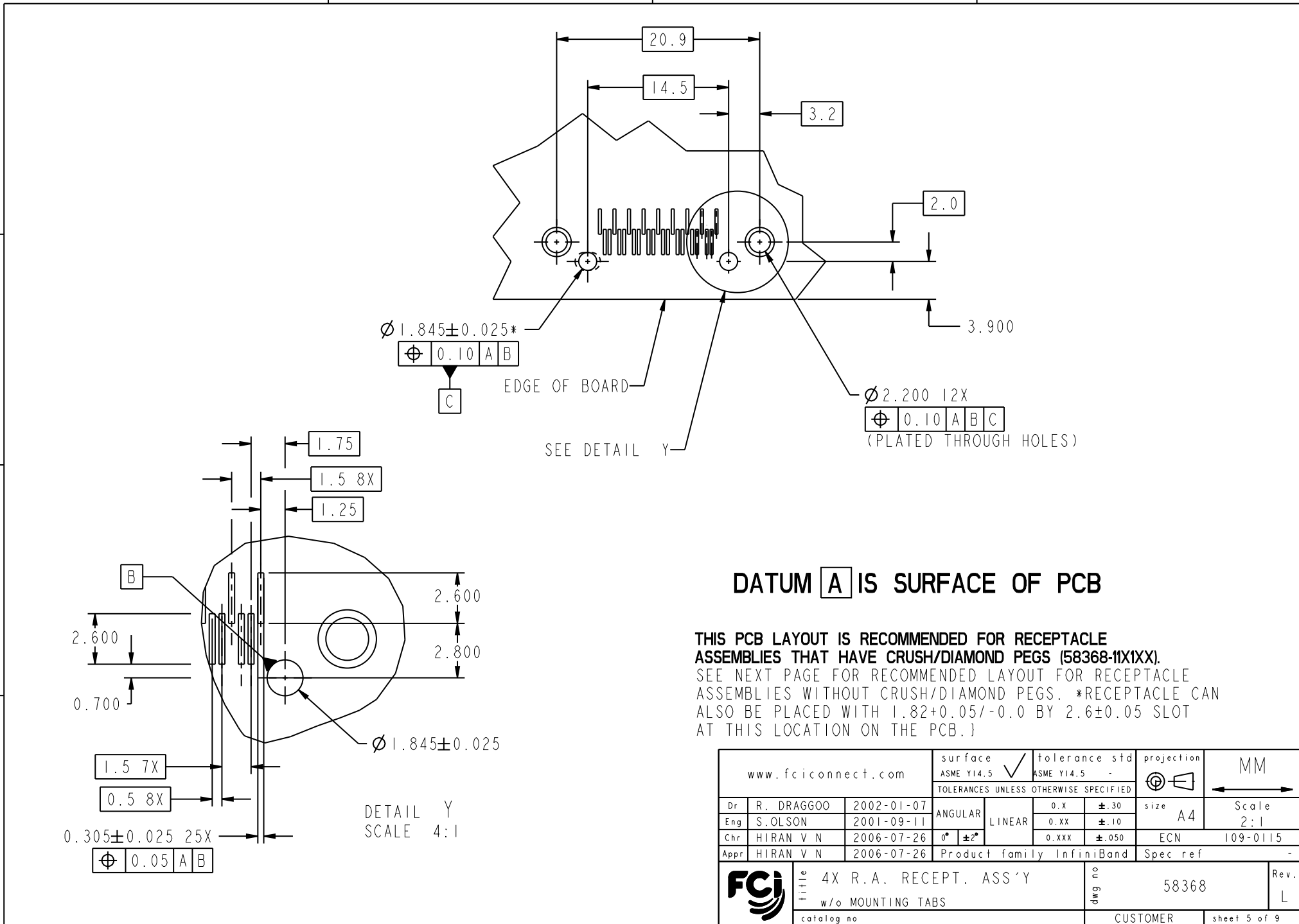
58378 RECEPTACLE LOCK PLATE APPLICATION

REV F - 2006-04-17

| | | | | | | | |
|--------------------|------------|------------|---|-------------------------------|-----------------|--------------|-------|
| www.fciconnect.com | | | surface ASME Y14.5 ✓ | tolerance std ASME Y14.5 - | projection ⊕ | MM ↔ | |
| | | | TOLERANCES UNLESS OTHERWISE SPECIFIED | | | | |
| Dr | R. DRAGGOO | 2002-01-07 | ANGULAR | 0.X | ±.30 | size A4 | |
| Eng | S. OLSON | 2001-09-11 | | LINEAR | 0.XX | | ±.10 |
| Chr | HIRAN V N | 2006-07-26 | | 0° ±2° | 0.XXX | | ±.050 |
| Appr | HIRAN V N | 2006-07-26 | Product family InfiniBand | | Spec ref | - | |
| FCI | | | title 4X R.A. RECEPT. ASS'Y w/o MOUNTING TABS | | dwg no 58368 | Rev. L | |
| | | | catalog no | | CUSTOMER | sheet 4 of 9 | |



Copyright FCI.



DATUM **A** IS SURFACE OF PCB

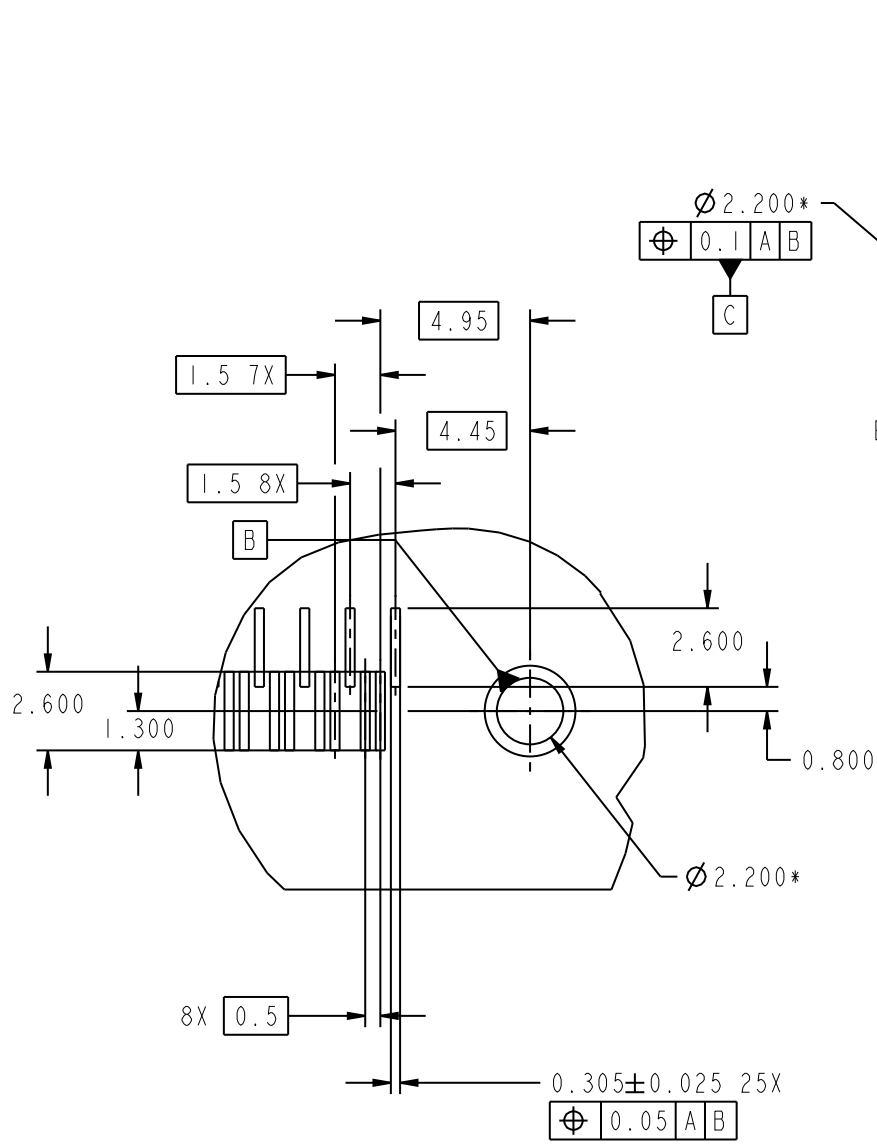
THIS PCB LAYOUT IS RECOMMENDED FOR RECEPTACLE ASSEMBLIES THAT HAVE CRUSH/DIAMOND PEGS (58368-11X1XX).
 SEE NEXT PAGE FOR RECOMMENDED LAYOUT FOR RECEPTACLE ASSEMBLIES WITHOUT CRUSH/DIAMOND PEGS. *RECEPTACLE CAN ALSO BE PLACED WITH 1.82±0.05/-0.0 BY 2.6±0.05 SLOT AT THIS LOCATION ON THE PCB.)

| | | | | | | | | |
|--------------------|------------|------------|---|-------------------------------------|-----------------------------|-----------------|------------|--------------|
| www.fciconnect.com | | | surface ASME Y14.5 | <input checked="" type="checkbox"/> | tolerance std ASME Y14.5 | - | projection | MM |
| | | | TOLERANCES UNLESS OTHERWISE SPECIFIED | | | | | |
| Dr | R. DRAGGOO | 2002-01-07 | ANGULAR | LINEAR | 0.X | ±.30 | size A4 | Scale 2:1 |
| Eng | S. OLSON | 2001-09-11 | | | 0.XX | ±.10 | | |
| Chr | HIRAN V N | 2006-07-26 | 0° | ±2° | 0.XXX | ±.050 | ECN | 109-0115 |
| Appr | HIRAN V N | 2006-07-26 | Product family InfiniBand | | Spec ref | | - | |
| | | | title 4X R.A. RECEPT. ASS'Y w/o MOUNTING TABS | | | dwg no 58368 | | Rev. L |
| | | | catalog no | | | CUSTOMER | | sheet 5 of 9 |

REV F - 2006-04-17



Copyright FCI.



DETAIL X
SCALE 4:1

DATUM **A** IS SURFACE OF PCB

THIS PCB LAYOUT IS RECOMMENDED FOR RECEPTACLE ASSEMBLIES THAT DO NOT HAVE CRUSH/DIAMOND PEGS (58368-11X0XX).
 SEE PREVIOUS PAGE FOR RECOMMENDED LAYOUT FOR RECEPTACLE ASSEMBLIES WITH CRUSH/DIAMOND PEGS.
 *PLATED THROUGH HOLES

| | | | | | | |
|--|------------|------------|-------------------------|-------------------------------|-----------------|--------------|
| www.fciconnect.com | | | surface ASME Y14.5 ✓ | tolerance std ASME Y14.5 - | projection ⊕ | MM ↔ |
| TOLERANCES UNLESS OTHERWISE SPECIFIED | | | ANGULAR | LINEAR | size A4 | Scale 1:1 |
| Dr | R. DRAGGOO | 2002-01-07 | 0.X | ±.30 | ECN | 109-0115 |
| Eng | S. OLSON | 2001-09-11 | 0.XX | ±.10 | Spec ref | - |
| Chr | HIRAN V N | 2006-07-26 | 0° | ±2° | Product family | InfiniBand |
| Appr | HIRAN V N | 2006-07-26 | Product family | | InfiniBand | Spec ref |
| FCI title 4X R.A. RECEPT. ASS'Y w/o MOUNTING TABS | | | dwg no 58368 | | Rev. L | |
| catalog no | | | CUSTOMER | | sheet 6 of 9 | |

1

2

3

4

A

B

C

D

A

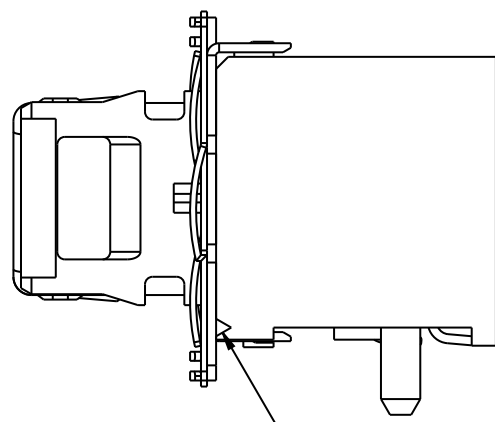
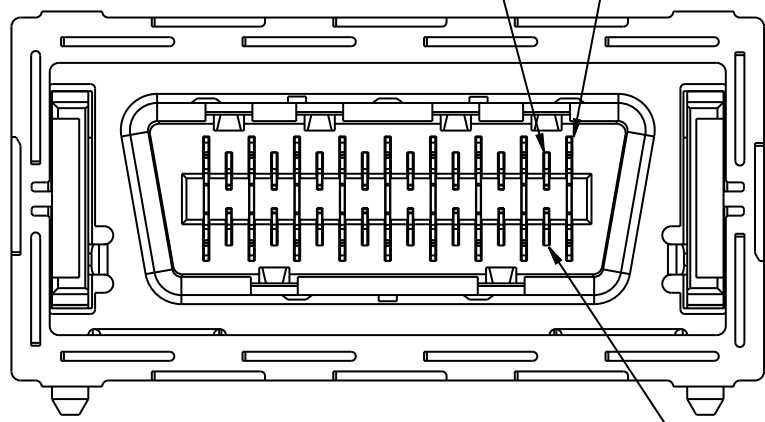
B

C

D

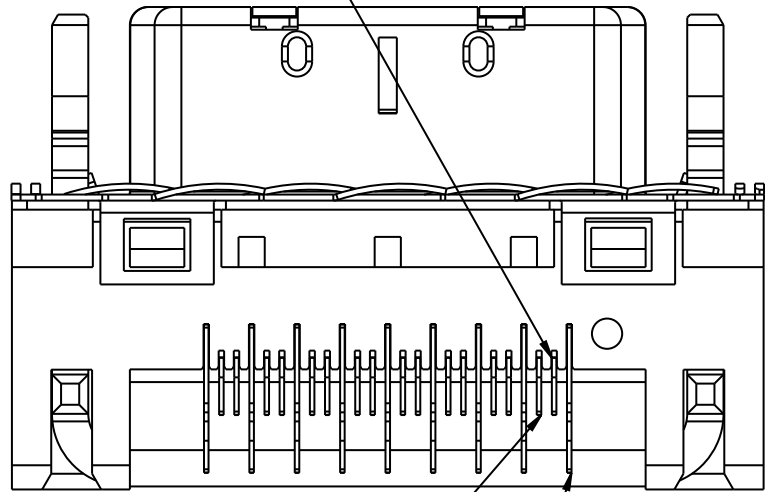
SIGNAL POSITION 2

GROUND POSITION 1



SIGNAL POSITION 1

SIGNAL POSITION 1



SIGNAL POSITION 2

GROUND POSITION 1

POSITION 1 INDICATOR (TRIANGLE)



Copyright FCI.

REV F - 2006-04-17

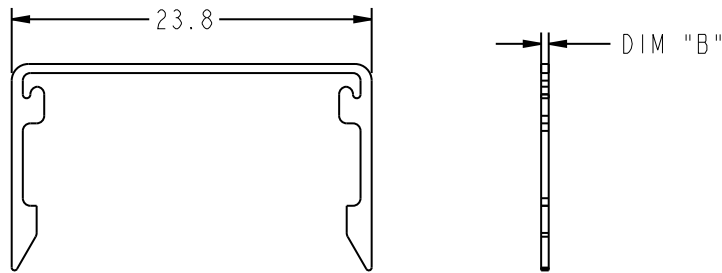
| | | | | | | | | |
|--------------------|------------|------------|---|-------------------------------------|-----------------------------|-----------------|-----------------|--------------|
| www.fciconnect.com | | | surface ASME Y14.5 | <input checked="" type="checkbox"/> | tolerance std ASME Y14.5 | - | projection ⊕ | MM ↔ |
| | | | TOLERANCES UNLESS OTHERWISE SPECIFIED | | | | | |
| Dr | R. DRAGGOO | 2002-01-07 | ANGULAR | LINEAR | 0.X | ±.30 | size A4 | Scale 1:1 |
| Eng | S. OLSON | 2001-09-11 | | | 0.XX | ±.10 | | |
| Chr | HIRAN V N | 2006-07-26 | 0° | ±2° | 0.XXX | ±.050 | ECN | 109-0115 |
| Appr | HIRAN V N | 2006-07-26 | Product family InfiniBand | | Spec ref | | - | |
| | | | title 4X R.A. RECEPT. ASS'Y w/o MOUNTING TABS | | | dwg no 58368 | | Rev. L |
| catalog no | | | CUSTOMER | | | sheet 7 of 9 | | |

3 PDM: Rev:L

STATUS Released

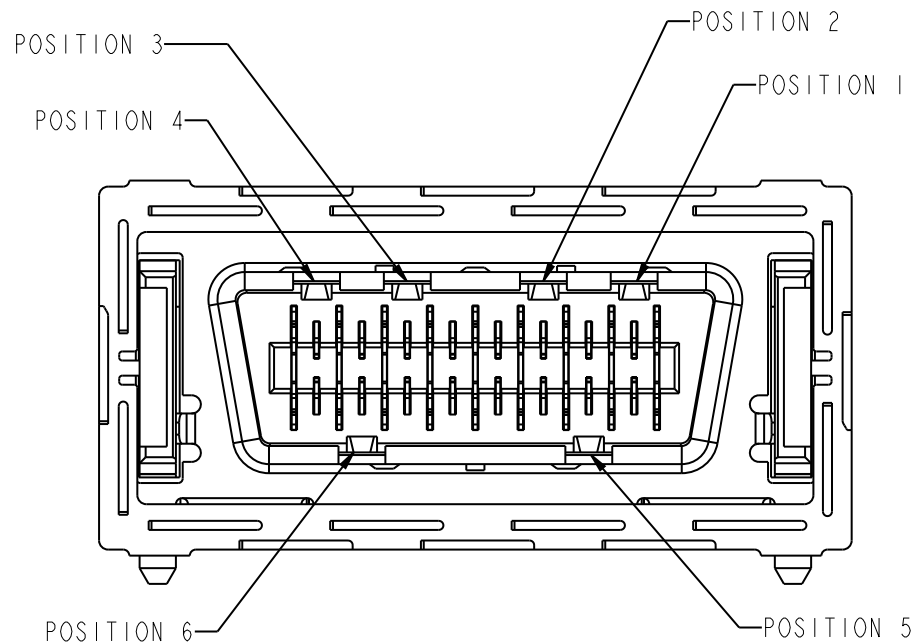
4 Printed: Apr 21, 2010

| LOCK PLATE PART NUMBER | DIM "B" | SIZE | USED WITH | | QTY PER BAG |
|---------------------------|---------|------|-----------|---|----------------|
| | | | ASSEMBLY | PANEL THICKNESS | |
| 58378-001 | 0.50 | 4X | 58368 | 1.00±0.03mm/0.040±.001" | 100 |
| 58378-011 | 0.30 | 4X | 58368 | 1.20±0.03mm/0.047±.001" | 100 |
| 58378-021 | 0.60 | 4X | 58368 | 0.91±0.03mm/0.0359±.001" (20 GAGE PCI BRACKET) | 100 |



THESE PANEL LOCK PLATES ARE TO BE ORDERED SEPARATELY

| KEYING POSITIONS | | | | | | |
|------------------|---------------|---------------|---------------|---------------|---------------|---------------|
| PART NUMBER | POSITION 1 | POSITION 2 | POSITION 3 | POSITION 4 | POSITION 5 | POSITION 6 |
| 58368-11XXX2 | | X | | | | X |



| | | | | | | |
|---------------------------------------|------------|------------|---|-------------------------------|-----------------|--------------|
| www.fciconnect.com | | | surface ASME Y14.5 ✓ | tolerance std ASME Y14.5 - | projection ⊕ | MM ←→ |
| TOLERANCES UNLESS OTHERWISE SPECIFIED | | | ANGULAR | LINEAR | size A4 | Scale 1:1 |
| Dr | R. DRAGGOO | 2002-01-07 | 0° | ±2° | 0.X | ±.30 |
| Eng | S. OLSON | 2001-09-11 | 0° | ±2° | 0.XX | ±.10 |
| Chr | HIRAN V N | 2006-07-26 | 0° | ±2° | 0.XXX | ±.050 |
| Appr | HIRAN V N | 2006-07-26 | Product family InfiniBand | | Spec ref | - |
| | | | title 4X R.A. RECEPT. ASS'Y w/o MOUNTING TABS | | dwg no 58368 | Rev. L |
| catalog no | | | CUSTOMER | | sheet 8 of 9 | |

58368-XXXXXX

SOLDERTAIL PLATING
BLANK-TIN/LEAD
LF-LEAD FREE (SEE NOTE 2)

KEYING OPTIONS, SEE SHEET 8
0-NONE
2-CUSTOM

PACKAGING
1-TAPE & REEL
2-TRAY

PEGS
0-NONE
1-CRUSH/DIAMOND PEGS

PCB THICKNESS
1-1.6mm
2-2.4mm
3-4.0mm

EMI GASKET
0-WITHOUT GASKET
1-WITH GASKET

INTERFACE PLATING
1-Au over Ni

NOTES:)

- ① HOUSING MATERIAL: UL94 V-O LCP RESIN.
SIGNAL PIN MATERIAL: COPPER ALLOY.
GROUND CONTACT MATERIAL: COPPER ALLOY.
- ② PLATING: LEAD FREE SOLDER TAILS 2 μ m (80 μ in) MIN MATTE TIN
OVER 1.27 μ m (50 μ in) MIN NICKEL UNDERPLATE.
- ③ P/N AND DATE CODE TO APPEAR ON THIS SURFACE.
4. PRODUCT SPECIFICATION GS-12-209.
5. CONNECTOR WEIGHT = 6.38 grams
6. APPLICATION SPECIFICATION: GS-20-025
7. PACKAGING SPECIFICATION GS-14-794. PACKAGING OF LEAD FREE PRODUCTS MEETS LABELING AND PACKAGING SPECIFICATION GS-14-920.
8. ALL DIMENSIONS ON PCB'S ARE BASIC UNLESS OTHERWISE SPECIFIED.
9. ALL HOLE DIAMETERS ON PCB'S ARE FINISHED HOLE SIZE
- ⑩ AREA ON TOP OF CONNECTOR IS FLAT & SMOOTH AND CAN BE USED FOR VACUUM PICK & PLACE.
11. MATES WITH EYEMAX[®] PLUG 58443 (WITHOUT PCB), 58638 (WITH UNEQUALIZED PCB) OR 10026692 (WITH EQUALIZED PCB).
12. LEAD FREE PRODUCTS MEET EUROPEAN UNION DIRECTIVES AND OTHER COUNTRY REGULATIONS AS DESCRIBED IN GS-22-008.
13. THE HOUSING WILL WITHSTAND EXPOSURE TO 260°C PEAK TEMPERATURE FOR 15 SECONDS IN A CONVECTION, INFRARED OR VAPOR PHASE REFLOW OVEN.

| PRODUCT NUMBER | BOARD THICKNESS | DIM A |
|----------------|-----------------|-------|
| 58368-111XXX | 1.6mm | 2.3 |
| 58368-112XXX | 2.4mm | 3.1 |
| 58368-113XXX | 4.0mm | 4.7 |

| | | | | | | | | |
|--------------------|------------|------------|---|-------------------------------|----------------|-----------------|--------------|--------------|
| www.fciconnect.com | | | surface ASME Y14.5 <input checked="" type="checkbox"/> | tolerance std ASME Y14.5 - | projection | MM | | |
| | | | TOLERANCES UNLESS OTHERWISE SPECIFIED | | | | | |
| Dr | R. DRAGGOO | 2002-01-07 | ANGULAR | LINEAR | 0.X | ±.30 | size A4 | Scale 1:1 |
| Eng | S. OLSON | 2001-09-11 | | | 0.XX | ±.10 | | |
| Chr | HIRAN V N | 2006-07-26 | | | 0° | ±2° | | |
| Appr | HIRAN V N | 2006-07-26 | Product family InfiniBand | | Spec ref - | | | |
| | | | 4X R.A. RECEPT. ASS'Y w/o MOUNTING TABS | | | dwg no 58368 | Rev. L | |
| | | | catalog no | | CUSTOMER | | sheet 9 of 9 | |



Copyright FCI.