



Micro Commercial Components

Micro Commercial Components  
 20736 Marilla Street Chatsworth  
 CA 91311  
 Phone: (818) 701-4933  
 Fax: (818) 701-4939

# MC7912CT

## Features

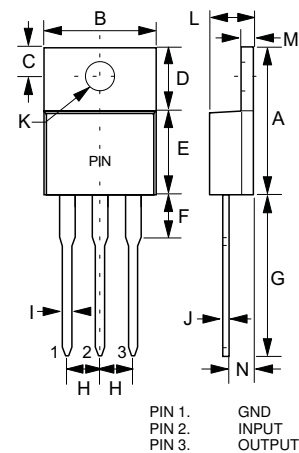
- Output current in excess of 1.0 Ampere
- No external components required
- Internal thermal overload protection
- Internal short-circuit current limiting
- Output voltage offered in 2% tolerance
- Case Material: Molded Plastic. UL Flammability Classification Rating 94V-0

## Three-Terminal Negative Voltage Regulators

### Maximum Ratings @ T<sub>A</sub>=25°C, Unless Otherwise Noted

Parameter	Symbol	Value	Unit
Input Voltage	V <sub>I</sub>	-35	V
Operating Ambient Temperature	P <sub>D</sub>	15	W
Operating Junction Temperature	T <sub>OPR</sub>	0---+150	°C
Storage Temperature Range	T <sub>STG</sub>	-55---+150	°C

### TO-220



#### DIMENSIONS

DIM	INCHES		MM		NOTE
	MIN	MAX	MIN	MAX	
A	.560	.625	14.22	15.88	
B	.380	.420	9.65	10.67	
C	.100	.135	2.54	3.43	
D	.230	.270	5.84	6.86	
E	.380	.420	9.65	10.67	
F	-----	.250	-----	6.35	
G	.500	.580	12.70	14.73	
H	.090	.110	2.29	2.79	
I	.020	.045	0.51	1.14	
J	.012	.025	0.30	0.64	
K	.139	.161	3.53	4.09	∅
L	.140	.190	3.56	4.83	
M	.045	.055	1.14	1.40	
N	.080	.115	2.03	2.92	

# MC7912CT

## Electrical Characteristics ( $V_i=19V$ , $I_o=500mA$ , $0^\circ C < T_j < 125^\circ C$ , $C_i=2.0\mu F$ , $C_o=1.0\mu F$ , Unless Otherwise Specified)

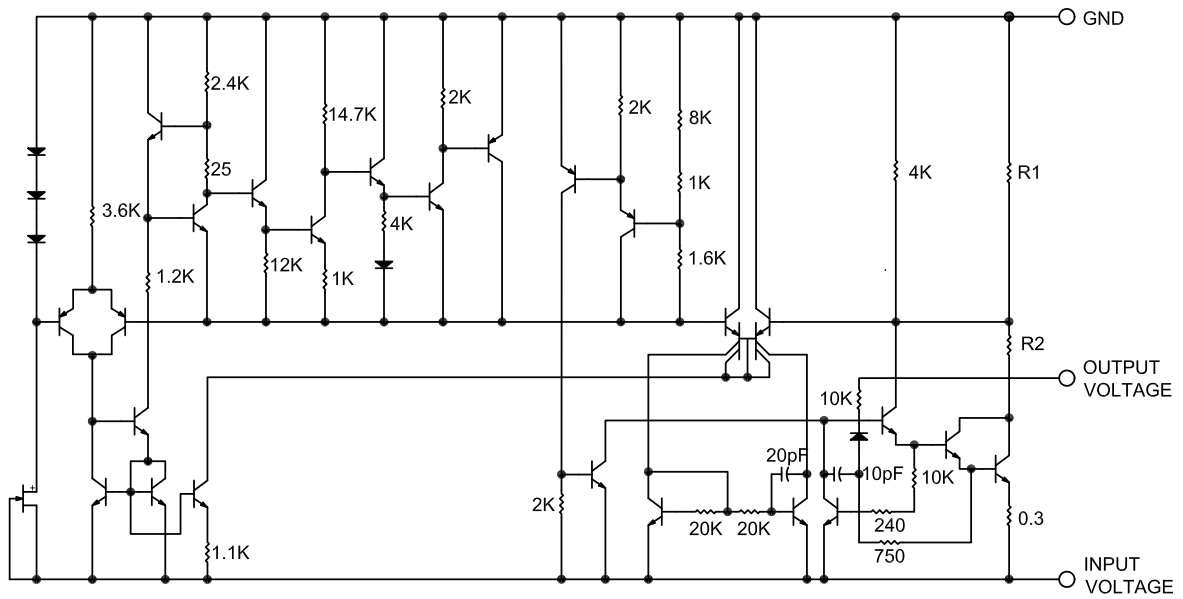
Parameter	Sym	Min	Typ	Max	Test conditions
Output Voltage	$V_o$	-11.76V	-12V	-12.24V	$T_j=25^\circ C$
		-11.66V		-12.34V	$-14.5V \leq V_i \leq -27V$ , $5mA \leq I_o \leq 1.0A$ , $P_D=15W$
Load Regulation	$\Delta V_o$		12mV	240mV	$5.0mA \leq I_o \leq 1.5A$ , $T_j=25^\circ C$ ,
			4.0mV	120mV	$250mA \leq I_o \leq 750mA$ , $T_j=25^\circ C$
Line regulation	$\Delta V_o$		10mV	240mV	$-14.5V \leq V_i \leq -30V$ , $T_j=25^\circ C$
			3.0mV	120mV	$-16V \leq V_i \leq -22V$ , $T_j=25^\circ C$
Quiescent Current	$I_q$		2.5mA	5.0mA	$T_j=25^\circ C$ , $I_o=0$
Quiescent Current Change	$\Delta I_q$			1.0mA 0.5mA	$-14.5V \leq V_i \leq -30V$ $5mA \leq I_o \leq 1.0A$
Output Noise Voltage	$V_N$		75 $\mu V$		$10Hz \leq f \leq 100KHz$ $T_j=25^\circ C$
Ripple Rejection	RR	55dB	70dB		$f=120Hz$
Dropout Voltage	$V_d$		1.1V		$I_o=1.0A$ , $T_j=25^\circ C$
Peak Output Current	$I_{opeak}$		2.1A		$T_j=25^\circ C$
Temperature Coefficient of Output voltage	$\Delta V_o/\Delta T_j$		-0.8mV/ $^\circ C$		$0^\circ C \leq T_j \leq 125^\circ C$ , $I_o=5mA$

# MC7912CT



Micro Commercial Components

## Representation Schematic Diagram





Micro Commercial Components

## Ordering Information

Device (Part Number)-BP	Packing Bulk;1Kpcs/Box
----------------------------	---------------------------

**\*\*\*IMPORTANT NOTICE\*\*\***

*Micro Commercial Components Corp.* reserves the right to make changes without further notice to any product herein to make corrections, modifications , enhancements , improvements , or other changes . *Micro Commercial Components Corp.* does not assume any liability arising out of the application or use of any product described herein; neither does it convey any license under its patent rights ,nor the rights of others . The user of products in such applications shall assume all risks of such use and will agree to hold *Micro Commercial Components Corp.* and all the companies whose products are represented on our website, harmless against all damages.

**\*\*\*APPLICATIONS DISCLAIMER\*\*\***

Products offer by *Micro Commercial Components Corp.* are not intended for use in Medical, Aerospace or Military Applications.