



### Electrical Specifications

**Center Frequency (Fo):** 48.26 MHz  
**3dB Bandwidth:** ±25 kHz from Fo  
**Insertion Loss:** 3 dB Max  
**Ripple:** 1 dB Max, 0.5 dB Typical  
**Rejection:** >60 dB @ 48.1 MHz  
               >60 dB @ 48.9 MHz  
**Input Power:** 0 dBm Max without distortion  
**Impedance:** 50 Ω

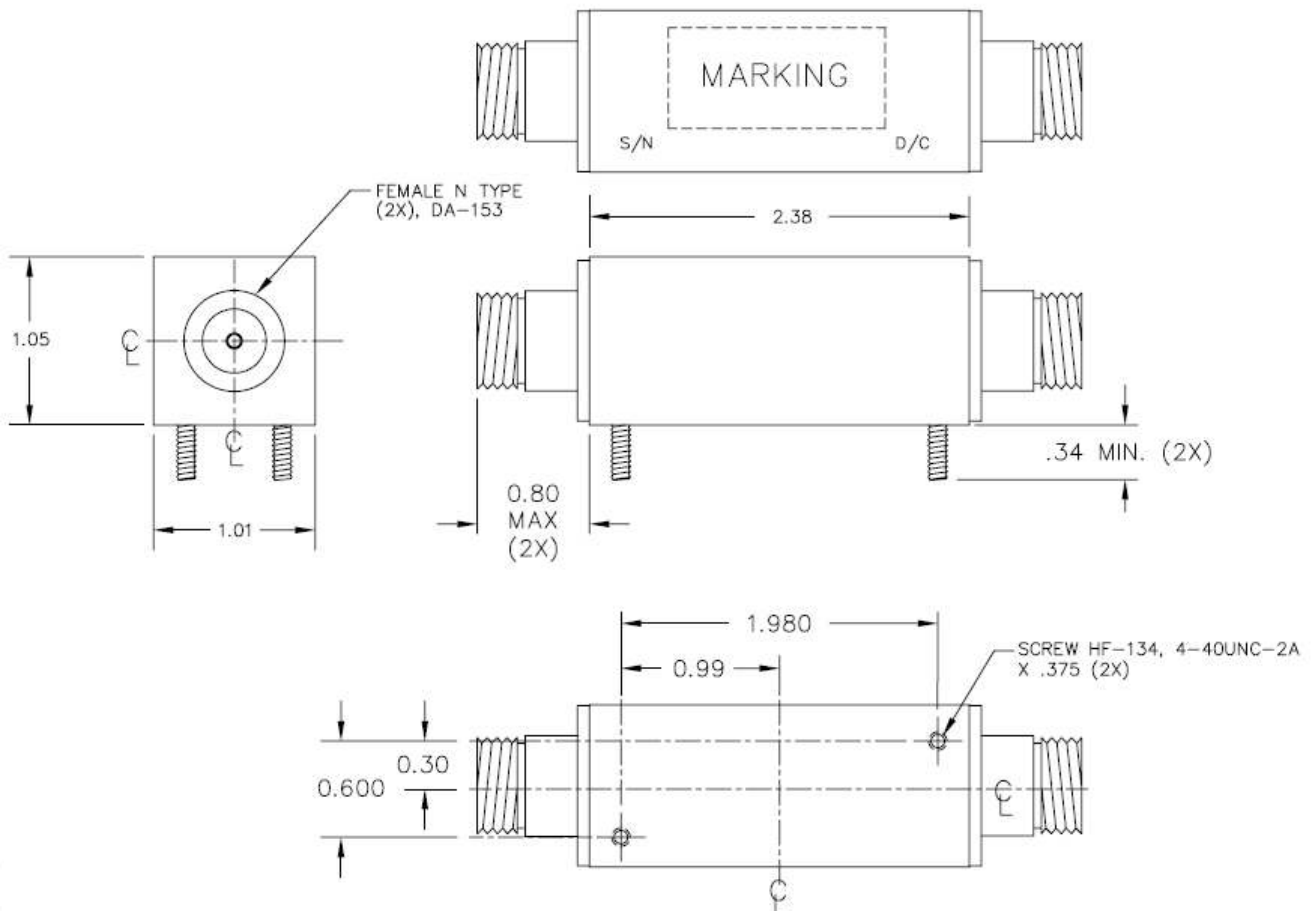
### Mechanical

**Connector Type:** N-Type (F)  
**Dimensions:** 2.38 x 1.05 x 1.01 Inches

### Environmental

**Operating Temperature:** -30 to +75° C  
**Storage Temperature:** -45 to +85° C

### Outline Drawing:



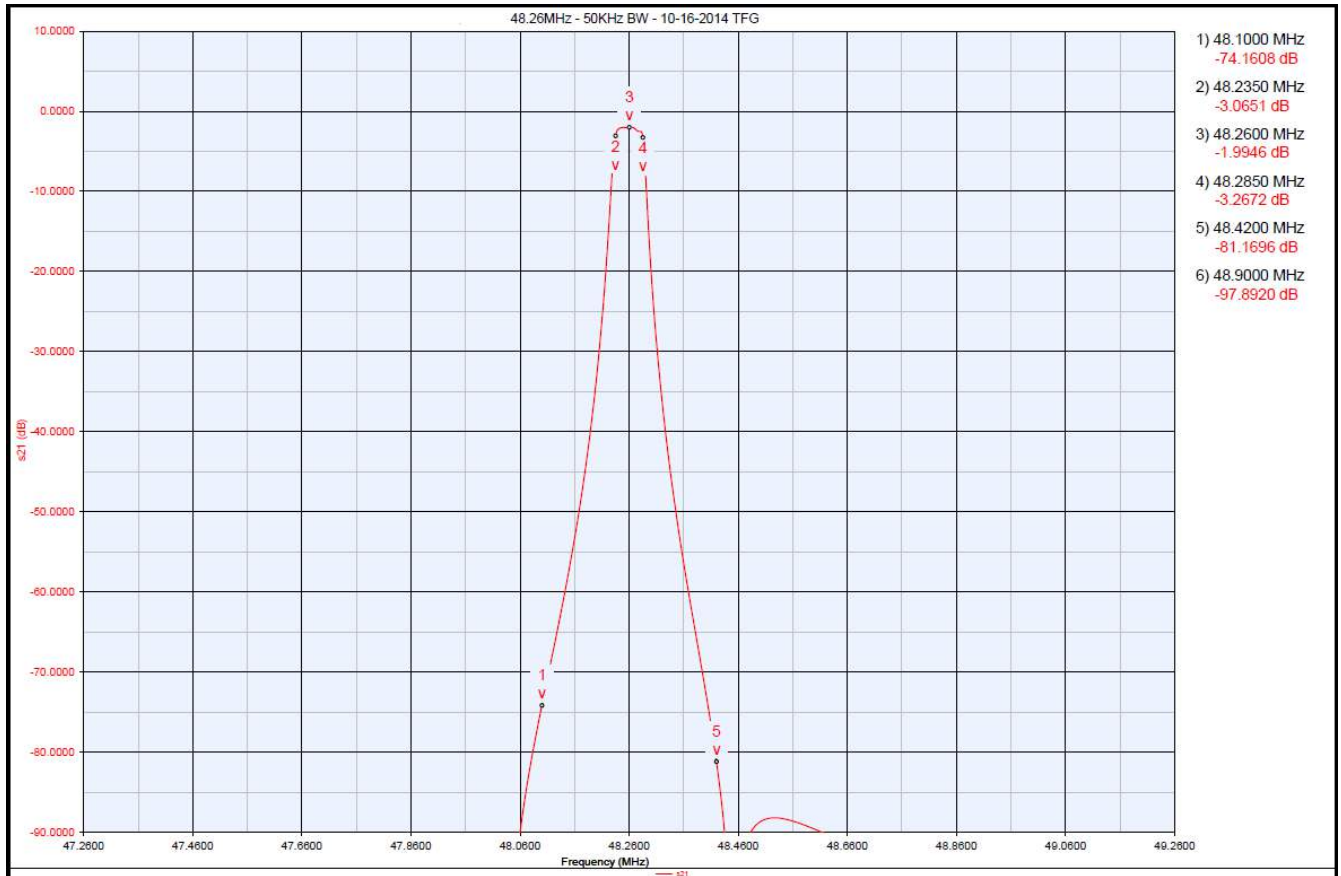


# 48.26 MHz Crystal Band Pass Filter

**Part Number: AM48CR356**



## Response Plot:





# 48.26 MHz Crystal Band Pass Filter

**Part Number: AM48CR356**



## Response Plot:

