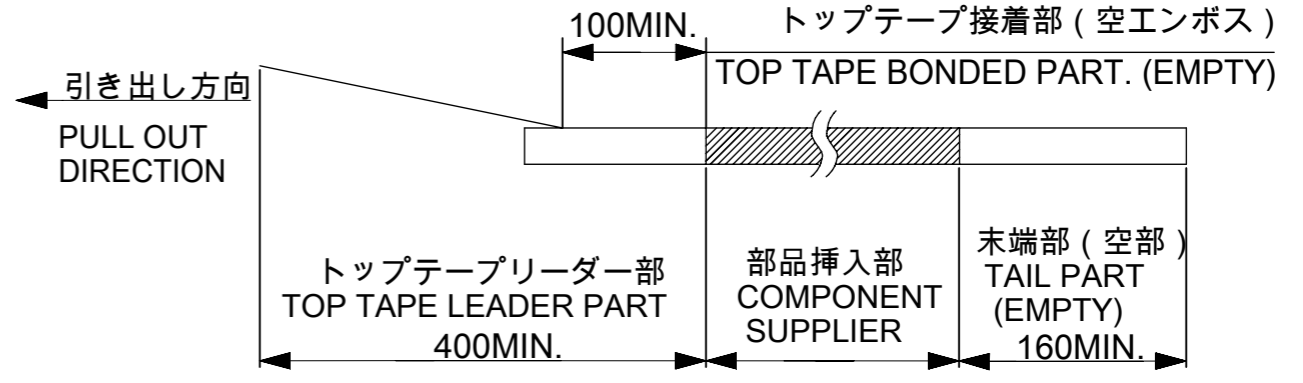
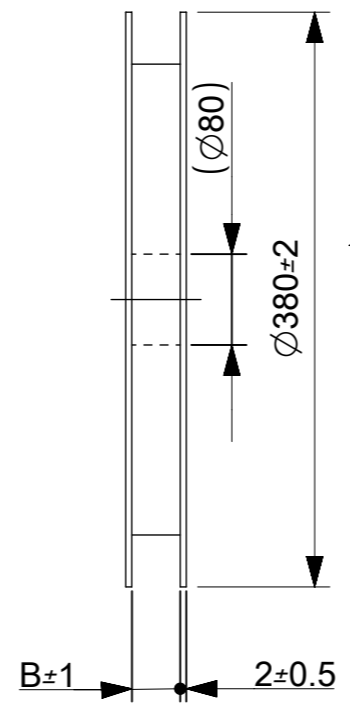
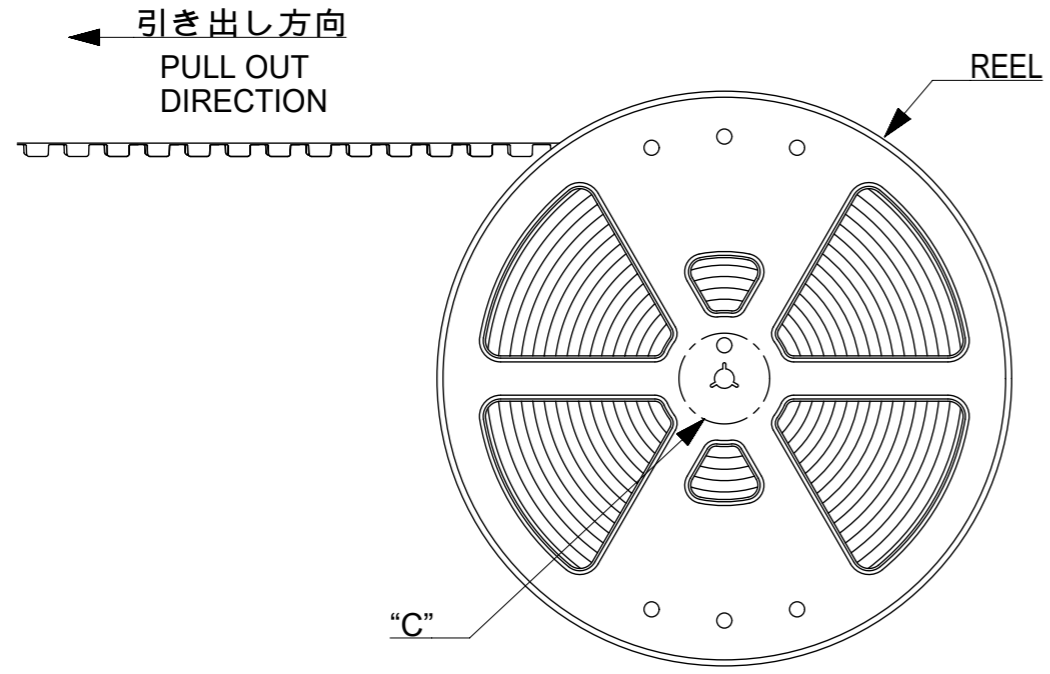
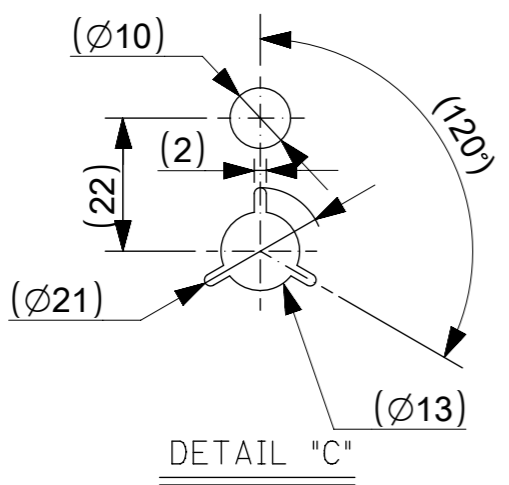


注記 NOTES

- 製品詳細寸法については図面5047541004を参照下さい。  
REFER TO THE 5047541004 ABOUT DIMENSIONS IN DETAIL.
- 梱包数量 : 5000個 / リール  
NUMBER OF CONNECTORS : 5000 PCS/REEL
- リードテープ長さ LEAD TAPE LENGTH

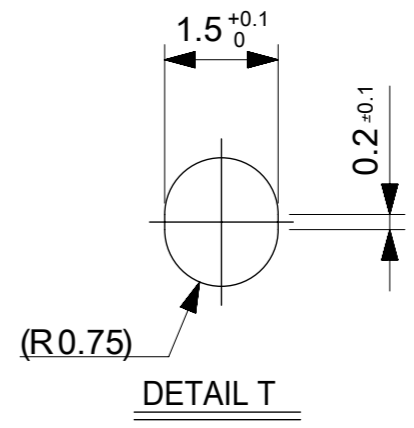
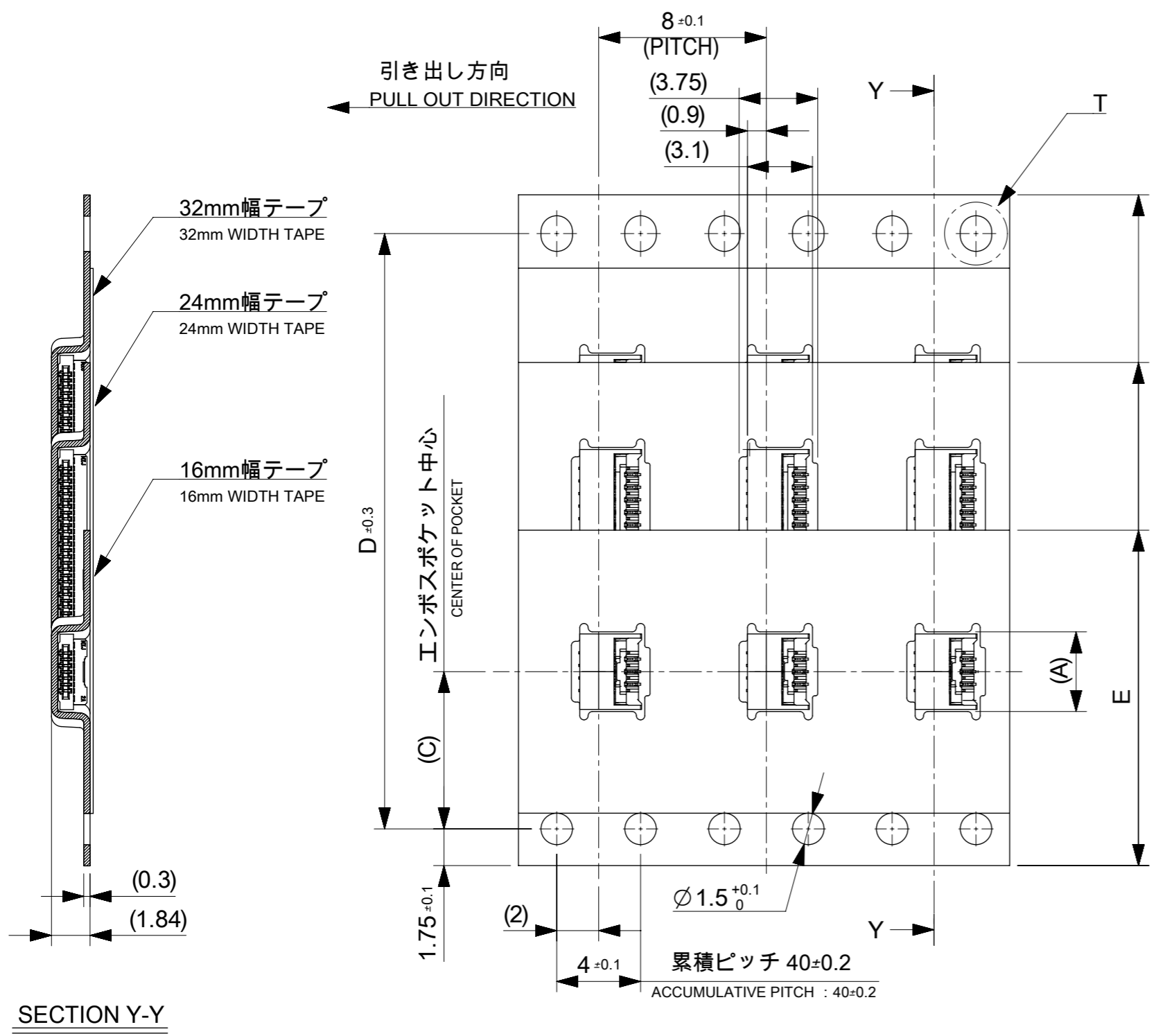


- 材料 MATERIAL  
キャリアテープ(CARRIER TAPE) : ポリスチレン(POLYSTYRENE)  
トップテープ(TOP TAPE) : PET, PE, PEF  
リール(REEL) : ポリスチレン(PS)<リサイクル材を含む>  
POLYSTYRENE (PS) <RECYCLE MATERIAL CONTAINED>
- ELV及びRoHS適合品  
ELV AND RoHS COMPLIANT



THIS DRAWING CONTAINS INFORMATION THAT IS PROPRIETARY TO MOLEX ELECTRONIC TECHNOLOGIES, LLC AND SHOULD NOT BE USED WITHOUT WRITTEN PERMISSION

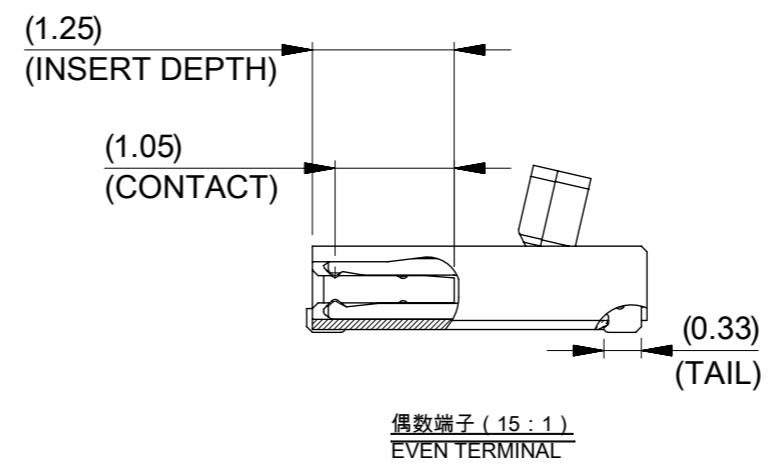
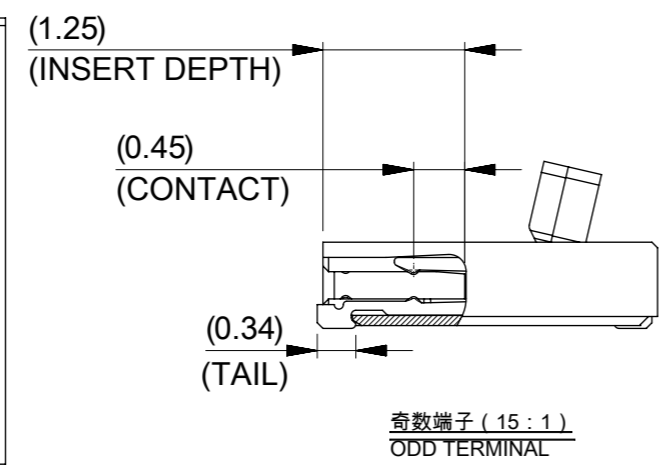
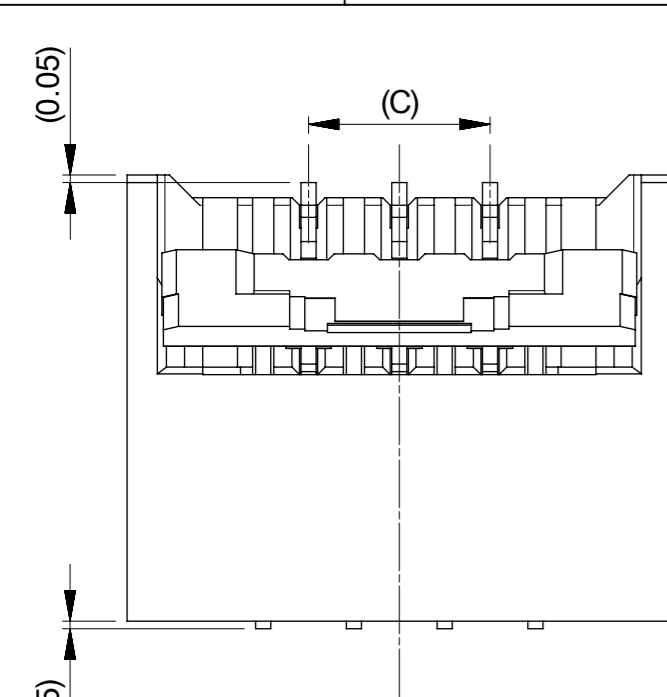
EC NO: 104191 DRWN: AYOSHII01 CHK'D: TKUSUHARA01 APPR: TKUSUHARA01	2016/04/06 2016/04/18 2016/04/18	GENERAL TOLERANCES (UNLESS SPECIFIED) ANGULAR TOL ± 1.0 °	DIMENSION UNITS: mm SCALE: <del>1:1</del>			
	4 PLACES ± 0.03 3 PLACES ± 0.03 2 PLACES ± 0.05 1 PLACE ± 0.1 0 PLACES ± 0.2	DRWN BY: AYOSHII01 DATE: 2016/04/06	CHK'D BY: YKOBAYASHI02 DATE:			
	DRAFT WHERE APPLICABLE MUST REMAIN WITHIN DIMENSIONS	APPR BY: TKUSUHARA01 DATE: 2016/04/18	DRAWING SIZE: A3 THIRD ANGLE PROJECTION	PRODUCT CUSTOMER DRAWING		
				SERIES: 504754 MATERIAL NUMBER: SEE SHEET 1 CUSTOMER:	DOCUMENT NUMBER: 5047540004 DOC TYPE: PSD DOC PART: 000 SHEET NUMBER: 1 OF 2	



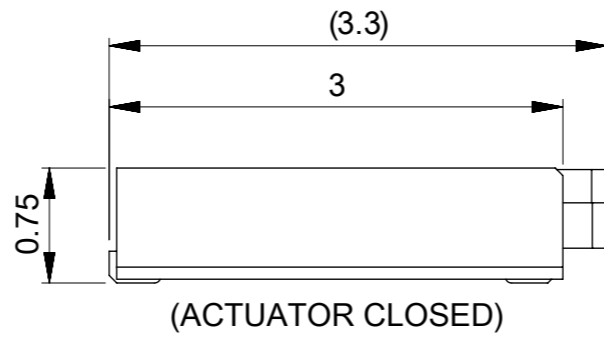
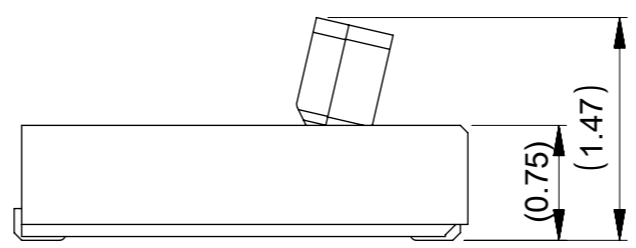
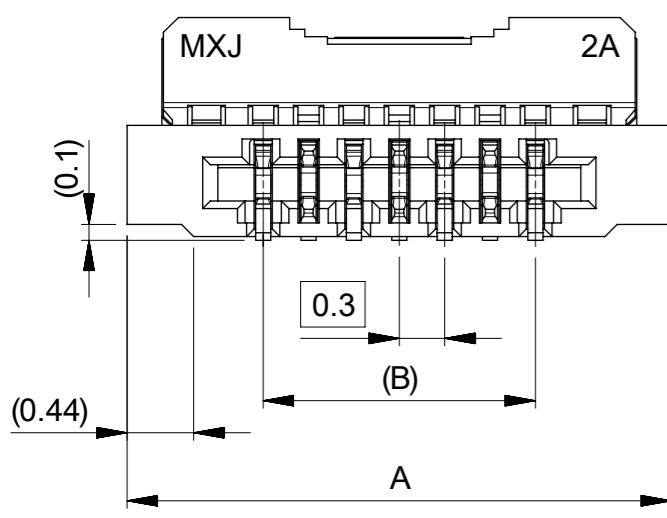
32±0.3	28.4	14.2	33.4	20.0	504754-6160	61			
				17.0	504754-5160	51			
24±0.3	--	11.5	25.4	14.0	504754-4160	41			
				13.4	504754-3960	39			
				12.8	504754-3760	37			
				12.2	504754-3560	35			
				11.6	504754-3360	33			
				11.0	504754-3160	31			
				9.2	504754-2560	25			
				8.0	504754-2160	21			
16±0.3	--	7.5	17.4	6.2	504754-1560	15			
				4.9	504754-1160	11			
				4.3	504754-0960	9			
				3.7	504754-0760	7			
Eキャリアテープ幅 EMBOSSED TAPE WIDTH				D	C	B	A	オーダー番号 ORDER NO.	極数 CIRCUITS

THIS DRAWING CONTAINS INFORMATION THAT IS PROPRIETARY TO MOLEX ELECTRONIC TECHNOLOGIES, LLC AND SHOULD NOT BE USED WITHOUT WRITTEN PERMISSION

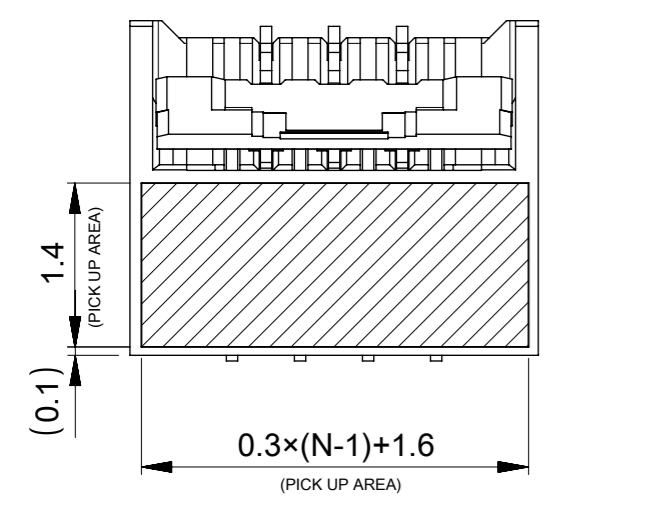
EC NO: 104191 DRWN: AYOSHII01 CHK'D: TKUSUHARA01 APPR: TKUSUHARA01	2016/04/06 2016/04/18 2016/04/18	GENERAL TOLERANCES (UNLESS SPECIFIED) ANGULAR TOL ± 1.0 °	DIMENSION UNITS: mm SCALE: ±0±		
	4 PLACES ± 0.03 3 PLACES ± 0.03 2 PLACES ± 0.05 1 PLACE ± 0.1 0 PLACES ± 0.2	DRWN BY: AYOSHII01 DATE: 2016/04/06	CHK'D BY: YKOBAYASHI02 DATE:		0.3 FPC CONN. B/F LA75 SERIES TAPING PKG
	DRAFT WHERE APPLICABLE MUST REMAIN WITHIN DIMENSIONS	APPR BY: TKUSUHARA01 DATE: 2016/04/18	DRAWING SIZE: A3 THIRD ANGLE PROJECTION		PRODUCT CUSTOMER DRAWING
	A	SERIES: 504754 MATERIAL NUMBER: SEE SHEET 1 CUSTOMER:	DOCUMENT NUMBER: 5047540004 DOC TYPE: PSD DOC PART: 000 SHEET NUMBER: 2 OF 2		PRODUCT CUSTOMER DRAWING



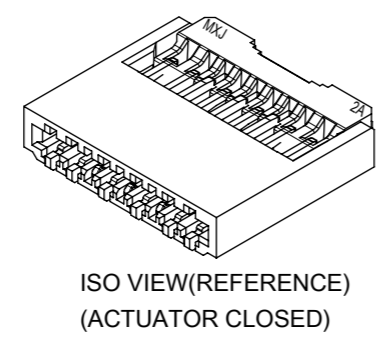
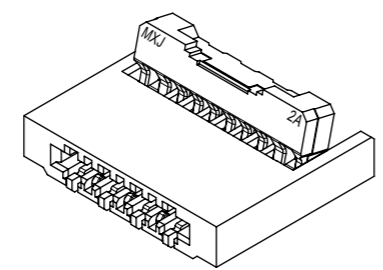
注記 NOTES:  
 1.材質 MATERIAL  
 ハウジング: 液晶ポリマー(LCP)、黒色、ガラス充填、UL94\_V-0  
 HOUSING: LIQUID CRYSTAL POLYMER, BLACK, GLASS FILLED, UL94\_V-0  
 アクチュエータ: 液晶ポリマー(LCP)、ナチュラル色、ガラス充填、UL94\_V-0  
 ACTUATOR: LIQUID CRYSTAL POLYMER, NATURAL, GLASS FILLED, UL94\_V-0  
 奇数ターミナル: 銅合金 (t=0.10)  
 ODD TERMINAL: COPPER ALLOY(t=0.10)  
 偶数ターミナル: 銅合金 (t=0.10)  
 EVEN TERMINAL: COPPER ALLOY(t=0.10)  
 2.めっき仕様 PLATING  
 奇数 / 偶数ターミナル ODD/EVEN TERMINAL  
 接点部: 部分金めっき(0.1μm以上)  
 CONTACT AREA: SEPARATED GOLD PLATING (0.1 MICROMETER MINIMUM)  
 半田付け部: 部分金めっき  
 SOLDER TAIL AREA: SEPARATED GOLD PLATING  
 下地: ニッケルめっき(1.0μm以上)  
 UNDERPLATE: NICKEL PLATING(1.0 MICROMETER MINIMUM)  
 3.平坦度は、0.1ミリ以下とする。  
 TAILS' COPLANARITY TO BE 0.1 MAXIMUM.  
 4.ELV及びRoHS適合品  
 ELV AND RoHS COMPLIANT



18.6	17.4	18.0	19.8	504754-6160	61
15.6	14.4	15.0	16.8	504754-5160	51
12.6	11.4	12.0	13.8	504754-4160	41
12.0	10.8	11.4	13.2	504754-3960	39
11.4	10.2	10.8	12.6	504754-3760	37
10.8	9.6	10.2	12.0	504754-3560	35
10.2	9.0	9.6	11.4	504754-3360	33
9.6	8.4	9.0	10.8	504754-3160	31
7.8	6.6	7.2	9.0	504754-2560	25
6.6	5.4	6.0	7.8	504754-2160	21
4.8	3.6	4.2	6.0	504754-1560	15
3.6	2.4	3.0	4.8	504754-1160	11
3.0	1.8	2.4	4.2	504754-0960	9
2.4	1.2	1.8	3.6	504754-0760	7
D	C	B	A	EMBOSSED PACKAGE	CIRCUITS
				オーダー番号 : ORDER NO.	
CONNECTOR SERIES 504754-**69					



推奨ピックアップエリア(15 : 1)  
RECOMMENDED PICK UP AREA



THIS DRAWING CONTAINS INFORMATION THAT IS PROPRIETARY TO MOLEX ELECTRONIC TECHNOLOGIES, LLC AND SHOULD NOT BE USED WITHOUT WRITTEN PERMISSION

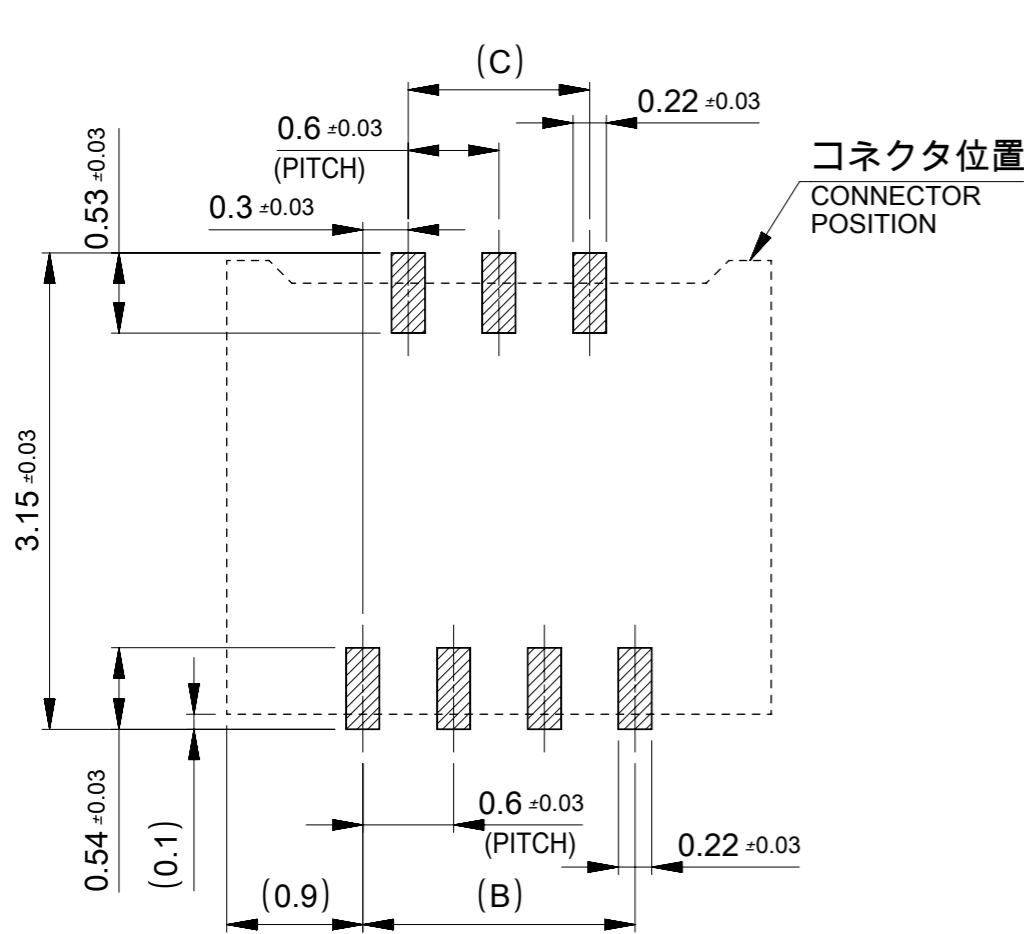
REVISED	2016/06/08	2016/06/08	2016/06/08	GENERAL TOLERANCES (UNLESS SPECIFIED)	DIMENSION UNITS	SCALE	
	EC NO: 105622	DRWN: YCHEN128	CHK'D: TKUSUHARA01		mm	20:1	
	REV	APPR: TKUSUHARA01			ANGULAR TOL ± 1.0 °	DRWN BY	DATE
					4 PLACES ± 0.03	AYOSHII01	2016/04/05
					3 PLACES ± 0.03	CHK'D BY	DATE
					2 PLACES ± 0.05	YKOBAYASHI02	2016/04/15
					1 PLACE ± 0.1	APPR BY	DATE
					0 PLACES ± 0.2	TKUSUHARA01	2016/04/18
					DRAFT WHERE APPLICABLE MUST REMAIN WITHIN DIMENSIONS	DRAWING SIZE	THIRD ANGLE PROJECTION
						A3	

**molex**<sup>®</sup>

0.3 FPC LA75 SERIES ASSY

PRODUCT CUSTOMER DRAWING

SERIES	MATERIAL NUMBER	CUSTOMER	
504754	SEE SHEET 1		
DOCUMENT NUMBER	DOC TYPE	DOC PART	SHEET NUMBER
5047541004	PSD	000	1 OF 2



推奨基板レイアウト

RECOMMENDED P.C. BOARD  
PATTERN LAYOUT

推奨メタルマスク厚さ : 0.1mm

RECOMMENDED METAL MASK THICKNESS : 0.1mm

推奨開口率 : 70%

APERTURE RATE : 70%

注記

NOTE

1. 必ず基板に実装してからアクチュエータを操作して下さい。  
PLEASE OPERATE THE ACTUATOR AFTER MOUNTING ON THE SUBSTRATE.

2. FPCについて  
ABOUT FPC

補強フィルム材質はポリイミドを推奨します。ベースフィルムは25μmを推奨します。

接着剤は熱硬化接着剤を推奨します。

尚、接着剤の接点部への付着は導通不良の原因になりますので、染み出しが無い様、お願い致します。

RECOMMENDED STIFFENER MATERIAL: POLYIMIDE

RECOMMENDED BASE FILM THICKNESS: 25 MICROMETER

RECOMMENDED ADHESIVE: THERMOSETTING ADHESIVE

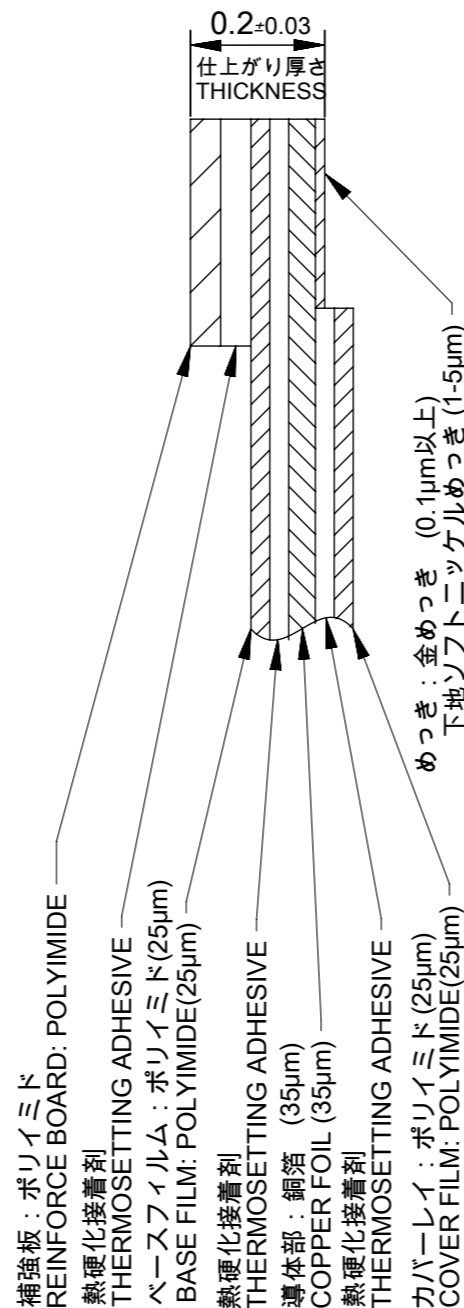
NOTE: PLEASE PUT APPROPRIATE AMOUNT OF ADHESIVE

ON ADHEREND BECAUSE THERE IS A POSSIBILITY THAT THE EXTRA ADHESIVE CAUSES THE DEFECT IN ELECTRICAL CONTINUITY.

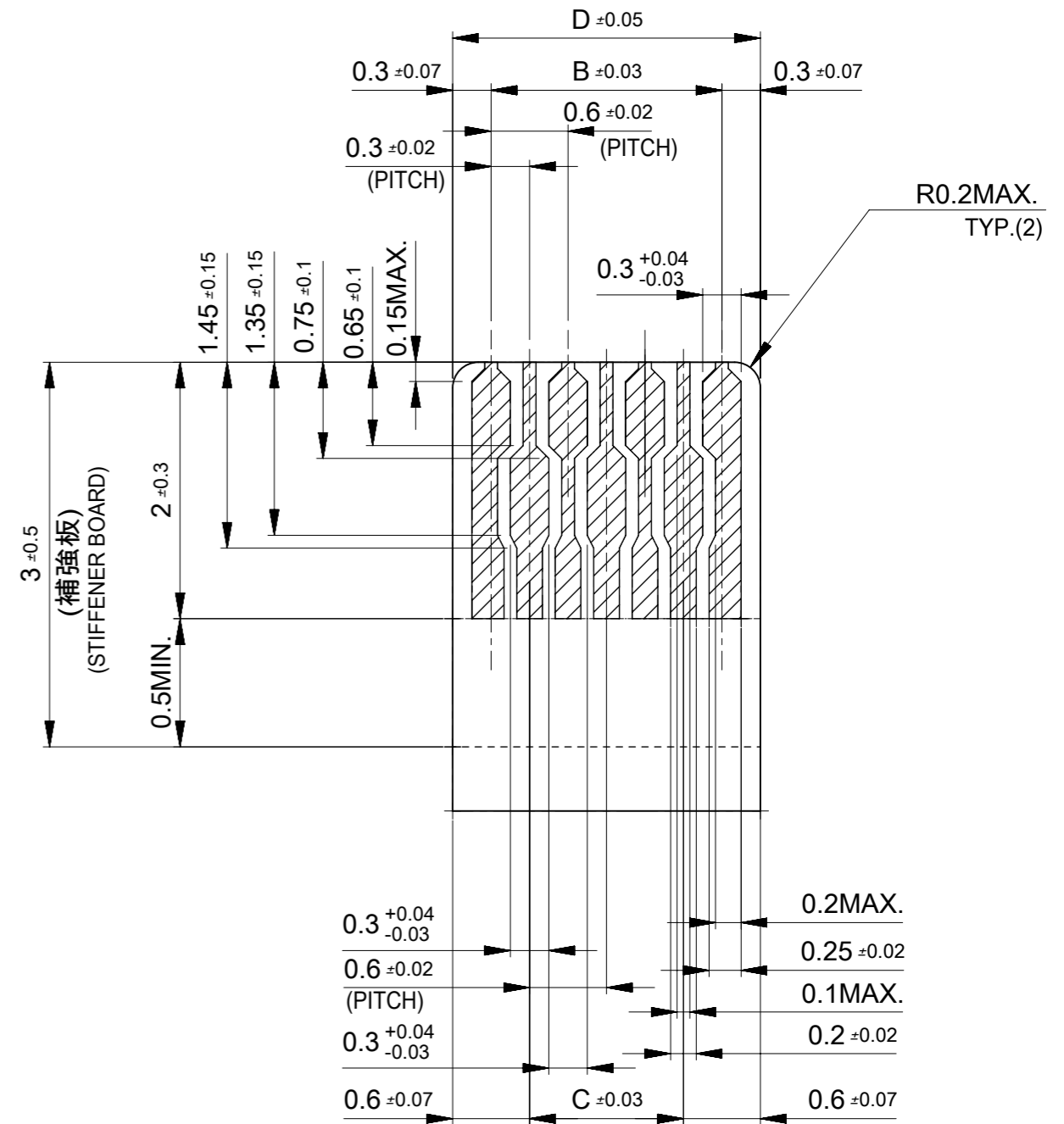
打抜き方向は導体側から補強板側を推奨致します。

RECOMMENDED PUNCHER DIRECTION:

FROM CONDUCTOR SIDE TO STIFFENER FILM SIDE.



FPC構成推奨仕様  
STRUCTURE OF FPC



適合金メッキFPC推奨寸法  
仕上がり厚さ : 0.2 ±0.03

APPLICABLE FPC WITH GOLD PLATING  
RECOMMENDED DIMENSION  
THICKNESS : 0.2 ±0.03

THIS DRAWING CONTAINS INFORMATION THAT IS PROPRIETARY TO MOLEX ELECTRONIC TECHNOLOGIES, LLC AND SHOULD NOT BE USED WITHOUT WRITTEN PERMISSION

REVISED	2016/06/08	2016/06/08	2016/06/08	GENERAL TOLERANCES (UNLESS SPECIFIED)	DIMENSION UNITS	SCALE									
	EC NO: 105622	DRWN: YCHEN128	CHK'D: TKUSUHARA01		mm	20:1									
	4 PLACES	± 0.03	AYOSHII01		DATE	2016/04/05									
	3 PLACES	± 0.03	CHK'D BY		DATE	YKOBAYASHI02 2016/04/15									
2 PLACES	± 0.05	APPR BY	DATE	TKUSUHARA01 2016/04/18	PRODUCT CUSTOMER DRAWING										
1 PLACE	± 0.1	DRAWING SIZE	THIRD ANGLE PROJECTION	0 PLACES	± 0.2	A3	<table border="1"> <tr> <td>SERIES</td> <td>MATERIAL NUMBER</td> <td>CUSTOMER</td> </tr> <tr> <td>504754</td> <td>SEE SHEET 1</td> <td></td> </tr> </table>	SERIES	MATERIAL NUMBER	CUSTOMER	504754	SEE SHEET 1			
SERIES	MATERIAL NUMBER	CUSTOMER													
504754	SEE SHEET 1														
DRAFT WHERE APPLICABLE MUST REMAIN WITHIN DIMENSIONS							<table border="1"> <tr> <td>DOCUMENT NUMBER</td> <td>DOC TYPE</td> <td>DOC PART</td> <td>SHEET NUMBER</td> </tr> <tr> <td>5047541004</td> <td>PSD</td> <td>000</td> <td>2 OF 2</td> </tr> </table>	DOCUMENT NUMBER	DOC TYPE	DOC PART	SHEET NUMBER	5047541004	PSD	000	2 OF 2
DOCUMENT NUMBER	DOC TYPE	DOC PART	SHEET NUMBER												
5047541004	PSD	000	2 OF 2												