

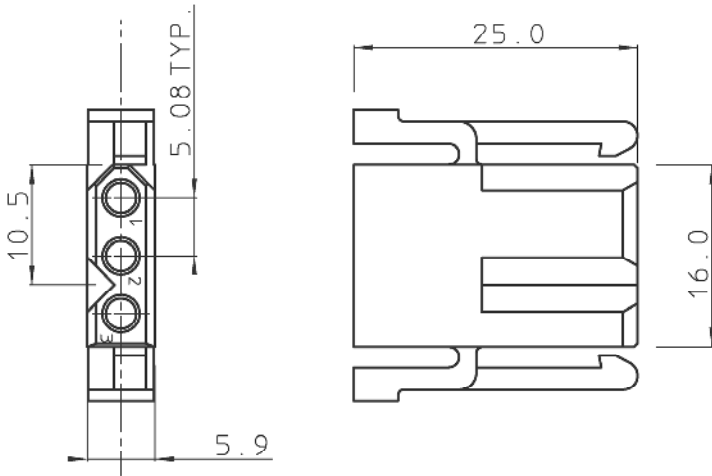
DIT IS ONZE EIGENDOM EN MAG NOCH NAGEMAAKT, HERDRUKT, OVERGEMAAKT AAN DERDEN, NOCH VOOR FABRIKATIE GEBRUIKT WORDEN, ZONDER ONZE SCHRIFTELIJKE TOELATING. BIJ NIET GEBRUIK IS DE TERUGZENDING VERPLICHT.

THIS IS OUR EXCLUSIVE PROPERTY. IT IS NOT TO BE COPIED, REPRINTED OR DISCLOSED TO A THIRD PARTY, NOR USED FOR MANUFACTURING WITHOUT OUR WRITTEN CONSENT, AND HAS TO BE RETURNED TO US IN CASE OF NO USAGE.

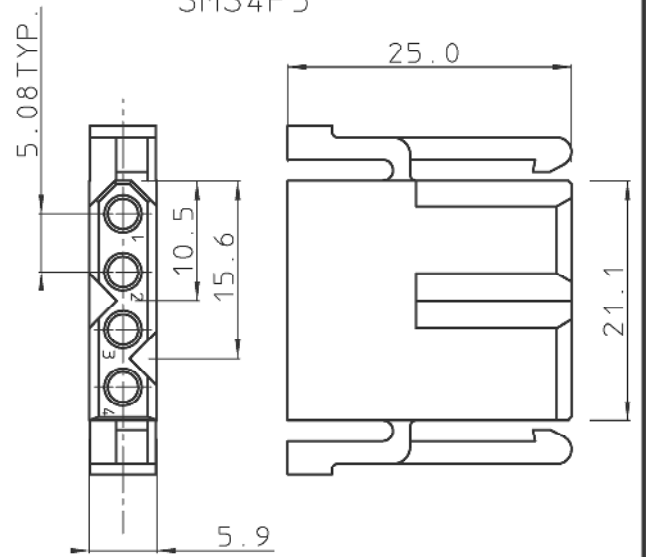
BS,A , 200405, 001, 01

REV.	DATE	DESCRIPTION	BY	C'K'D'
01	12-02-96	CONVERSION ME10	NIETVELT	

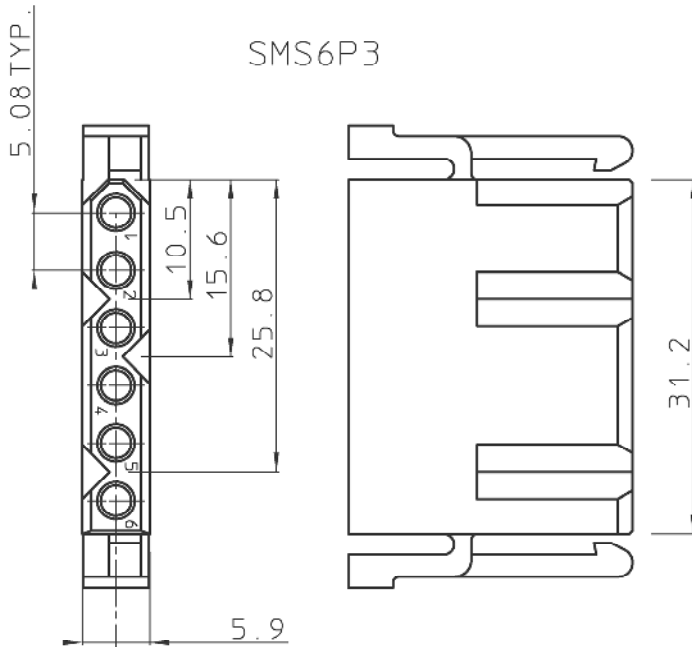
SMS3P3



SMS4P3



SMS6P3



MATERIAL :

BODY : POLYAMIDE 6.6 UL94V2 ; COLOUR : BLACK
OR UL94V0 ; COLOUR : OCHRE.

PERFORMANCE CHARACTERISTICS :

OPERATING TEMPERATURE : -55°C TO +105°C
INSULATING RESISTANCE : 5000M Ω MIN.
TEST POTENTIAL : 2000 VAC

NOTES :

1. CONNECTOR ACCEPTS #16 STRIP FORMED, MACHINED AND SUBMINIATURE COAXIAL PIN AND SOCKET CONTACTS.
2. CONTACTS TO BE ORDERED SEPARATELY : REFER TO DATA SHEETS 2-110, 2-111, 2-112, 2-113, 2-114.

GEN. ST.	01	02	03	04	05	06	07	08	0D	50	60	70	80	90																	
INT. ST.	10	11	12	13	14	18	20	31	32	33	34	38	39	40	42	43	44	45	46	48	56	70	72	73	75	76	81	82	83	84	88

1DEC ± 0.2 1DEC 2DEC ± 0.1 2DEC ANGLES $\pm 1^\circ$ HOEKEN	APPR.	DATE	SIGN.	QIKMATE IN-LINE PINHEADER PLUG
WE RESERVE THE RIGHT TO CHANGE DIMENSIONS OR REQUIREMENTS WITHOUT PRIOR NOTICE.	DRAFT	30.06.86	E. CREELLE	CAT. No. SMS-P3
ALL DIMENSIONS IN MM ALLE AFMETINGEN IN MM	PROD. MGR.			SOURIAU Route Nationale 23 72470 CHAMPAGNE
	PR. ENG. MGR.			
	PR. MGT. MGR.			BS,A , 200405, 001, 01 DRAWING NR. CUSTOMER DRAWING