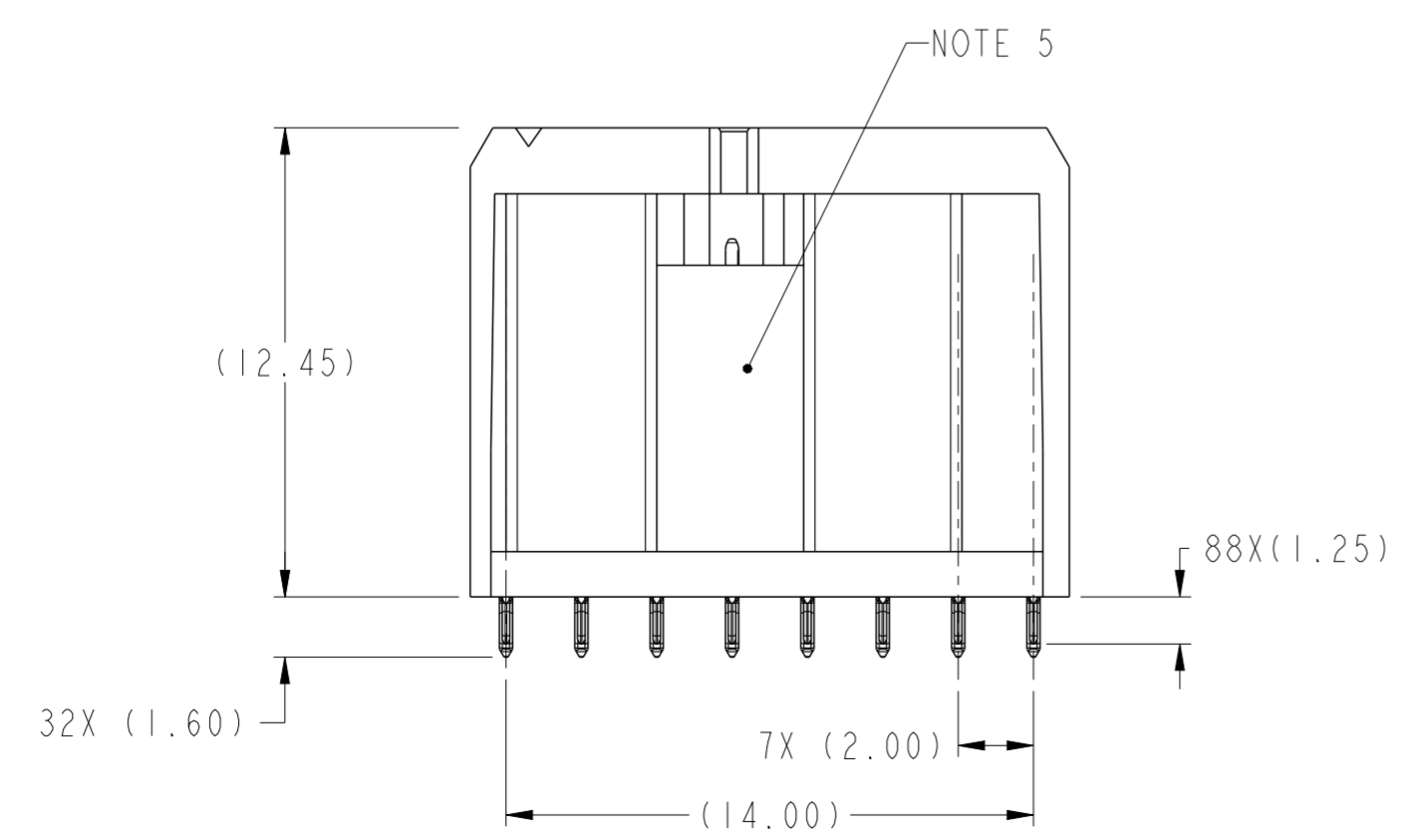
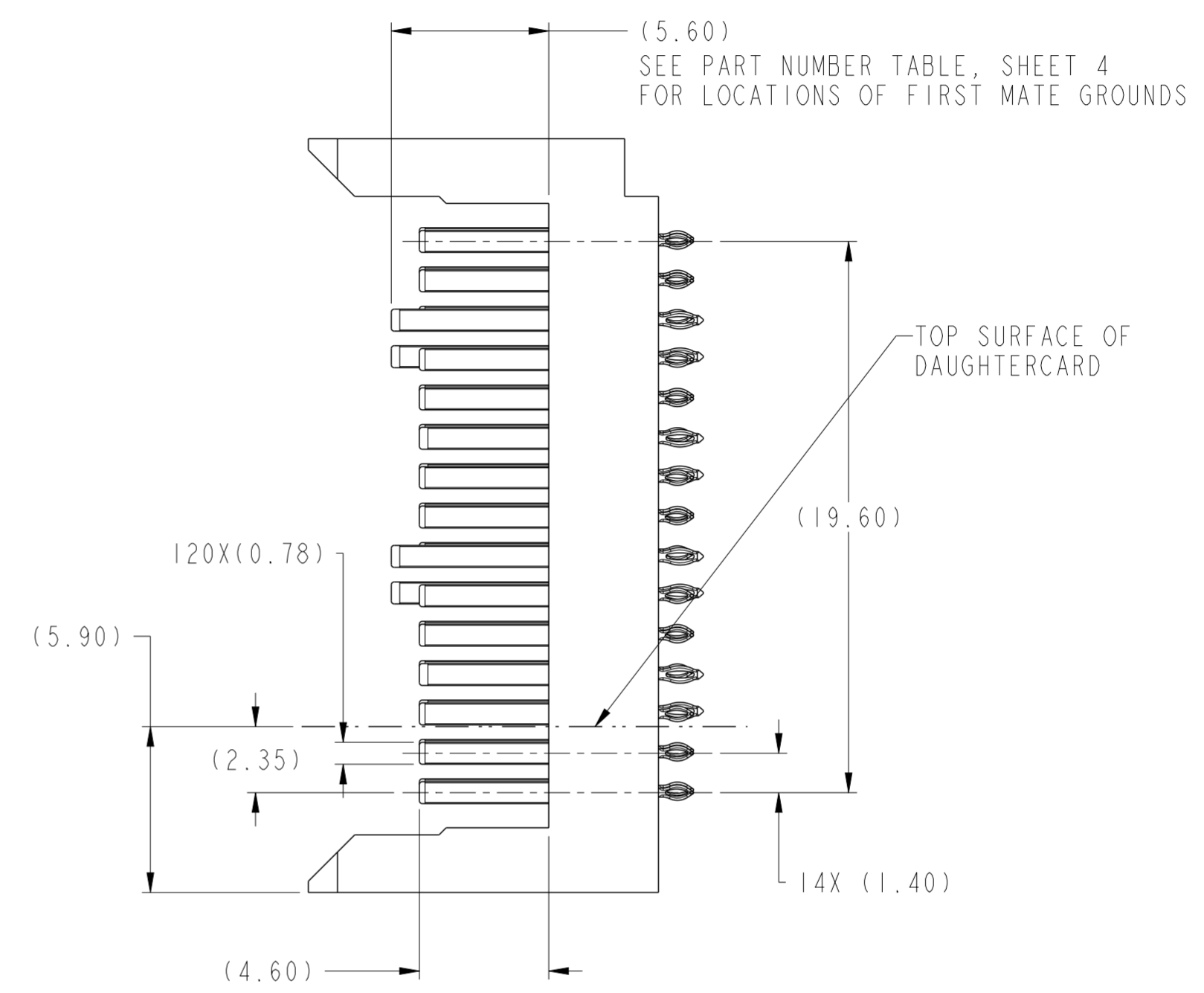
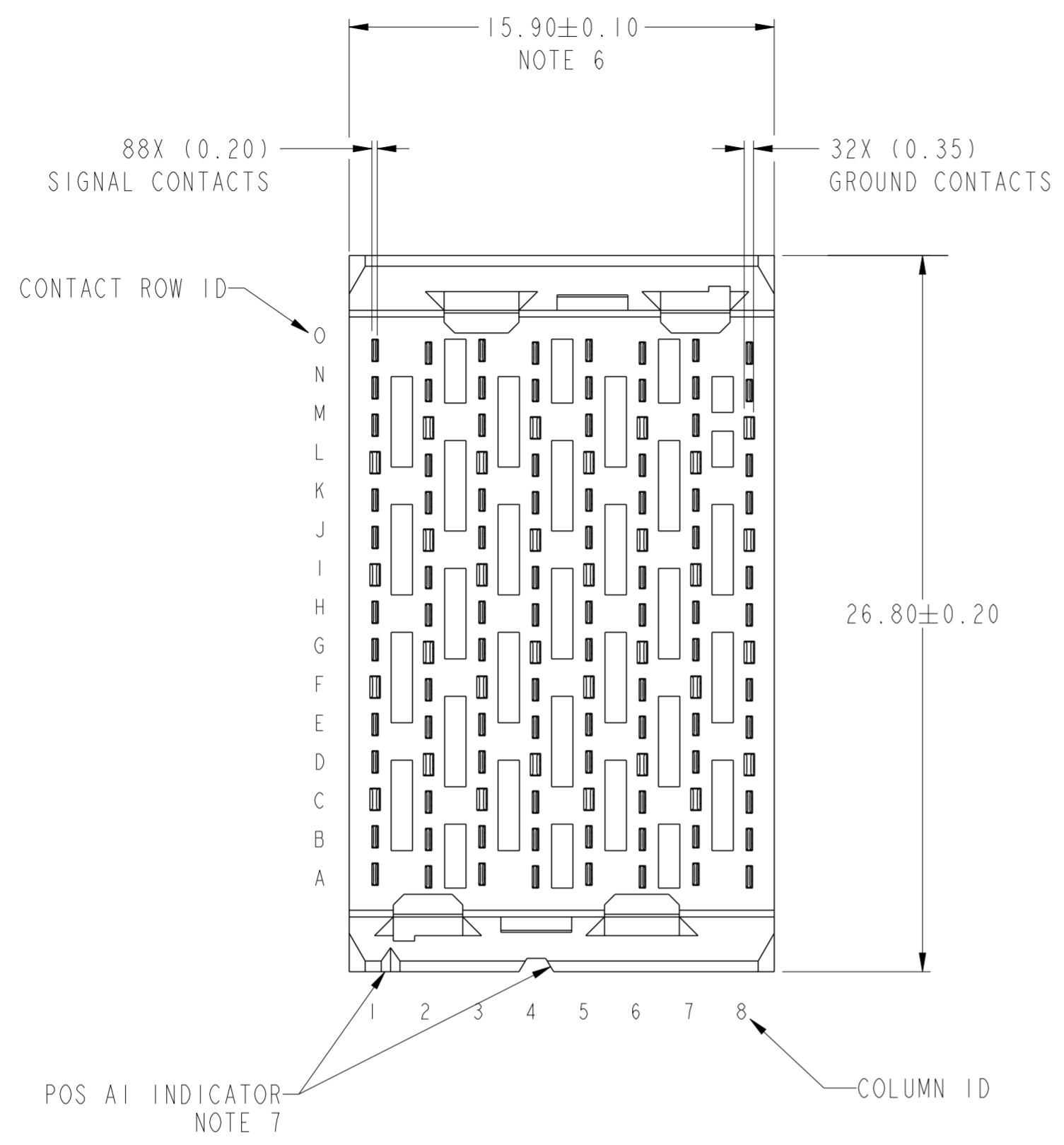


Product number
SEE TABLE, SHT 4



spec ref	-	dr	Tao Zhan	2014/06/11	projection	MM	size	A2	scale	5:1
tolerance std	ASME Y14.5	eng	Jeny Ren	2014/08/24	chr	-	ecn no	-	rel level	Released
surface	✓	appr	Collins Lu	2014/08/24	product family	AIRMAX VS	cat. no.	10130530	rev	A
ASME Y14.5	linear	0.X	±0.3	angular	0°	±2°	www.fci.com	Product - Customer Drw	sheet 1 of 4	

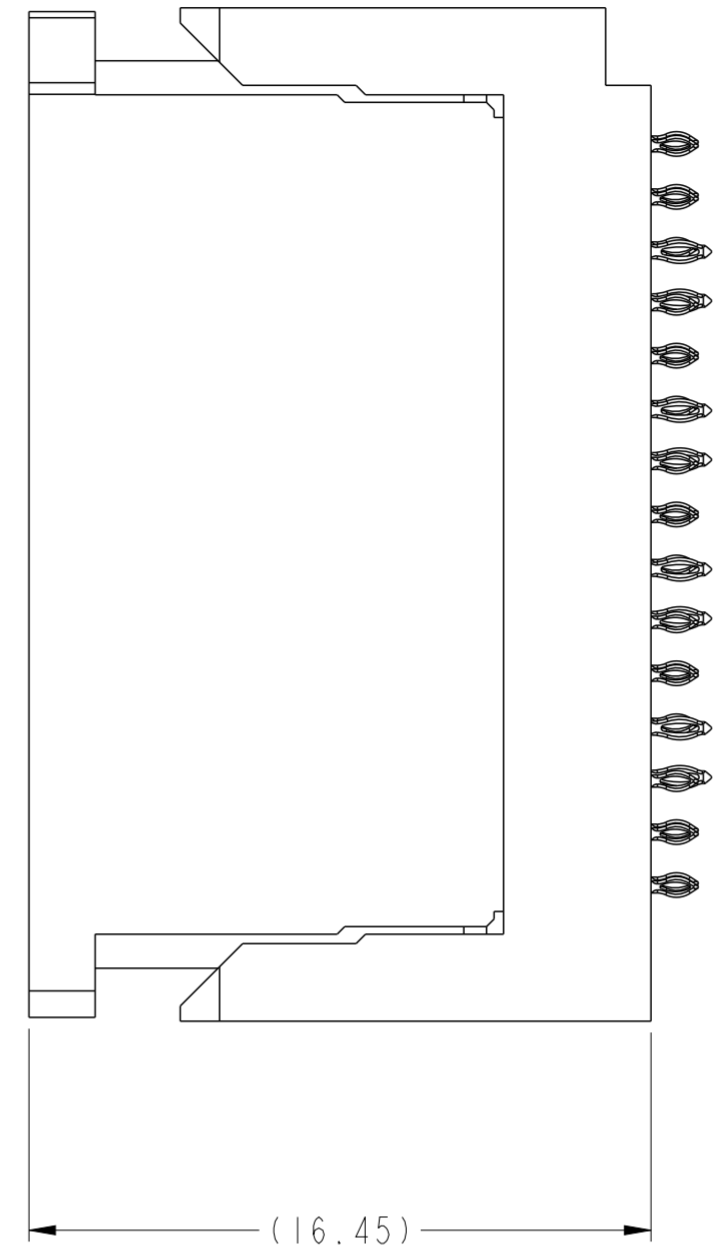
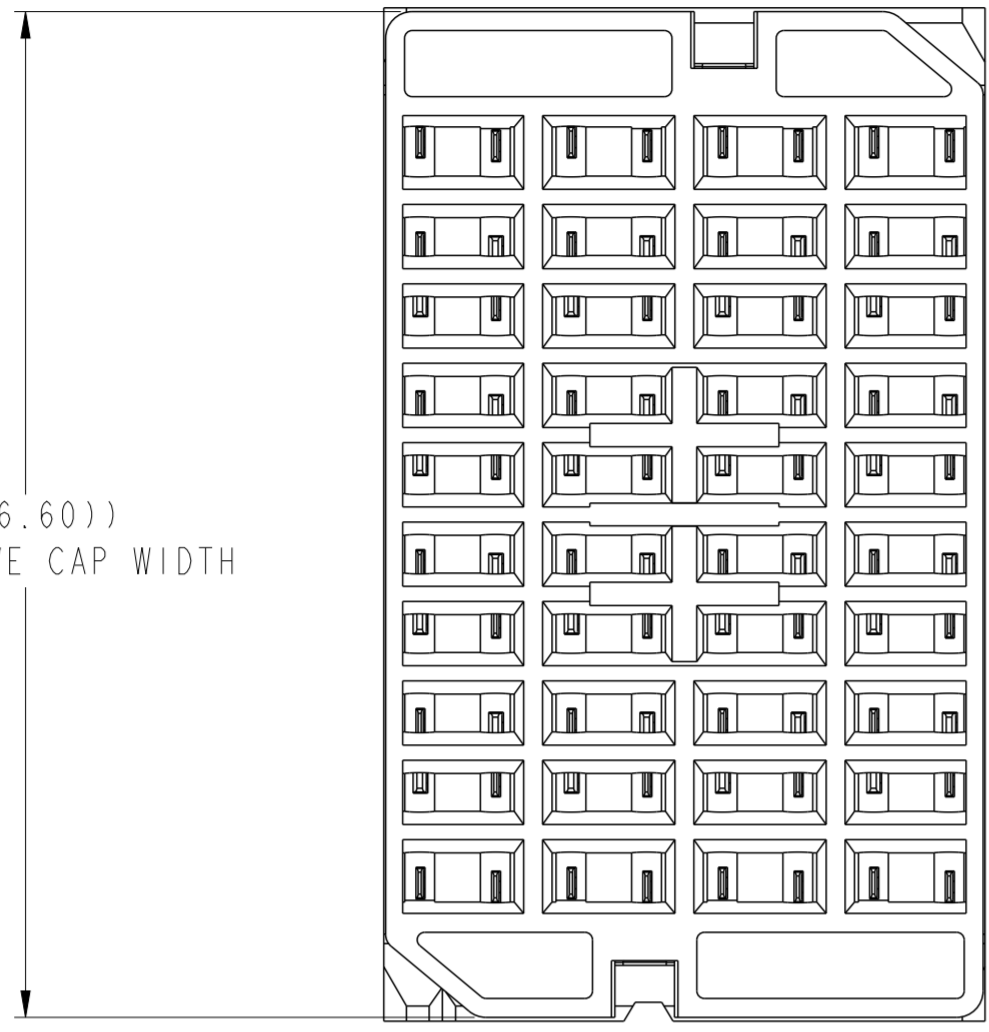
PDS: Rev :A

STATUS:Released

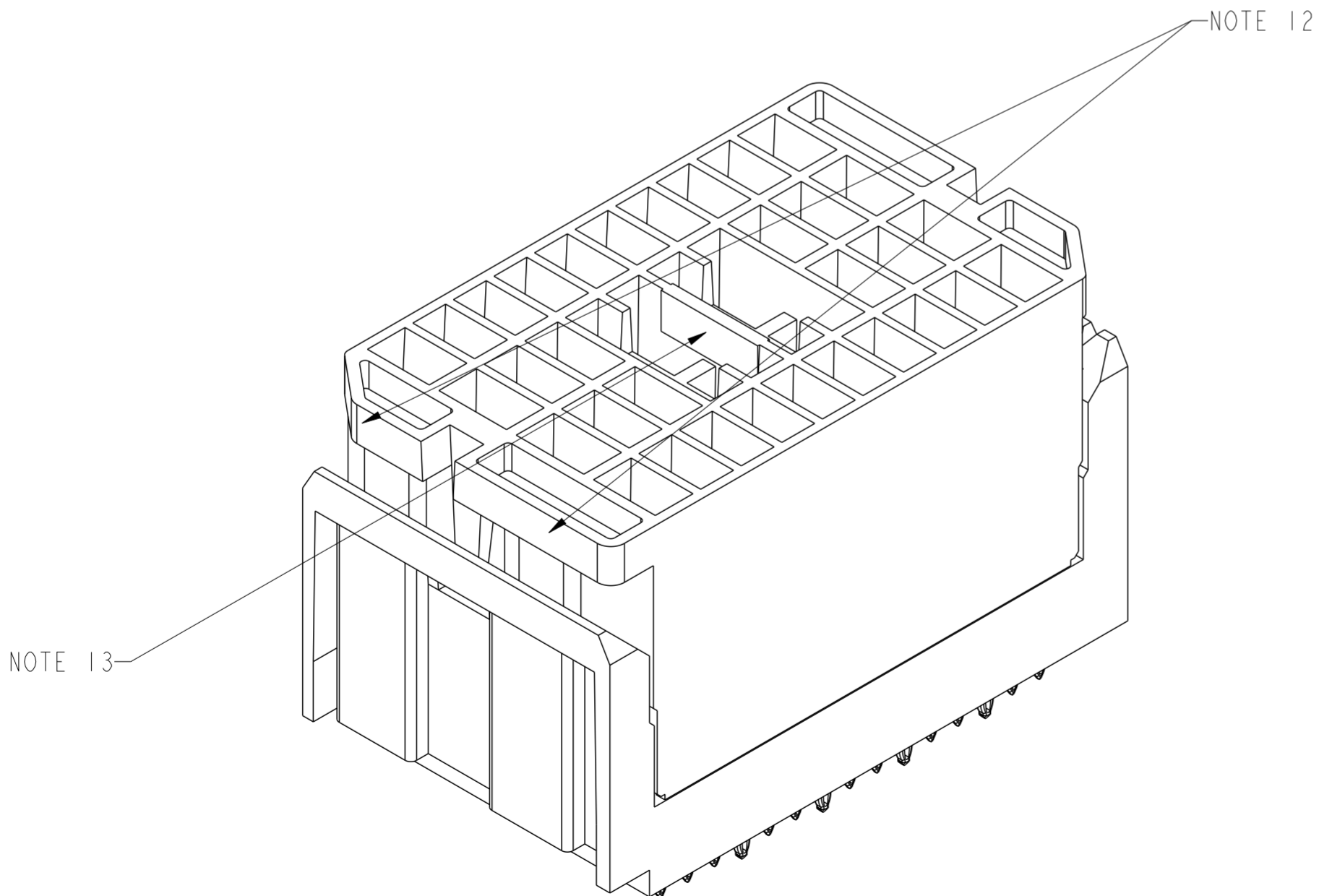
Printed: Aug 25, 2014

Copyright FCI. FCI

((26.60))
PROTECTIVE CAP WIDTH

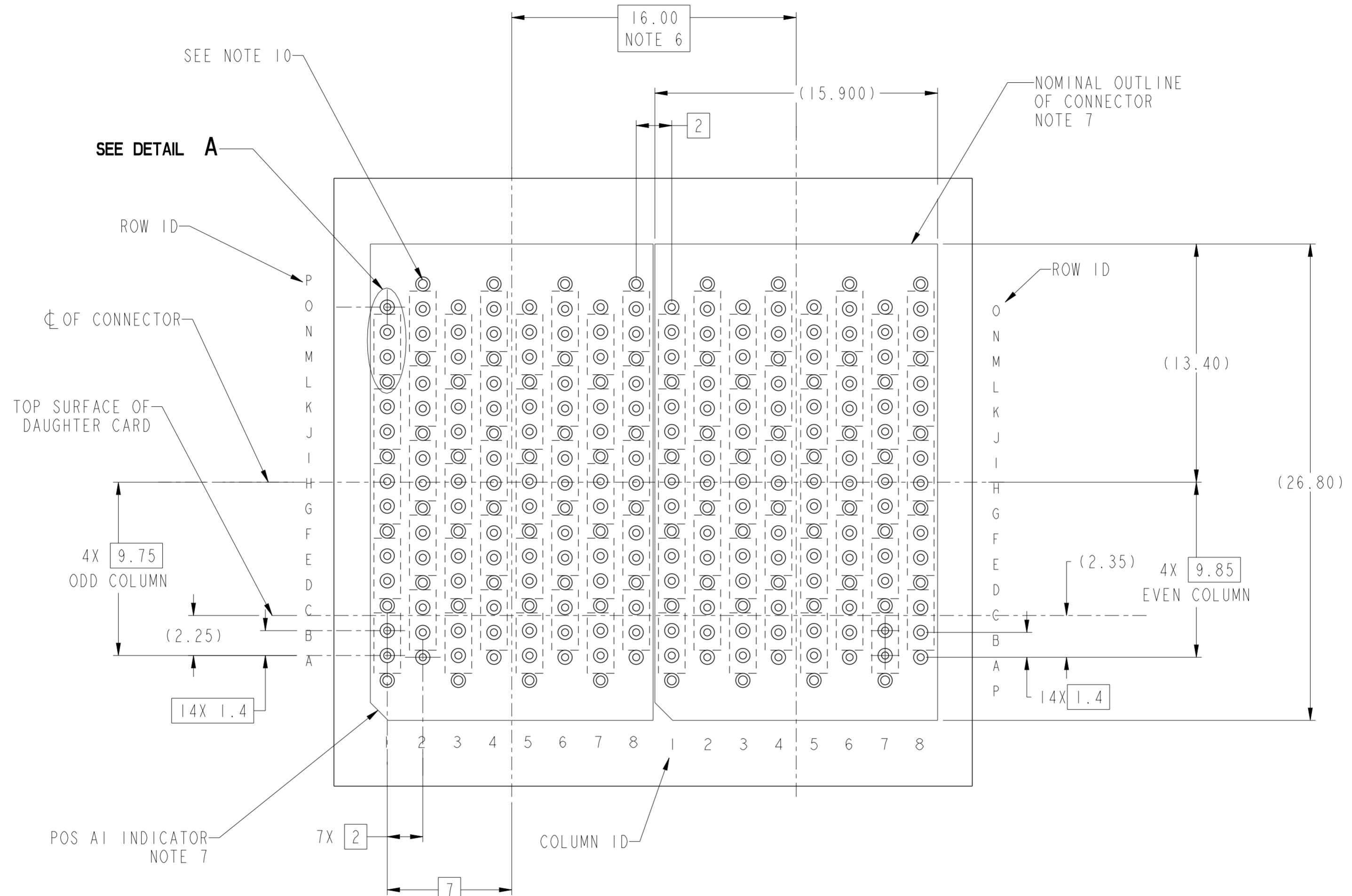


VIEWS SHOWN WITH
PROTECTIVE COVER INSTALLED
10130530-101LF

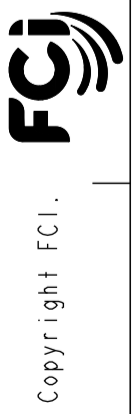


spec ref	-	dr	Tao Zhan	2014/06/11	projection	MM	size	A2	scale	5:1
tolerance std	ASME Y14.5	eng	Jeny Ren	2014/08/24			ecn no	-	rel level	
TOLERANCES UNLESS OTHERWISE SPECIFIED		chr	-	product family			AIRMAX VS	rel level	Released	
surface	✓	appr	Collins Lu	2014/08/24			title	AIRMAX VSe VERTICAL HEADER	div no	10130530
ASME Y14.5	linear	0.X	±0.3	www.fci.com	cat. no.	-	Product - Customer Drw	sheet 2 of 4	rev	A
	angular	0°	±2°							

Copyright FCI.
FCJ




RECOMMENDED PCB LAYOUT
FOR DIFFERENTIAL APPLICATIONS,
COMPONENT SIDE
(TWO ADJACENT FOOTPRINTS SHOWN)
NOTES 6, AND 8

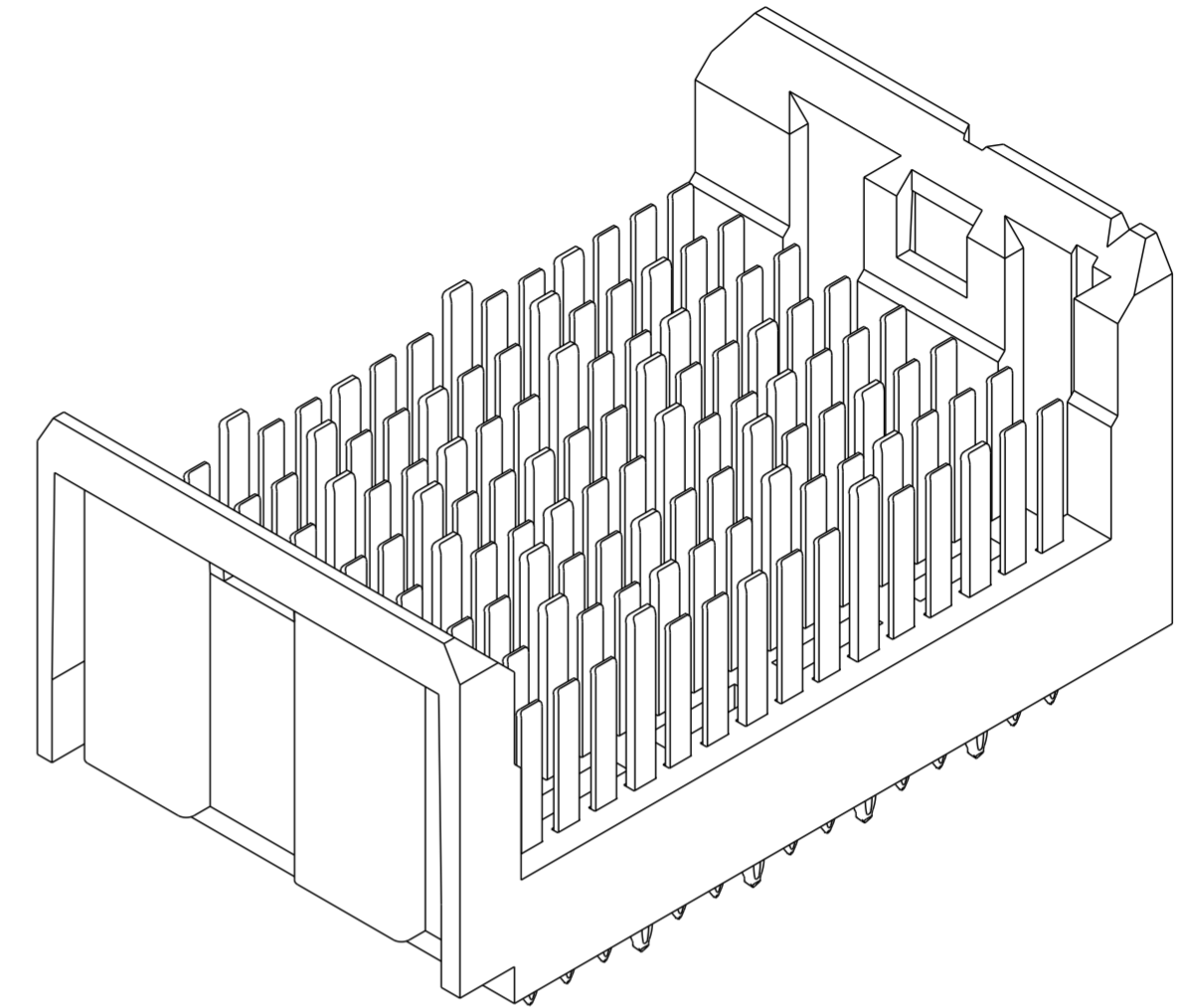


spec ref	-	dr	Tao Zhan	2014/06/11	projection	MM	size	A2	scale	3:1	
tolerance std	ASME Y14.5	eng	Jeny Ren	2014/08/24			ecn no	-	rel level	Released	
TOLERANCES UNLESS OTHERWISE SPECIFIED		chr	-	appr							Collins Lu
surface	✓	linear	0.X	±0.3		title AIRMAX VSe VERTICAL HEADER 5 PAIR 120 POS 2MM 8COL SMALL PRESS FIT	dwg no 10130530	rev A	Product - Customer Drw		
ASME Y14.5	angular	0°	±2°	www.fci.com					cat. no.	-	sheet 3 of 4

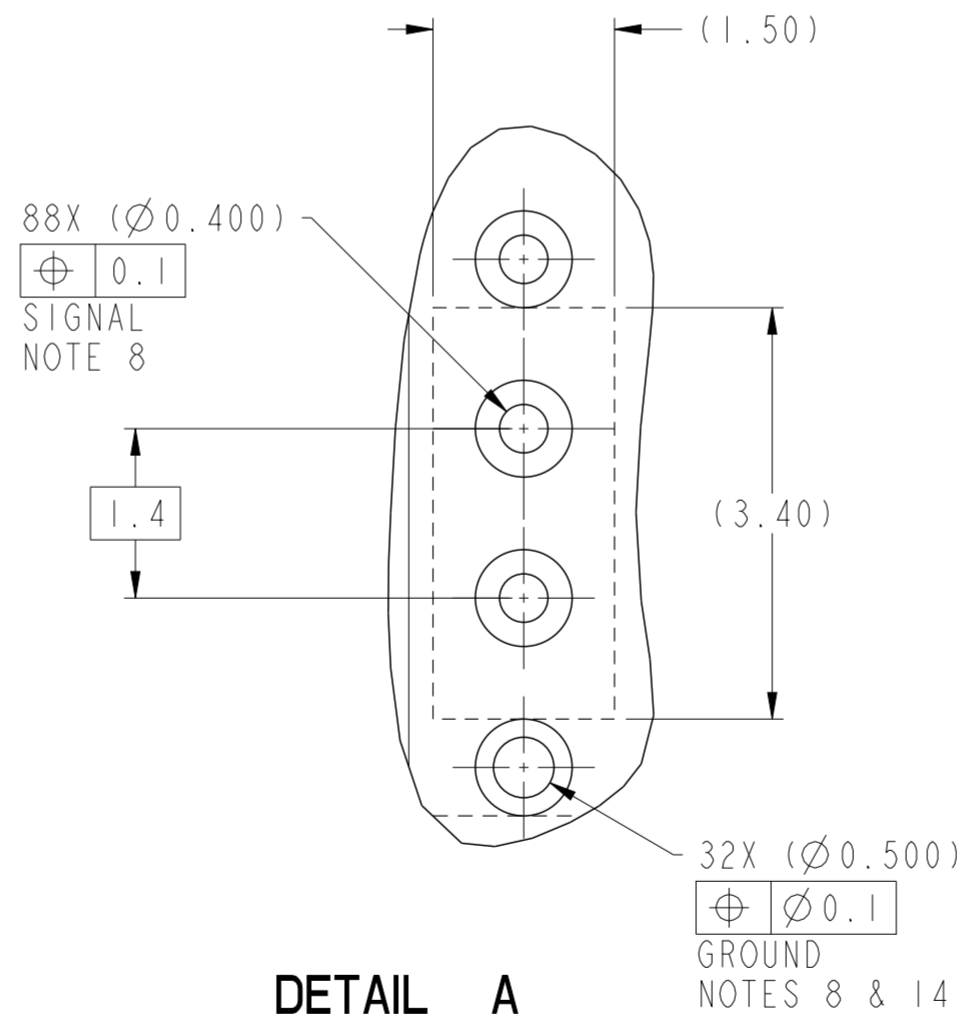
PART NUMBER	PRESS-FIT TAIL PLATING TYPE	PROTECTIVE COVER	LONG GROUND PIN LOCATIONS (5.6MM)
10130530-101LF		YES	F1,F3,F5,F7 G2,G4,G6,G8 L1,L3,L5,L7 M1,M3,M5,M7

NOTES:

- CONNECTOR MATERIALS:
HOUSING: HIGH TEMP THERMOPLASTIC, BLACK, UL94V-0
CONTACT: COPPER ALLOY
- CONTACT PLATING:
SEPARABLE INTERFACE: PERFORMANCE-BASED PLATING, QUALIFIED TO MEET THE REQUIREMENTS OF FCI PRODUCT SPECIFICATION GS-12-239 INCLUDING TELCORDIA GR-1217-CORE (NOVEMBER 1995) CENTRAL OFFICE TEST SEQUENCE
PRESS-FIT TAILS: SEE TABLE
- PRODUCT SPECIFICATION: GS-12-239.
- APPLICATION SPECIFICATION: GS-20-035.
- PRODUCT MARKING, (PROTOTYPE, PART NUMBER & LOT CODE), ON THIS SURFACE.
- THE MINIMUM CENTERLINE SPACING BETWEEN ADJACENT MODULES IS 16.0 mm.
- CONNECTOR OUTLINE WITH HOUSING POS AI INDICATOR MAY BE SCREEN PRINTED ONTO CUSTOMER PCB TO BE USED AS A GUIDE FOR MANUAL CONNECTOR PLACEMENT.
- REFER TO CUSTOMER DRAWING 10045979 FOR INFORMATION ON PCB HOLE DIAMETERS AND PLATING OPTIONS.
- THIS PRODUCT MEETS EUROPEAN UNION DIRECTIVES AND OTHER COUNTRY REGULATIONS AS DESCRIBED IN GS-22-008.
- THE OUTER VIAS IN COLUMN P ARE OPTIONAL. IF ADDED THESE HOLES PROVIDE GROUND SYMMETRY THROUGH THE PCB. NO CONNECTORS EONS WILL BE PRESSED INTO THESE HOLES.
- PACKAGING MEETS GS-14-920 LEAD FREE LABELING SPECIFICATION.
- FOR REMOVAL OF THE PROTECTIVE CAP BY HAND GRIP USING THESE SURFACES.
- FOR REMOVAL OF THE PROTECTIVE CAP WITH PLIERS GRIP USING THIS FEATURE.
- GROUND VIAS IN POSITION C, F, I, L & P FOR ODD COLUMNS AND POSITIONS D, G, J, M & P FOR EVEN COLUMNS REQUIRE (Ø0.50) FINISHED HOLES. ALL OTHER VIAS REQUIRE (Ø0.40) FINISHED HOLES.
- A  SYMBOL WILL BE NEXT TO ANY DIMENSION, VIEW, OR NOTE THAT HAS BEEN MODIFIED WITH THE CURRENT DRAWING REVISION.



10130530-101LF
(WITHOUT PROTECVITE COVER)



DETAIL A
SCALE 16:1

spec ref	-	dr	Tao Zhan	2014/06/11	projection	MM	size	A2	scale	5:1	
tolerance std	ASME Y14.5	eng	Jeny Ren	2014/08/24	chr	-	ecn no	-	rel level	Released	
surface	✓	appr	Collins Lu	2014/08/24	product family	AIRMAX VS	cat. no.	10130530	rev	A	
ASME Y14.5	linear	0.X	±0.3	0.XX	±0.10	0.XXX	±0.050	angular	0°	±2°	
		www.fci.com		title		AIRMAX VSe VERTICAL HEADER		5 PAIR 120 POS 2MM 8COL SMALL PRESS FIT		Product - Customer Drw	sheet 4 of 4