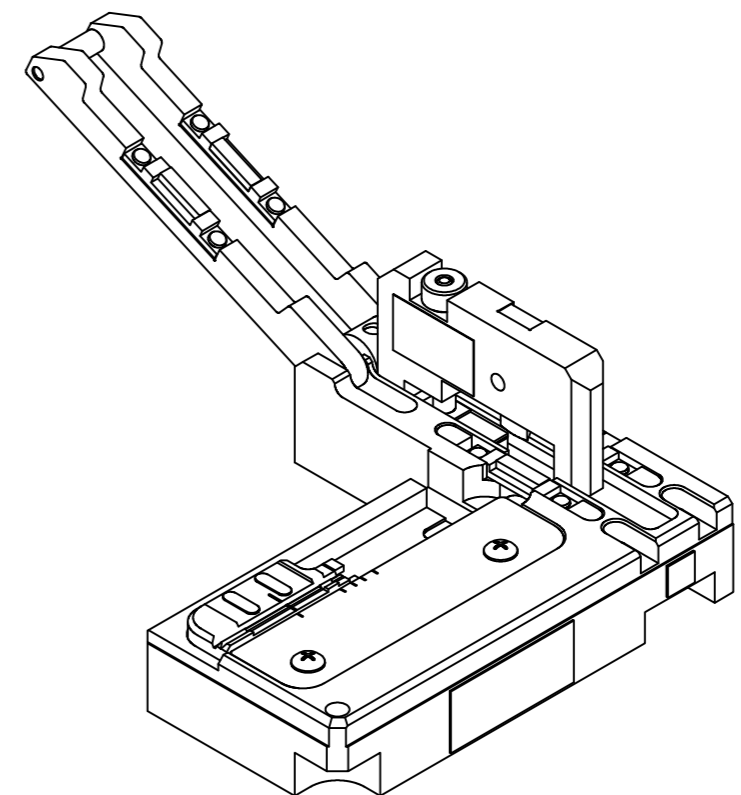
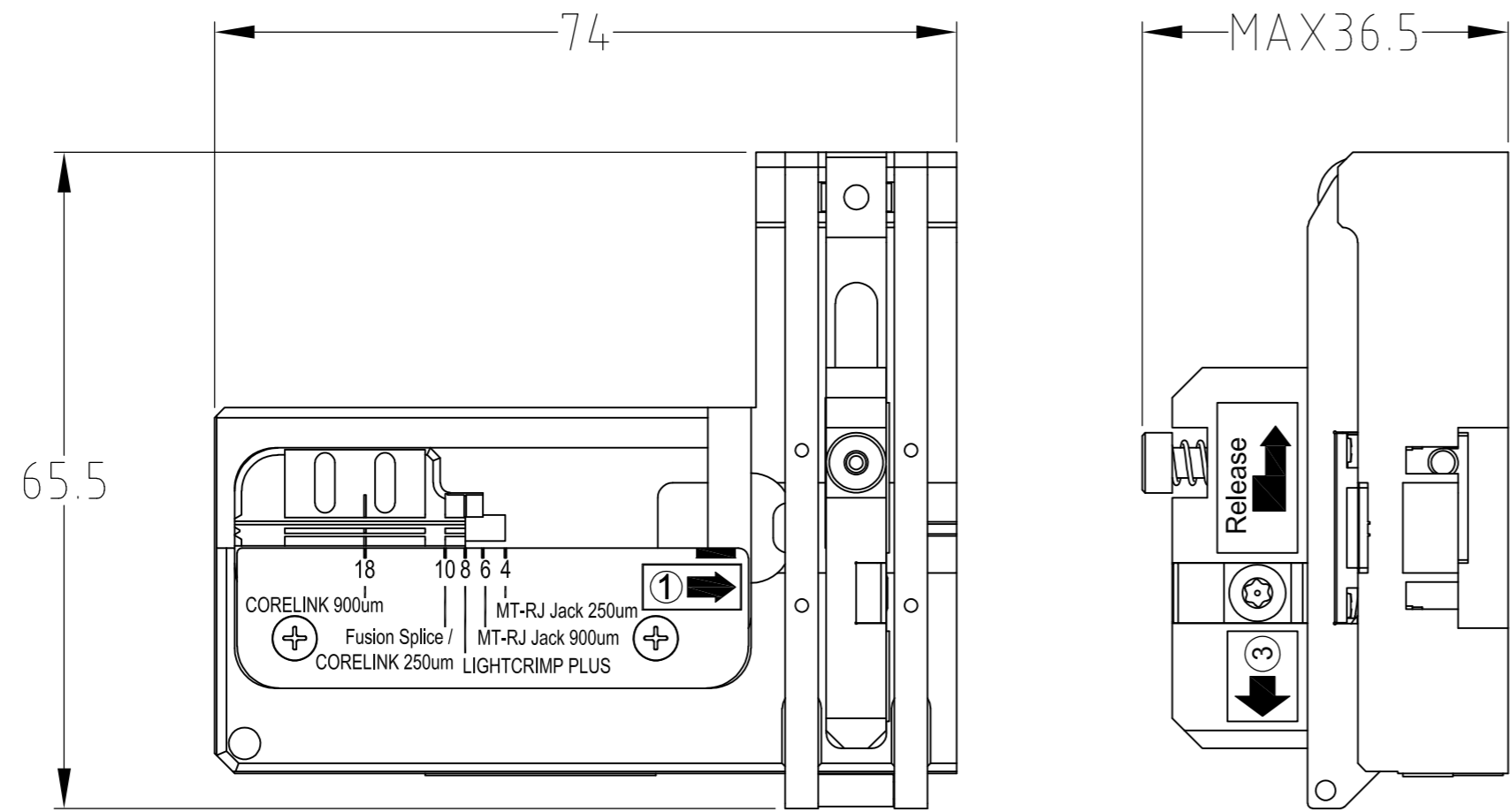
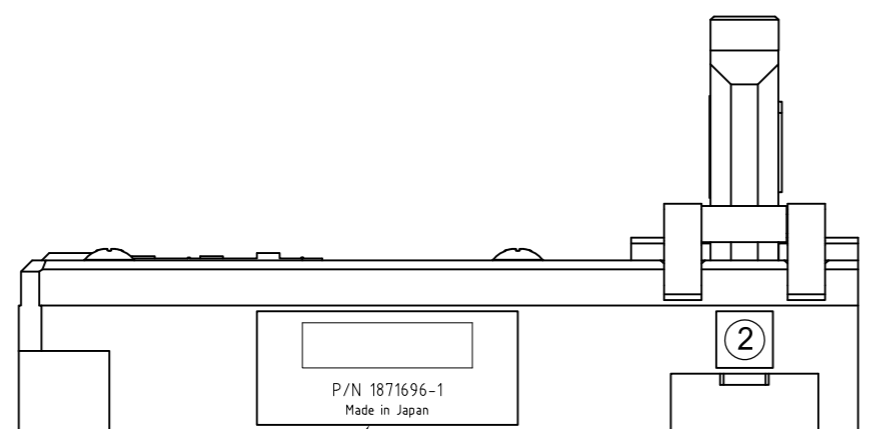


THIS DRAWING IS UNPUBLISHED. RELEASED FOR PUBLICATION JULY, 7 .
 © COPYRIGHT 2005 By - ALL RIGHTS RESERVED.

LOC	DIST	REVISIONS			
P	LTR	DESCRIPTION	DATE	DWN	APVD
J					
	C	REVISE ECR-06-022150	26SEP06	S.K	T.H
	D	REVISE ECR-07-005111	8MAR07	S.K	T.H
	E	REVISE ECR-11-018726	11SEP11	S.K	T.H



SHOWN: -1



LABEL

- 1. ATTACHED A FABRIC BAG AND A STRAP
- 2. WEIGHT OF -1: 152g

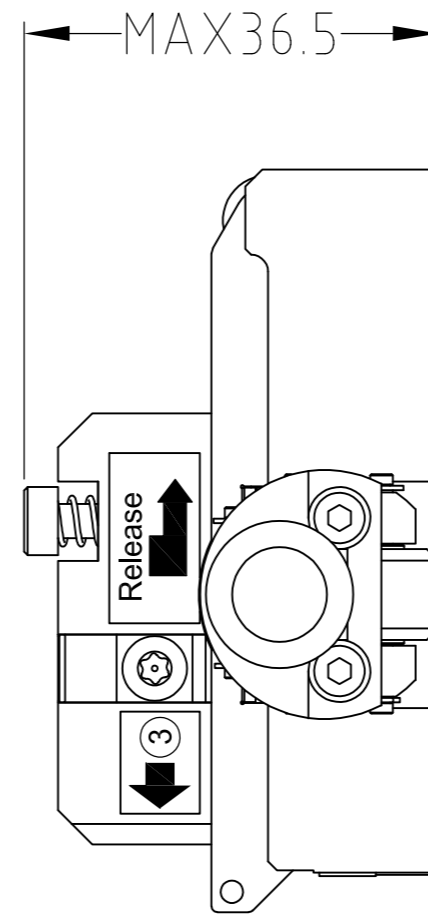
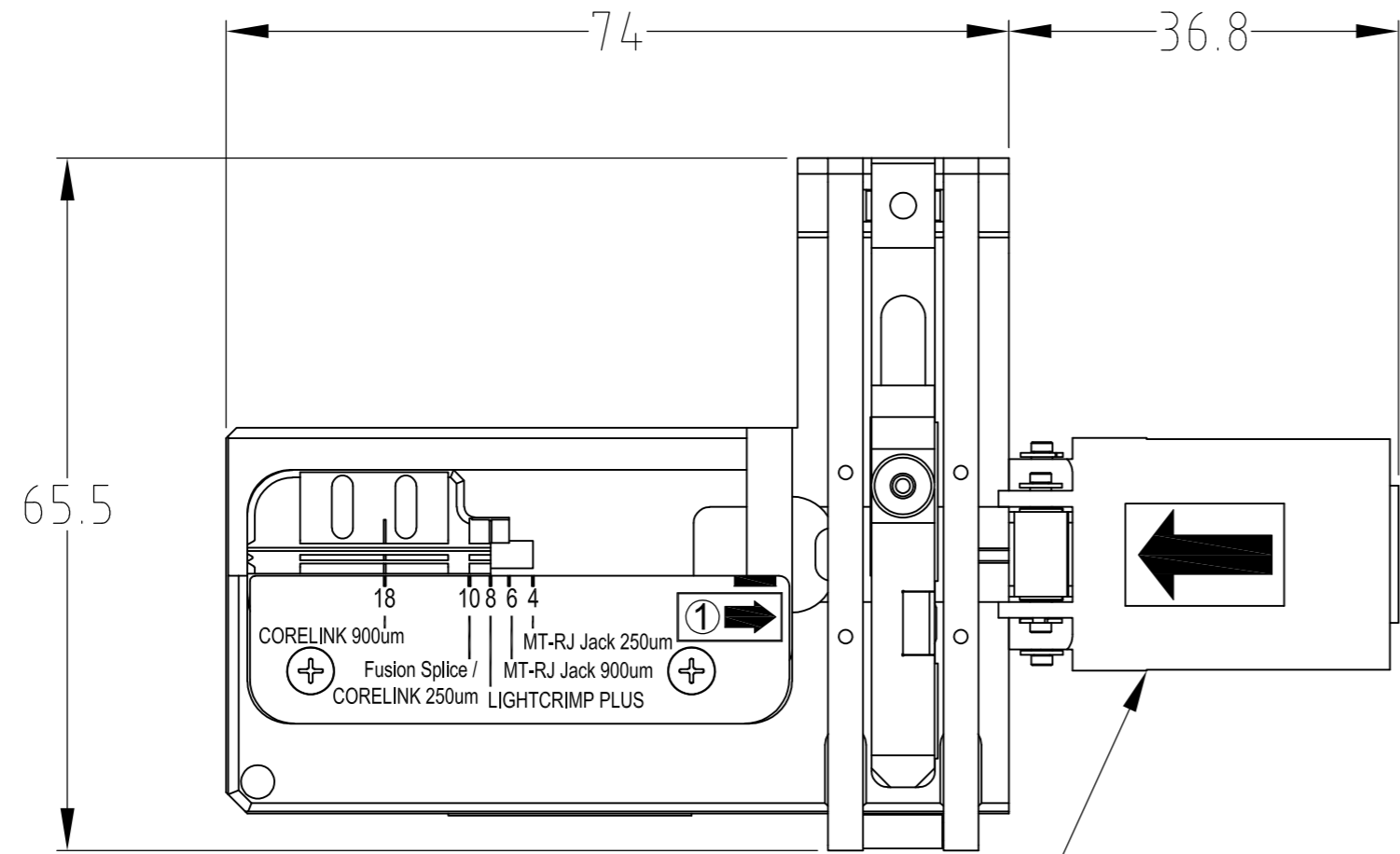
FIBER CLEAVER WITH JACKET HOLDER	1871696-5
FIBER CLEAVER, 8mm MARK	1871696-4
FIBER CLEAVER JACKETED CABLE	1871696-3
FIBER CLEAVER WITH FIBER SCRAP BOX	1871696-2
FIBER CLEAVER	1871696-1
DESCRIPTION	PART NO

THIS DRAWING IS A CONTROLLED DOCUMENT.		DWN	07JUL05	TE Connectivity	
DIMENSIONS: mm		CHK	07JUL05	NAME: FIBER CLEAVER	
TOLERANCES UNLESS OTHERWISE SPECIFIED:		APVD	07JUL05		
0 PLC ±		PRODUCT SPEC		SIZE	CAGE CODE
1 PLC ±		APPLICATION SPEC		A2	00779
2 PLC ±		WEIGHT		DRAWING NO: C=1871696	
3 PLC ±		FINISH		RESTRICTED TO	
4 PLC ±		CUSTOMER DRAWING		SCALE	NTS
ANGLES ±				SHEET	1 of 5
FINISH ±				REV	E

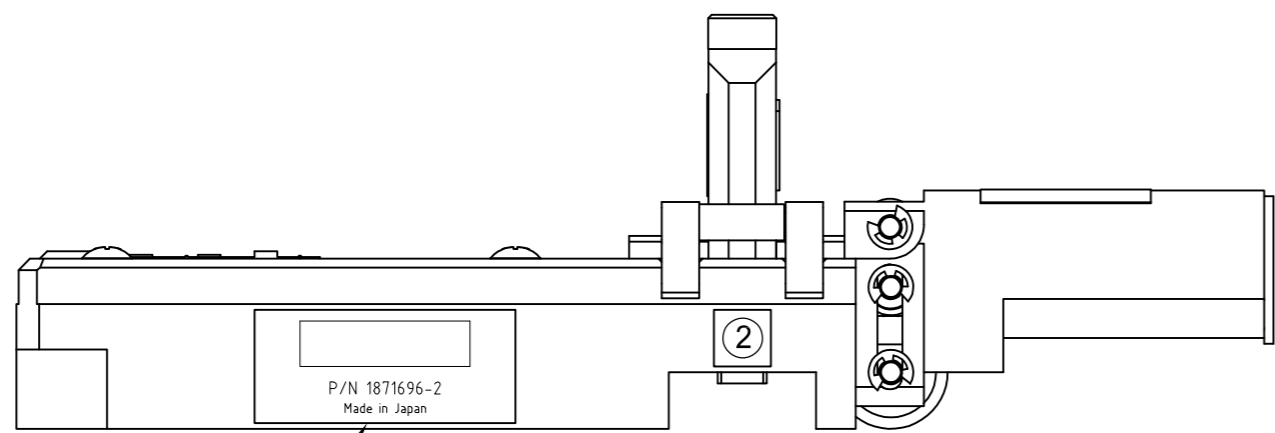
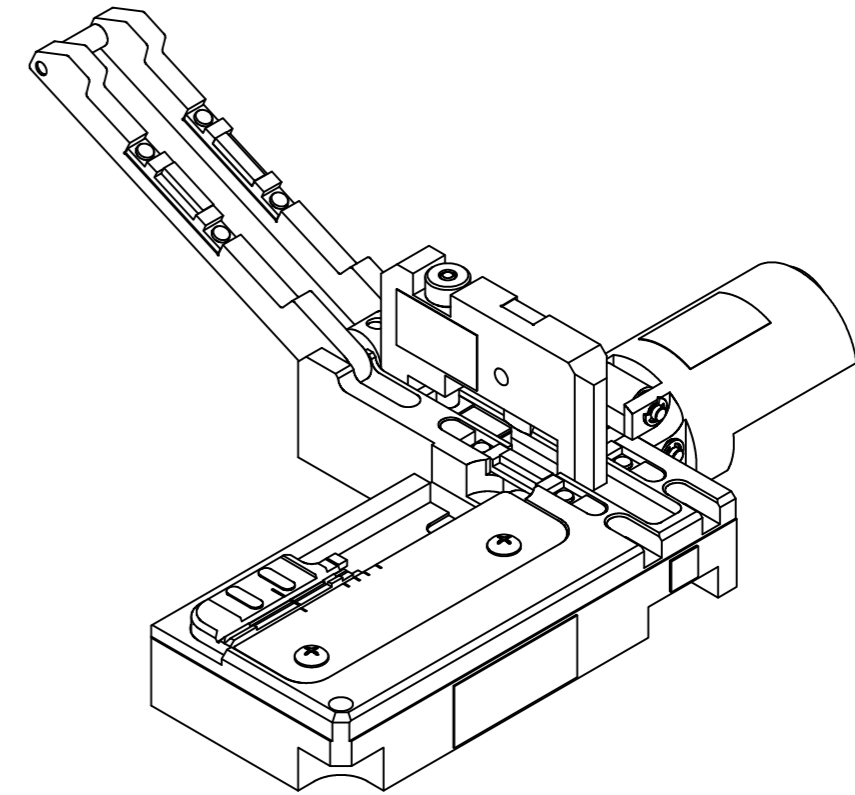
THIS DRAWING IS UNPUBLISHED. RELEASED FOR PUBLICATION JULY, 7 .
 © COPYRIGHT 2005 By - ALL RIGHTS RESERVED.

LOC	DIST	REVISIONS			
P	LTR	DESCRIPTION	DATE	DWN	APVD
J		SEE SHEET 1			

SHOWN: -2



FIBER SCRAP BOX



LABEL

1871696

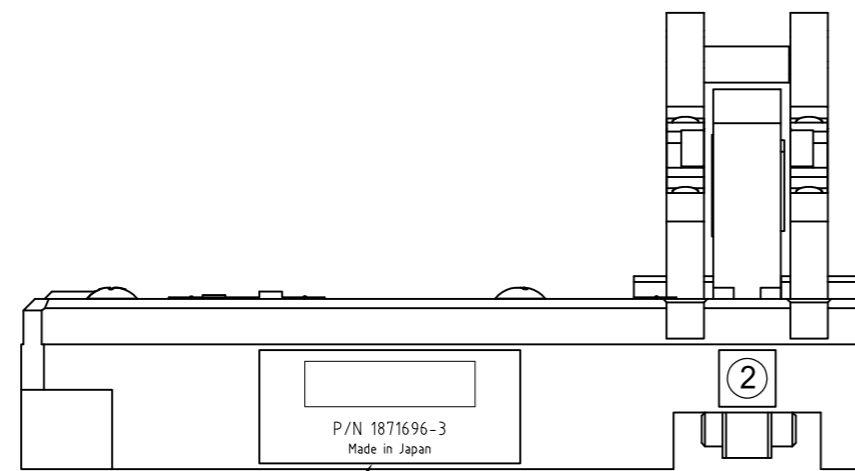
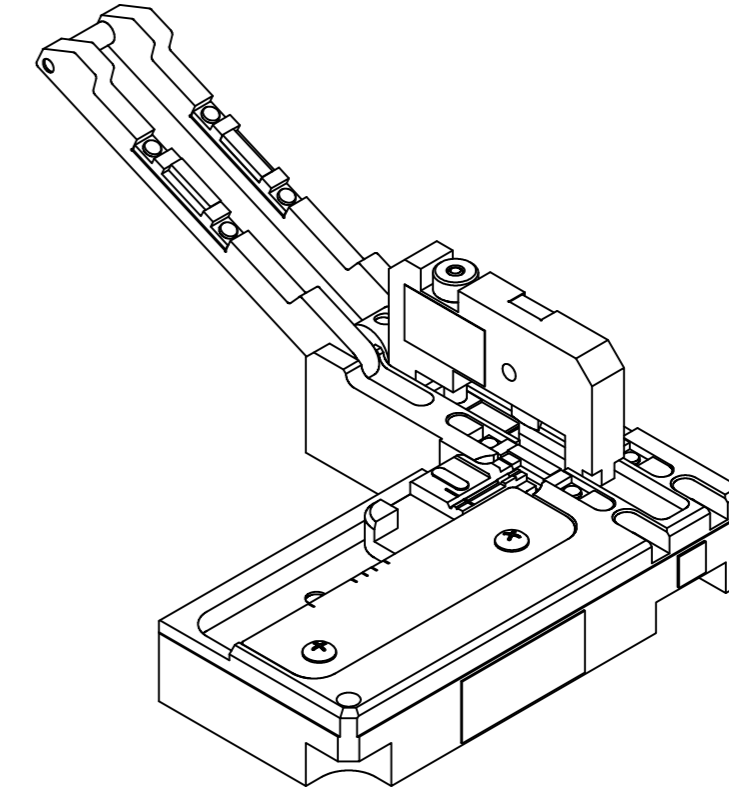
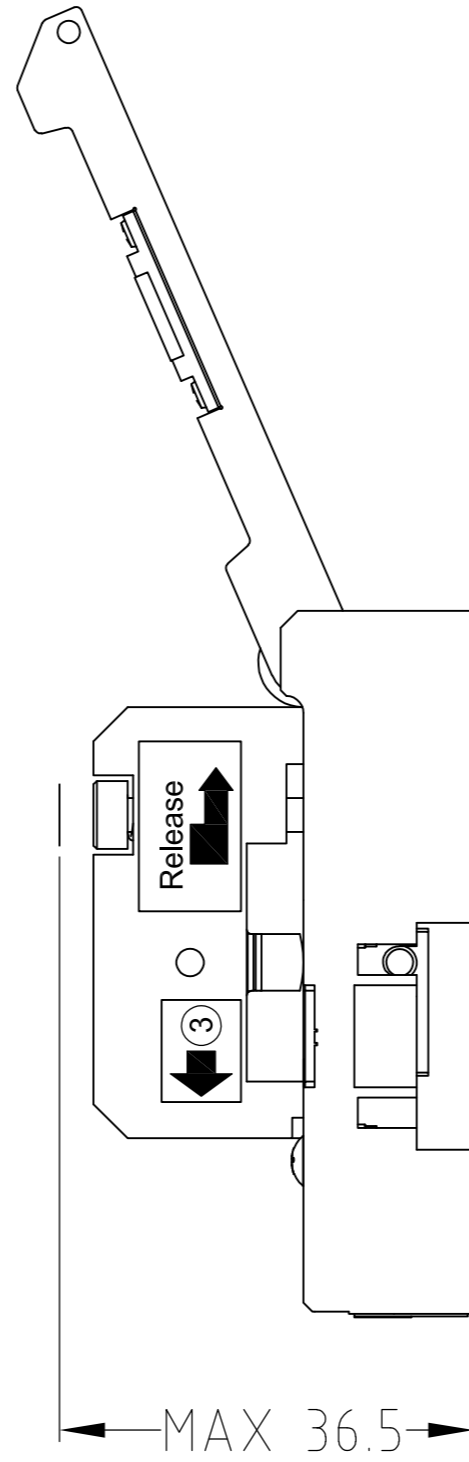
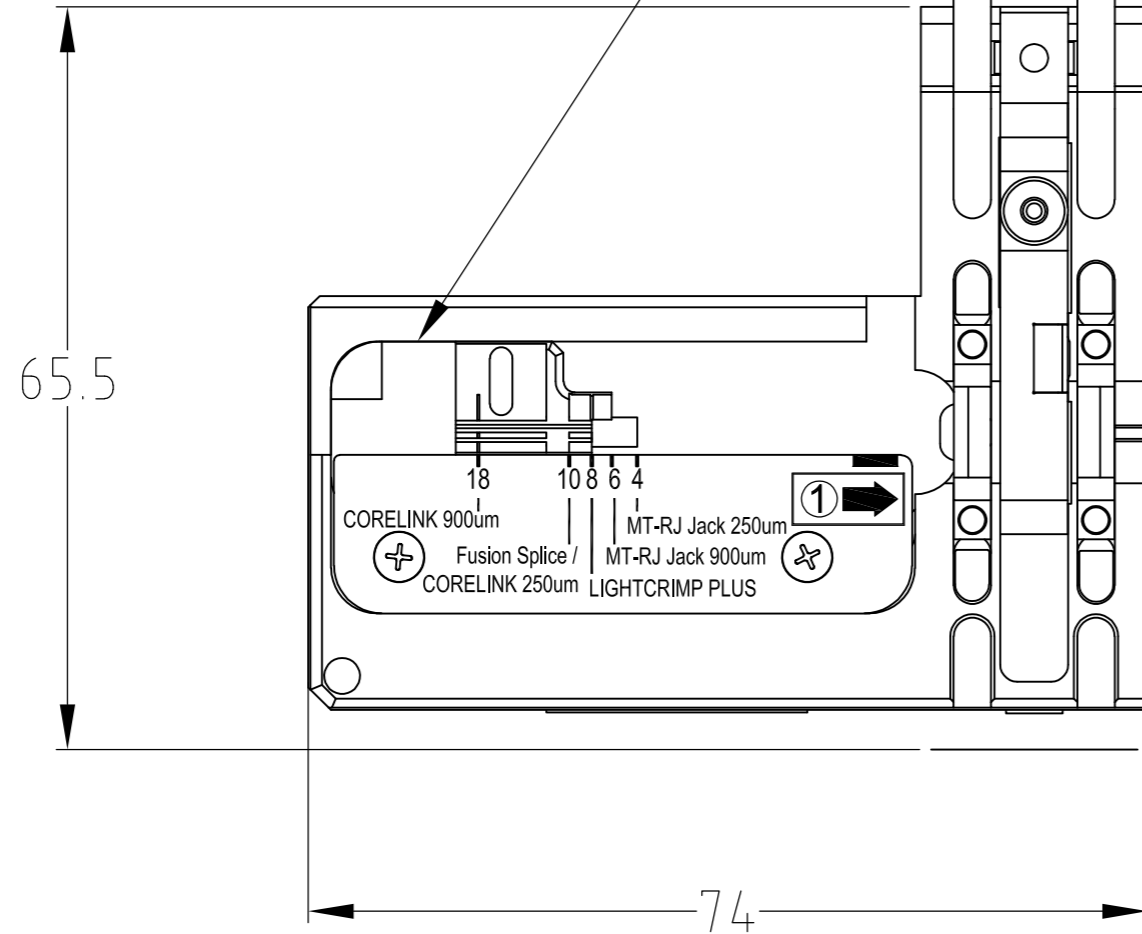
THIS DRAWING IS A CONTROLLED DOCUMENT.		DWN S.KOBAYASHI 07JUL05	TE TE Connectivity	
DIMENSIONS: mm		CHK T.HAYASHI 07JUL05		
TOLERANCES UNLESS OTHERWISE SPECIFIED		APVD T.HAYASHI 07JUL05	NAME FIBER CLEAVER	
0 PLC ±		PRODUCT SPEC	SIZE A2	
1 PLC ±		APPLICATION SPEC	CAGE CODE 00779	DRAWING NO C=1871696
2 PLC ±		WEIGHT	RESTRICTED TO	
3 PLC ±		FINISH	SCALE NTS	SHEET 2 of 5
4 PLC ±		CUSTOMER DRAWING	REV E	
ANGLES ±				

THIS DRAWING IS UNPUBLISHED. RELEASED FOR PUBLICATION JULY, 7 .
 © COPYRIGHT 2005 By - ALL RIGHTS RESERVED.

LOC	DIST	REVISIONS			
P	LTR	DESCRIPTION	DATE	DWN	APVD
J		SEE SHEET 1			

SHOWN: -3

FIBER CART FOR JACKETED CABLE



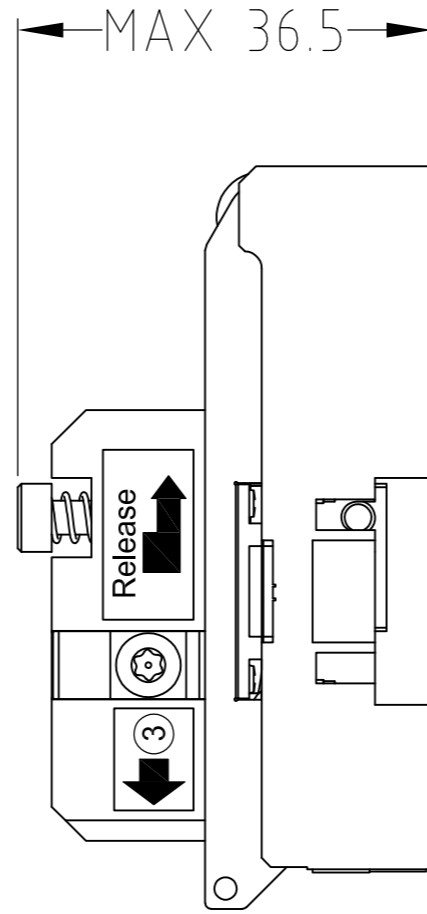
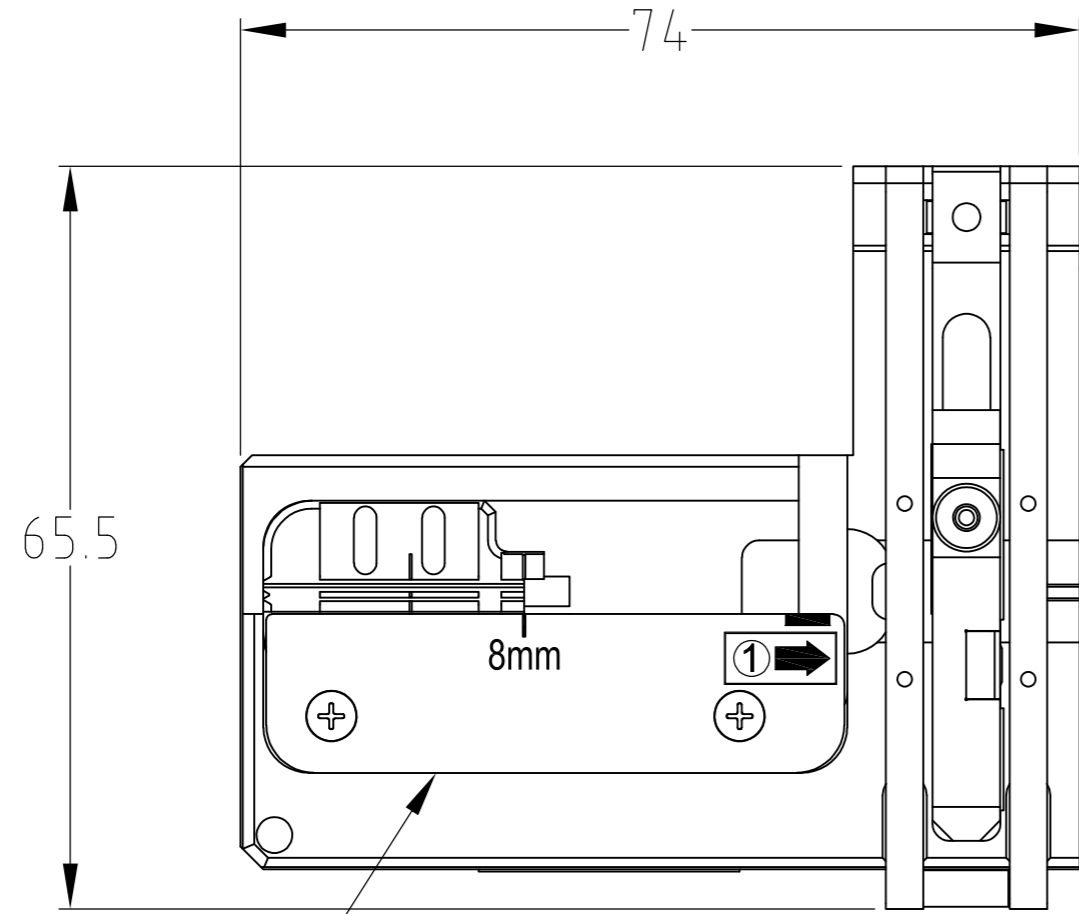
LABEL

THIS DRAWING IS A CONTROLLED DOCUMENT.		DWN S.KOBAYASHI 07JUL05	TE TE Connectivity	
DIMENSIONS: mm		CHK T.HAYASHI 07JUL05		
TOLERANCES UNLESS OTHERWISE SPECIFIED		APVD T.HAYASHI 07JUL05	NAME FIBER CLEAVER	
0 PLC ±		PRODUCT SPEC	SIZE A2	
1 PLC ±		APPLICATION SPEC	CAGE CODE 00779	DRAWING NO C-1871696
2 PLC ±		WEIGHT	RESTRICTED TO	
3 PLC ±		FINISH	SCALE NTS	SHEET 3 OF 5
4 PLC ±			REV E	
ANGLES ±				
CUSTOMER DRAWING				

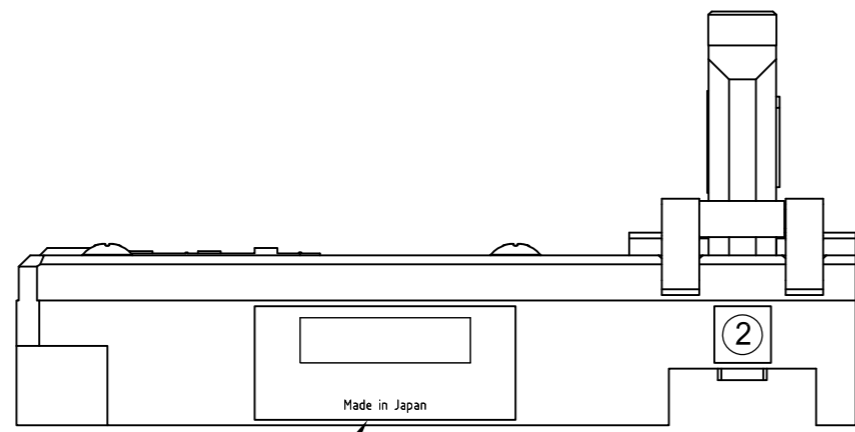
THIS DRAWING IS UNPUBLISHED. RELEASED FOR PUBLICATION JULY, 7 .
 © COPYRIGHT 2005 By - ALL RIGHTS RESERVED.

LOC		DIST		REVISIONS			
P	LTR	DESCRIPTION	DATE	DWN	APVD		
		SEE SHEET 1					

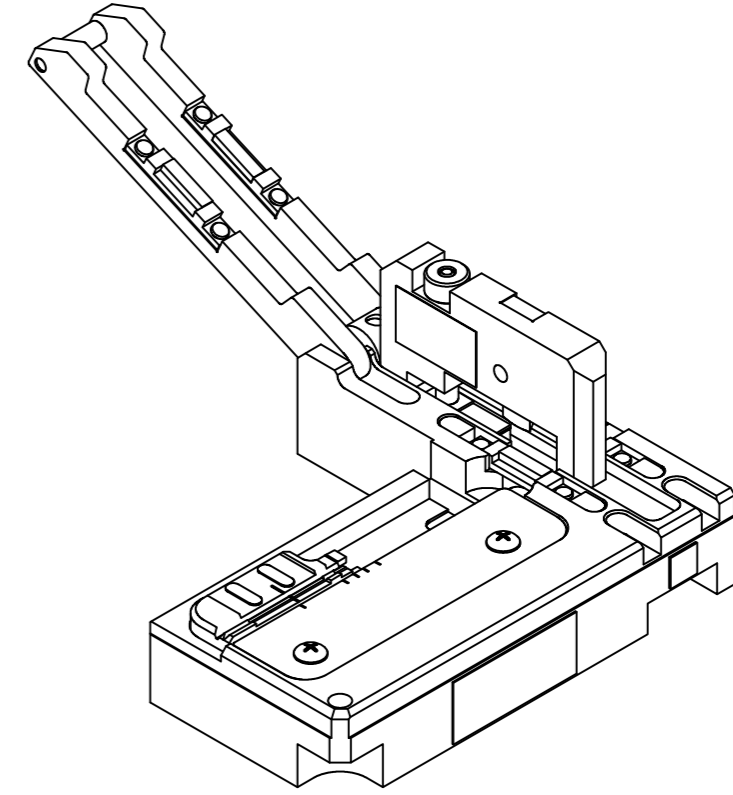
SHOWN: -4



8mm MARK SCALE PLATE



LABEL

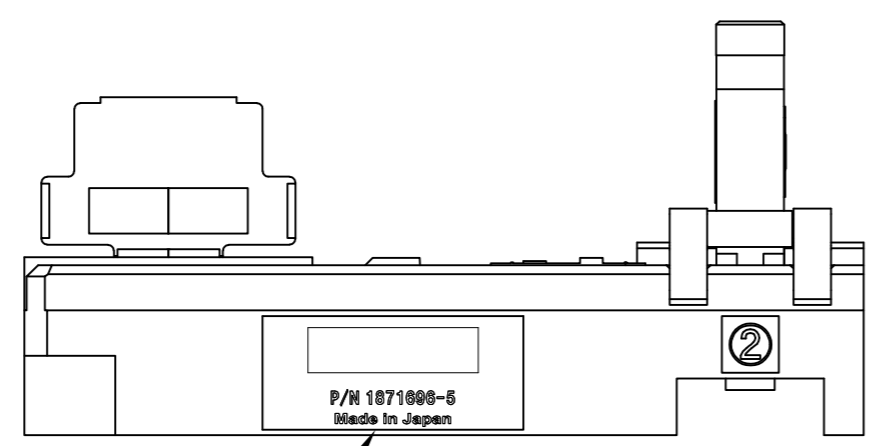
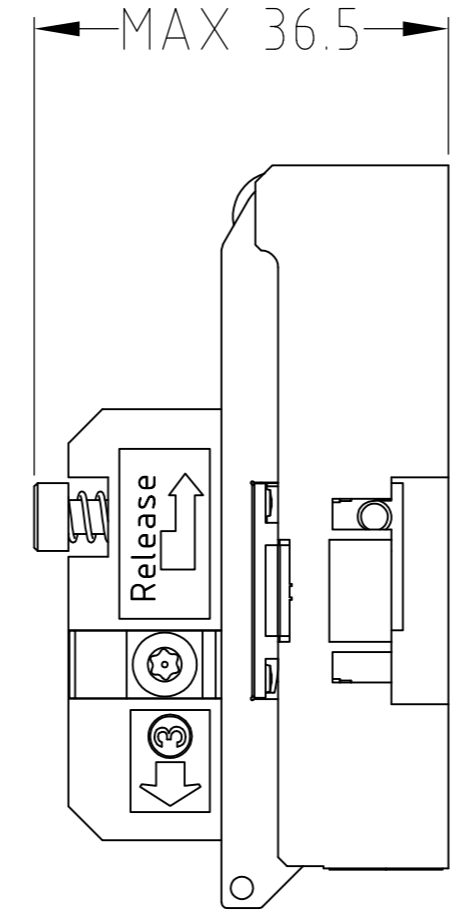
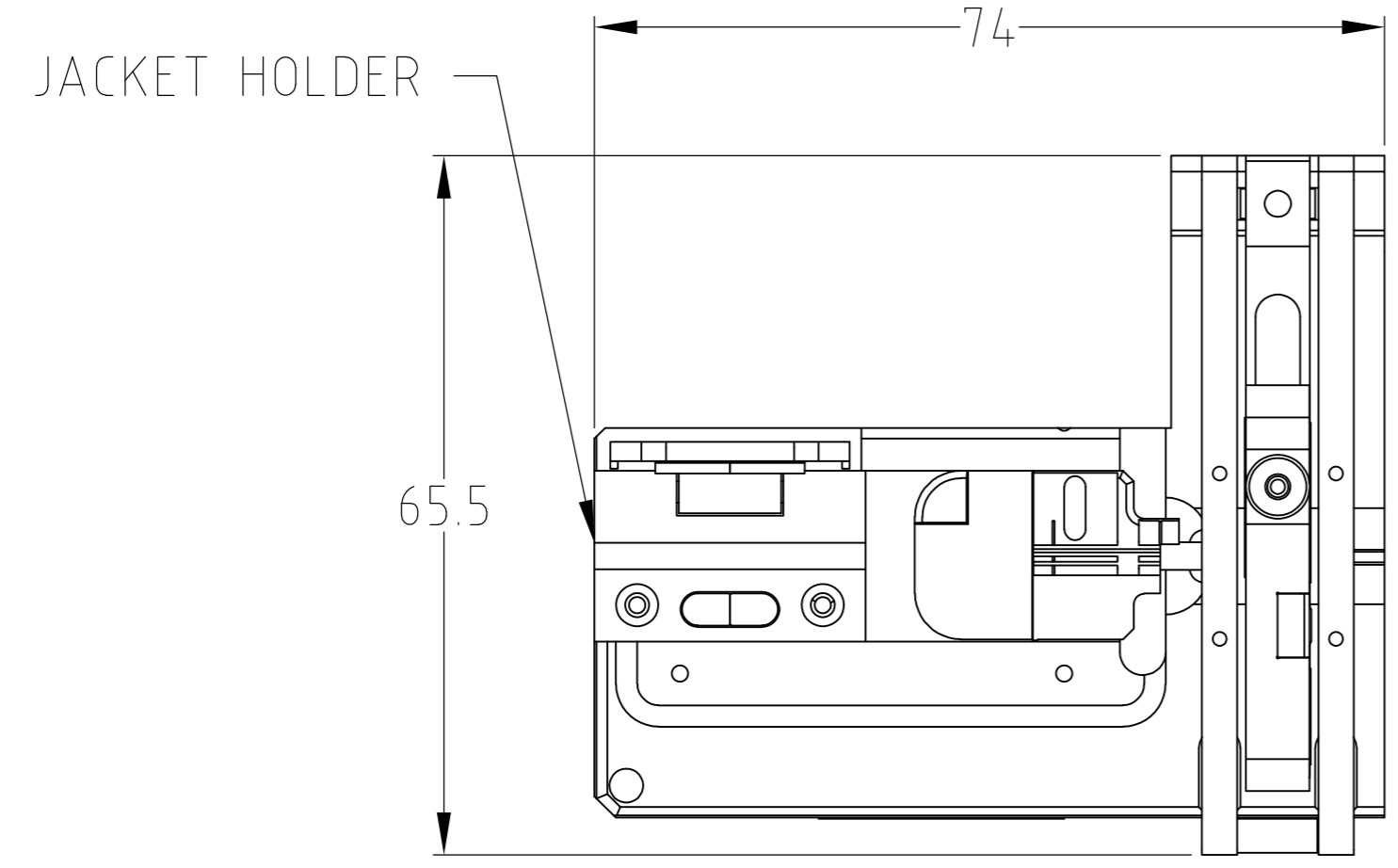


THIS DRAWING IS A CONTROLLED DOCUMENT.		DWN	S.KOBAYASHI	07JUL05	TE TE Connectivity		
DIMENSIONS: mm		CHK	T.HAYASHI	07JUL05			
TOLERANCES UNLESS OTHERWISE SPECIFIED:		APVD	T.HAYASHI	07JUL05	NAME		
0 PLC ±		PRODUCT SPEC		FIBER CLEAVER			
1 PLC ±		APPLICATION SPEC		SIZE	CAGE CODE	DRAWING NO	RESTRICTED TO
2 PLC ±		WEIGHT		A2	00779	C=1871696	
3 PLC ±		CUSTOMER DRAWING		SCALE	NTS	SHEET	4 OF 5
4 PLC ±						REV	E
ANGLES ±							
FINISH							

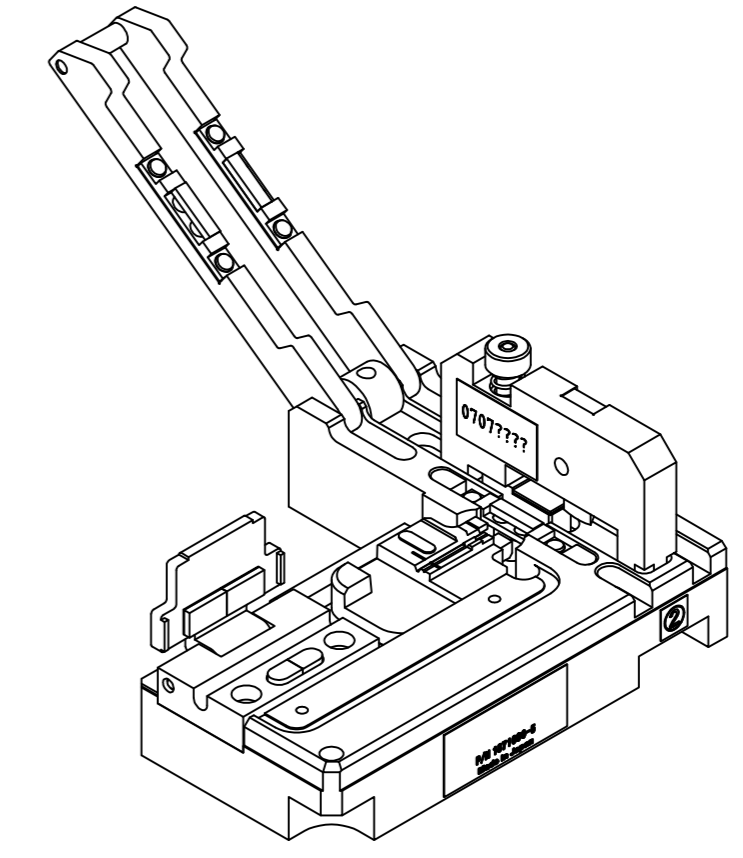
THIS DRAWING IS UNPUBLISHED. RELEASED FOR PUBLICATION JULY .7 .
 © COPYRIGHT 2005 By - ALL RIGHTS RESERVED.

LOC	DIST	REVISIONS			
P	LTR	DESCRIPTION	DATE	DWN	APVD
J		SEE SHEET 1			

SHOWN: -5



LABEL



THIS DRAWING IS A CONTROLLED DOCUMENT.		DWN S.KOBAYASHI 07JUL05	TE TE Connectivity	
DIMENSIONS: mm		CHK T.HAYASHI 07JUL05		
TOLERANCES UNLESS OTHERWISE SPECIFIED:		APVD T.HAYASHI 07JUL05	NAME FIBER CLEAVER	
0 PLC ±	1 PLC ±	PRODUCT SPEC	SIZE A2	CAGE CODE 00779
2 PLC ±	3 PLC ±	APPLICATION SPEC	DRAWING NO C=1871696	RESTRICTED TO
4 PLC ±	ANGLES ±	WEIGHT	SCALE NTS	SHEET 5 OF 5
MATERIAL	FINISH	CUSTOMER DRAWING	REV E	