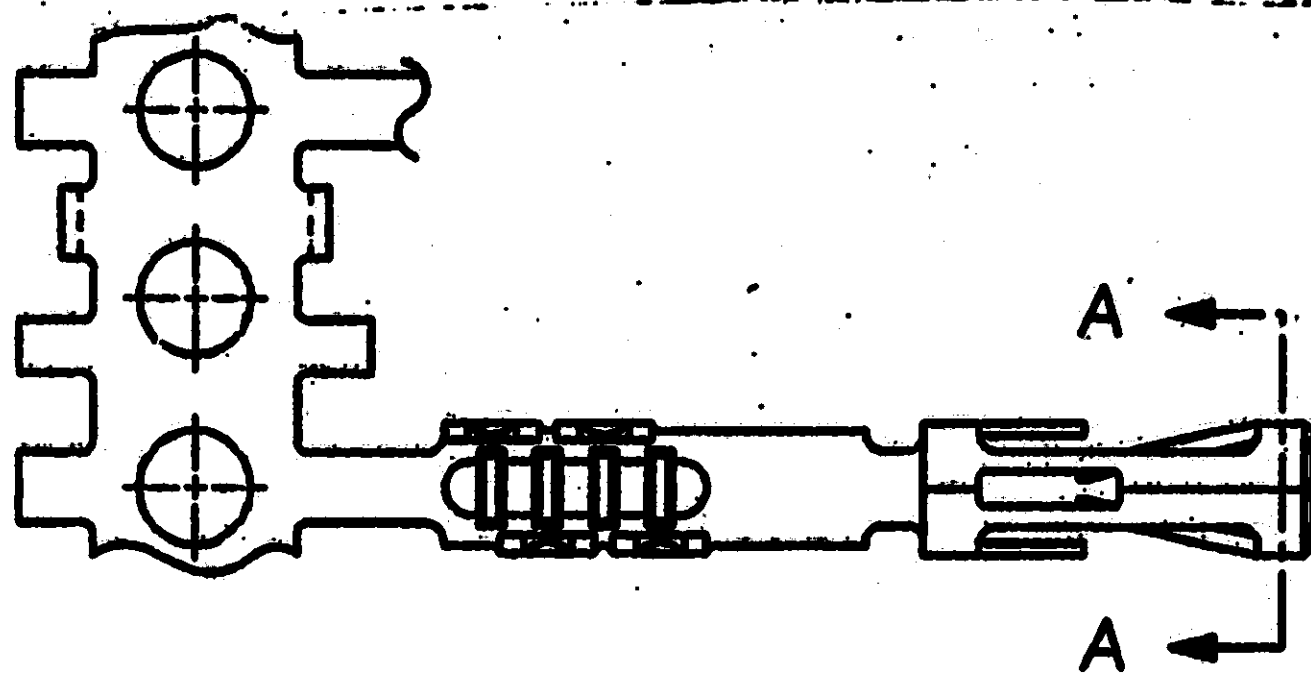
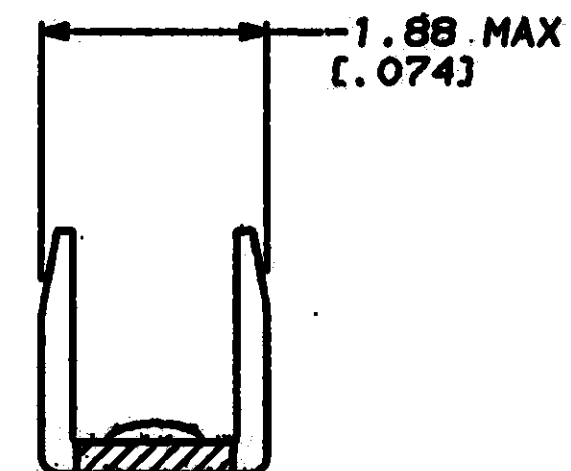
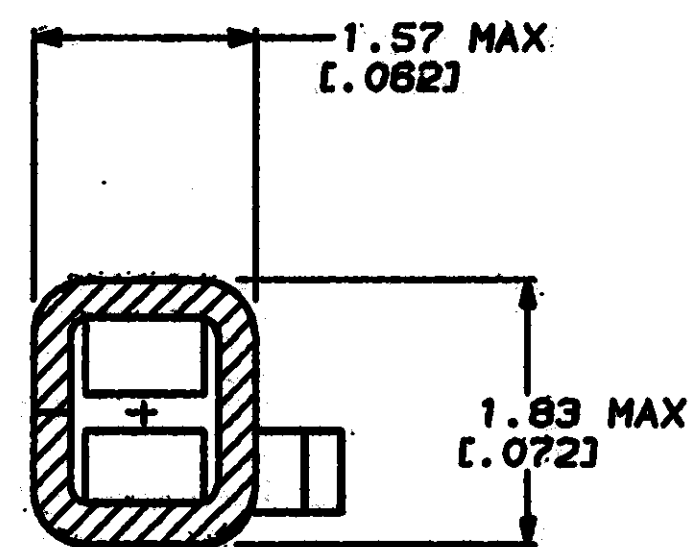
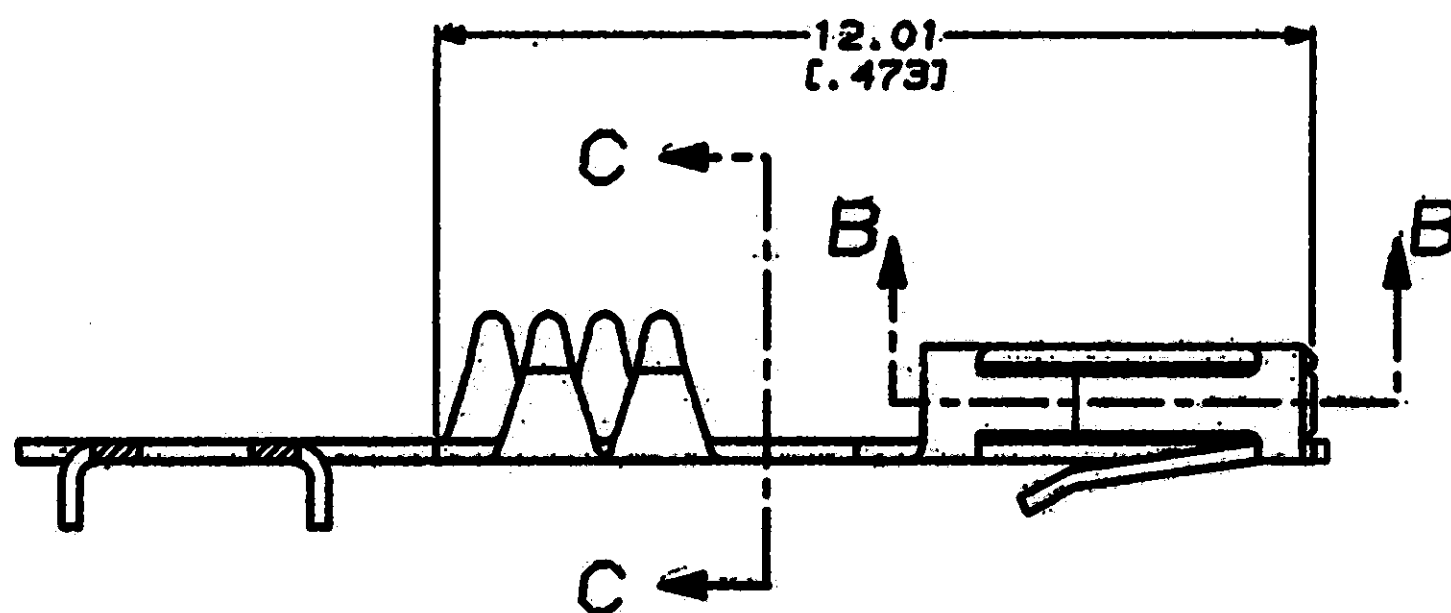


REVISED		DATE		BY		DESCRIPTION		DATE	APPD
AR	39					0	RLSE PER NPR 4098 WAS 4021-5175		

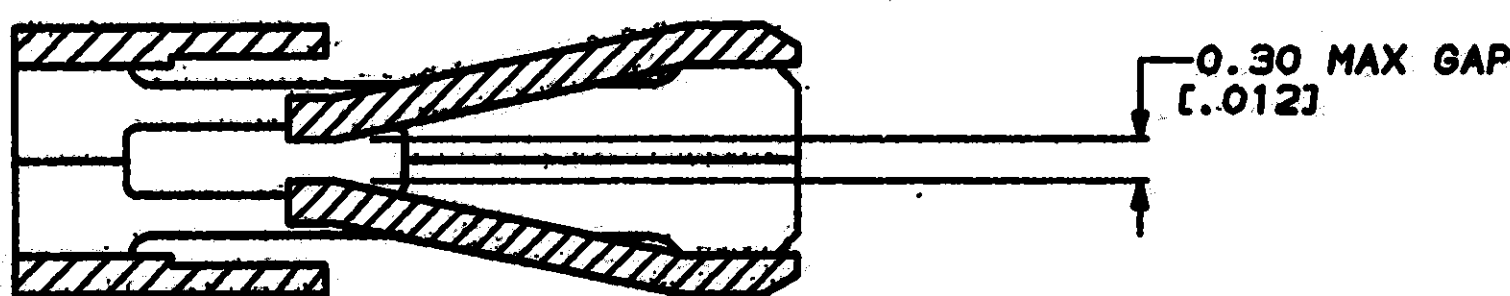


- 1. 2.54µm (.000100) MIN TIN-LEAD OVER 1.27µm (.000050) MIN NICKEL ON ENTIRE CONTACT.
- 2. MATING POST (.025±.001 SQUARE) LENGTH ACCEPTED:  
SINGLE ROW HOUSINGS 5.59-8.20 (.220-.323)  
DOUBLE ROW HOUSINGS 5.97-8.20 (.235-.323)



SECTION A-A  
SCALE 20:1

SECTION C-C  
SCALE 20:1



SECTION B-B  
SCALE 20:1

DO NOT SCALE PRINT. UNLESS SPECIFIED DIMENSIONS IN mm (INCHES) TOLERANCES ON: 2 PLC DEC ± 0.13 (.005) 3 PLC DEC * - ANGLES * -		DR 04/08/82 C. OBERMAN		487955-2 PART NO	
CHK 4-7-82 R. STONE		APPD 4-7-82 D. MILLER		AMP AMP Incorporated Harrisburg, PA 17105-3808	
APPD 4-7-82 D. HOFFMAN		PRODUCT SPEC 108-9024			
MATERIAL .010 THICK PHOSPHOR BRONZE		APPLICATION SPEC 114-16015		NAME: CONTACT, RECEPTACLE, STANDARD PRESSURE, .100¢, FFC	
FINISH △		WEIGHT	SIZE C	CAGE CODE 00779	DRAWING NO. 487955
			SCALE 10:1		SHEET 1 OF 1