

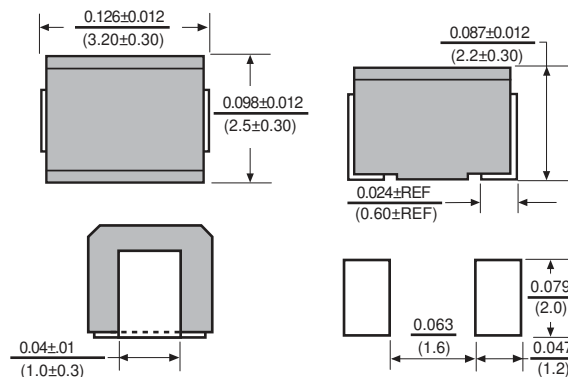


## Molded Chip Inductors

## MC20



Dimensions: Inches  
(mm)



| Allied Part Number | Inductance (±h) | Tolerance (%) | Q Min. | Test Freq. (MHz) | SRF Min. (MHz) | DCR Max. (Ω) | IDC (mA) |
|--------------------|-----------------|---------------|--------|------------------|----------------|--------------|----------|
| MC20-R12K-RC       | .12             | 10            | 30     | 25.2             | 500            | 0.22         | 450      |
| MC20-R15K-RC       | .15             | 10            | 30     | 25.2             | 450            | 0.25         | 450      |
| MC20-R18K-RC       | .18             | 10            | 30     | 25.2             | 400            | 0.28         | 450      |
| MC20-R22K-RC       | .22             | 10            | 30     | 25.2             | 350            | 0.32         | 450      |
| MC20-R27K-RC       | .27             | 10            | 30     | 25.2             | 320            | 0.36         | 450      |
| MC20-R33K-RC       | .33             | 10            | 30     | 25.2             | 300            | 0.40         | 450      |
| MC20-R39K-RC       | .39             | 10            | 30     | 25.2             | 250            | 0.45         | 450      |
| MC20-R47K-RC       | .47             | 10            | 30     | 25.2             | 220            | 0.50         | 450      |
| MC20-R56K-RC       | .56             | 10            | 30     | 25.2             | 180            | 0.55         | 450      |
| MC20-R68K-RC       | .68             | 10            | 30     | 25.2             | 160            | 0.60         | 450      |
| MC20-R82K-RC       | .82             | 10            | 30     | 25.2             | 140            | 0.65         | 450      |
| MC20-1R0K-RC       | 1.0             | 10            | 30     | 7.96             | 120            | 0.70         | 400      |
| MC20-1R2K-RC       | 1.2             | 10            | 30     | 7.96             | 100            | 0.75         | 390      |
| MC20-1R5K-RC       | 1.5             | 10            | 30     | 7.96             | 85             | 0.85         | 370      |
| MC20-1R8K-RC       | 1.8             | 10            | 30     | 7.96             | 80             | 0.90         | 350      |
| MC20-2R2K-RC       | 2.2             | 10            | 30     | 7.96             | 75             | 1.0          | 320      |
| MC20-2R7K-RC       | 2.7             | 10            | 30     | 7.96             | 70             | 1.1          | 290      |
| MC20-3R3K-RC       | 3.3             | 10            | 30     | 7.96             | 60             | 1.2          | 260      |
| MC20-3R9K-RC       | 3.9             | 10            | 30     | 7.96             | 55             | 1.3          | 250      |
| MC20-4R7K-RC       | 4.7             | 10            | 30     | 7.96             | 50             | 1.5          | 220      |
| MC20-5R6K-RC       | 5.6             | 10            | 30     | 7.96             | 45             | 1.6          | 200      |
| MC20-6R8K-RC       | 6.8             | 10            | 30     | 7.96             | 40             | 1.8          | 180      |
| MC20-8R2K-RC       | 8.2             | 10            | 30     | 7.96             | 35             | 2.0          | 170      |
| MC20-100K-RC       | 10              | 10            | 30     | 2.52             | 30             | 2.1          | 150      |
| MC20-120K-RC       | 12              | 10            | 30     | 2.52             | 20             | 2.5          | 140      |
| MC20-150K-RC       | 15              | 10            | 30     | 2.52             | 20             | 2.8          | 130      |
| MC20-180K-RC       | 18              | 10            | 30     | 2.52             | 20             | 3.3          | 120      |
| MC20-220K-RC       | 22              | 10            | 30     | 2.52             | 20             | 3.7          | 110      |
| MC20-270K-RC       | 27              | 10            | 30     | 2.52             | 20             | 5.0          | 80       |
| MC20-330K-RC       | 33              | 10            | 30     | 2.52             | 17             | 5.6          | 70       |
| MC20-390K-RC       | 39              | 10            | 30     | 2.52             | 16             | 6.4          | 65       |
| MC20-470K-RC       | 47              | 10            | 30     | 2.52             | 15             | 7.0          | 60       |
| MC20-560K-RC       | 56              | 10            | 30     | 2.52             | 13             | 8.0          | 55       |
| MC20-680K-RC       | 68              | 10            | 30     | 2.52             | 12             | 9.0          | 50       |
| MC20-820K-RC       | 82              | 10            | 30     | 2.52             | 11             | 10           | 45       |
| MC20-101K-RC       | 100             | 10            | 20     | .796             | 10             | 11           | 40       |
| MC20-121K-RC       | 120             | 10            | 20     | .796             | 10             | 11           | 70       |
| MC20-151K-RC       | 150             | 10            | 20     | .796             | 8              | 15           | 65       |

Available in tighter tolerances.  
All specifications subject to change without notice.

**Features**

- 1210 Molded Chip Inductor
- Excellent Solder Heat Resistance
- Terminals have high resistance to pull forces

**Electrical**

**Inductance Range:** .12μh ~ 150μh

**Tolerance:** 10% over entire range  
Also available in 5%

**Test Frequency:**

.12μh ~ .82μh measured at 25.2Mhz,  
1μh ~ 8.2μh measured at 7.96Mhz,  
10μh ~ 82μh measured at 2.52Mhz,  
100μh ~ 150μh measured at .796Mhz,

**Operating Temp:** -40°C ~ +125°C

**IDC:** The current at which inductance will drop no more than 10% of it's original value.

**Resistance to Soldering Heat**

Pre-heating: 150°C, 1min

Solder Composition: Sn/Ag 3.0/Cu 0.5

Solder Temperature: 245 ± 5°C

Immersion Time: 4 ± 1 sec, with no damage

**Physical**

**Packaging:** 2000 pieces per 7 inch reel.

**Marking:** EIA Inductance code