

PROT-M12 FS-M VA - Sealing cap



1009104

<https://www.phoenixcontact.com/us/products/1009104>

Please be informed that the data shown in this PDF document is generated from our online catalog. Please find the complete data in the user documentation. Our general terms of use for downloads are valid.



M12 metal sealing cap for unoccupied M12 plugs of the sensor/actuator cable, flush-type plugs and I/O devices in the field

Commercial data

Item number	1009104
Packing unit	1 pc
Minimum order quantity	500 pc
Note	Made to order (non-returnable)
Sales key	AB28
Product key	ABQZAC
GTIN	4055626480596
Weight per piece (including packing)	9.19 g
Weight per piece (excluding packing)	9.19 g
Customs tariff number	73181900
Country of origin	DE

PROT-M12 FS-M VA - Sealing cap



1009104

<https://www.phoenixcontact.com/us/products/1009104>

Technical data

Product properties

Product type	Protective cap
Thread type	M12

Material specifications

Material	V4A
Seal material	NBR

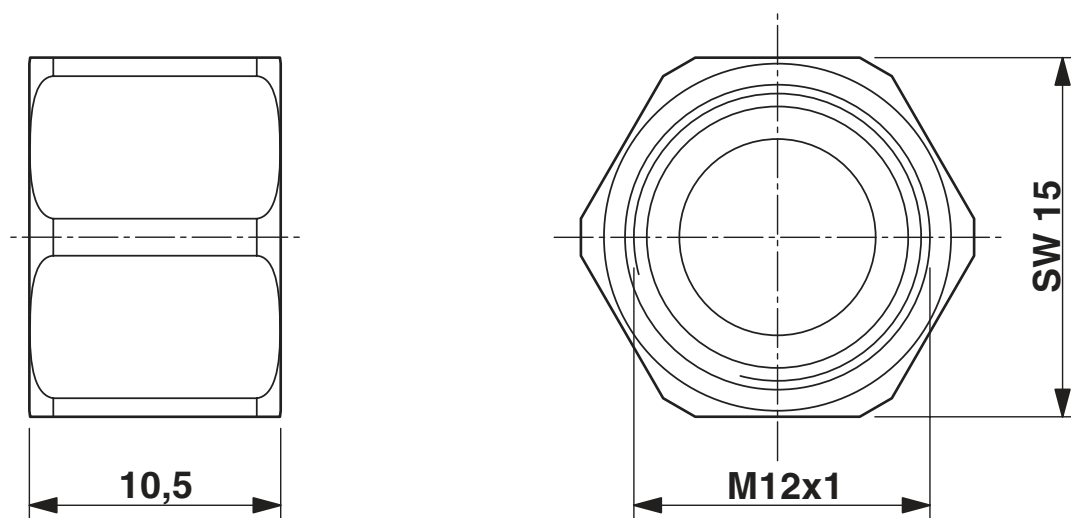
PROT-M12 FS-M VA - Sealing cap

1009104

<https://www.phoenixcontact.com/us/products/1009104>

Drawings

Dimensional drawing



PROT-M12 FS-M VA - Sealing cap



1009104

<https://www.phoenixcontact.com/us/products/1009104>

Classifications

ECLASS

ECLASS-11.0	27440208
ECLASS-12.0	27440208
ECLASS-13.0	27440208

ETIM

ETIM 8.0	EC000032
----------	----------

UNSPSC

UNSPSC 21.0	31261500
-------------	----------

PROT-M12 FS-M VA - Sealing cap



1009104

<https://www.phoenixcontact.com/us/products/1009104>

Environmental product compliance

China RoHS	Environmentally friendly use period: unlimited = EFUP-e
	No hazardous substances above threshold values

Phoenix Contact 2023 © - all rights reserved
<https://www.phoenixcontact.com>

Phoenix Contact USA
586 Fulling Mill Road
Middletown, PA 17057, United States
(+717) 944-1300
info@phoenixcon.com