

Flyback Transformer

AEE25-4019



- EE25 form factor
- Designed for use with Power Integrations tiny switch-111, TNY278, RDR-91 12V, 1A

Primary Electrical Specifications @ 25°C				
S - F	INDUCTANCE F=100KHZ,4Vrms, 25°C	LEAKAGE INDUCTANCE F= HZ, VRMS, 25°C	DCR 25°C (Max)	TURN RATIO
3 - 1	1050uH ± 10%	50uH Max	0.9 Ohm	56Ts
4 - 2			50 mOhm	6Ts
2 - 5			50 mOhm	6Ts

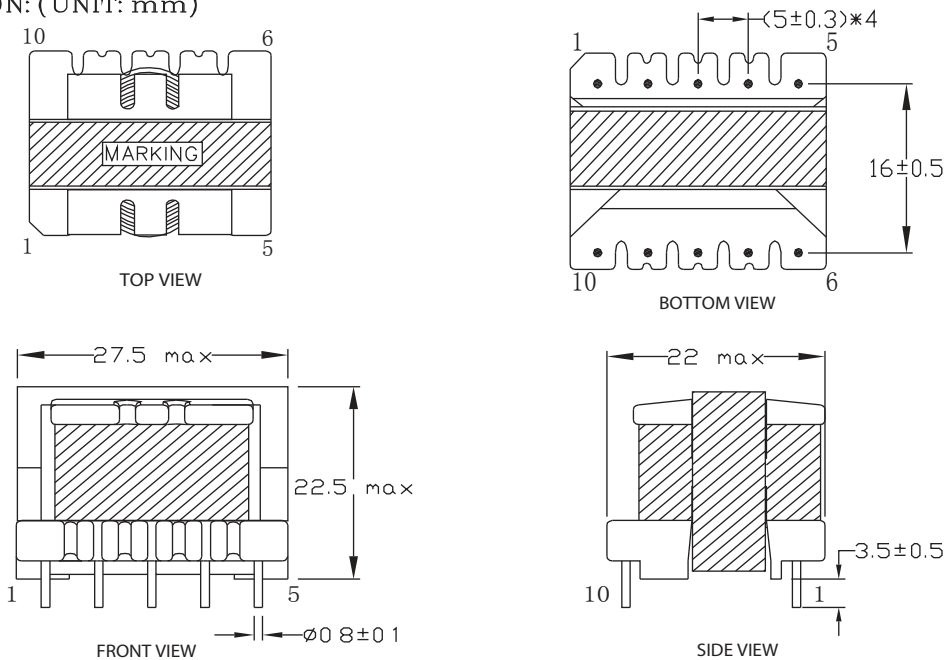
Secondary Electrical Specifications @ 25°C				
S - F	INDUCTANCE F= KHZ, 1VRMS, 25°C	LEAKAGE INDUCTANCE F=10KHZ, 1VRMS, 25°C (SHORT 6,9 PINS)	DCR 25°C (Max)	TURN RATIO
8 - 6			100mOhm	7Ts

Hi - Pot / Insulation Resistance					
LOCAT. \ DESC.	PRI-PRI	PRI-SEC	PRI - CORE	SEC-CORE	
HI-POT (50Hz/60Hz)	-	3000Vac 5mA, 2 sec	1000Vac 5mA, 2 sec	1000Vac 5mA, 2 sec	
INSULATION RESISTANCE	-	500Vdc 100, MOhm min	500VAC 100, MOhm min	500Vdc 100, MOhm min	

All specifications subject to change without notice.

MECHANICAL

DIMENSION: (UNIT: mm)



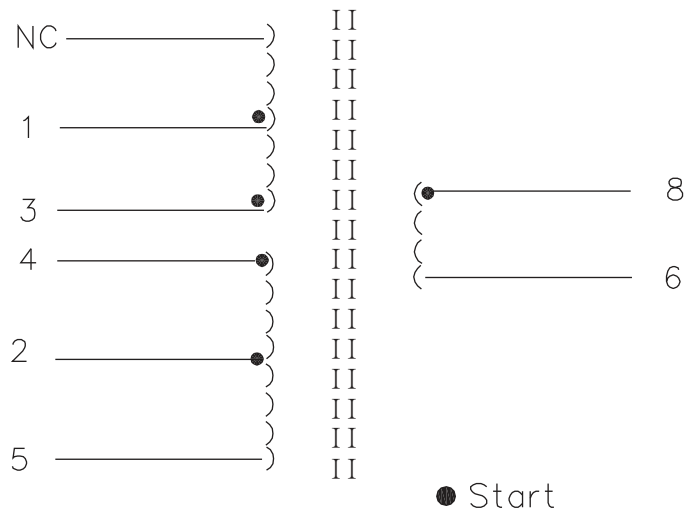
MARKING:



WEEK  
YEAR



SCHEMATICS



WINDING SUMMARY

WINDING ORDER		S - F	WIRE SIZE	TURNS	MARGIN TAPE	INSULATION TAPE	REMARK
#1	N1	1 - NC	∅0.25*2P(2UEW)	14Ts	PIN: 2mm	1 LAYER	1 WIRE
#2	N2	3 - 1	∅0.25(2UEW)	56Ts	PIN: 2mm	1+1 LAYER	1 WIRE
#3	N3	4 - 2	∅0.4*3P(2UEW)	6Ts	PIN: 2mm	1 LAYER	1 WIRE
#4	N4	2 - 5	∅0.4*3P(2UEW)	6Ts	PIN: 2mm	1 LAYER	1 WIRE
#5	N5	8 - 6	∅0.4(TRIPLE WIRE)	7Ts	PIN: 2mm	3 LAYERS	1 WIRE