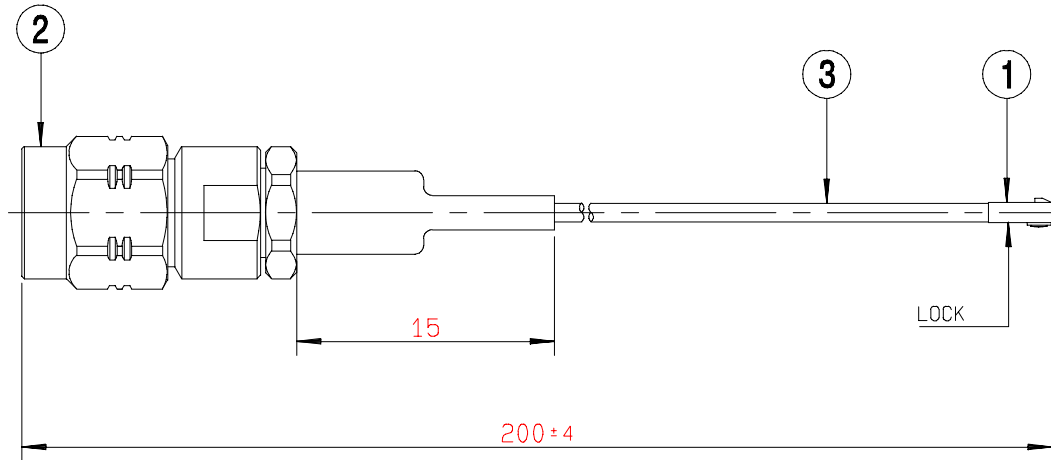


**MALE SMA-UMP HIGHT 2 LOCK**

**R285.025.202**

**20 CM CABLE 1/50 S-BR**

Series : **CORD-STD**



<b>PACKAGING</b>		
Standard	Unit	Other
20	'W' option	Contact us

- \* 1 \* Connector A : **R107.001.000**
  - \* 2 \* Connector B : **R124.086.020**
  - \* 3 \* Cable : **C291.050.066**
- Type : **CAB 1/55 - 50 VMTX - BLANC**

**ELECTRICAL CHARACTERISTICS**

Impedance	<b>50 Ω</b>
Frequency	<b>0-3 GHz</b>
Operating temperature	<b>-40/+90 ° C</b>
VSWR	<b>TBD + 0.000 x F(GHz) Maxi</b>
Insertion loss	<b>TBD √F(GHz) dB Maxi</b>
Voltage rating	<b>100 Veff Maxi</b>
Dielectric withstanding voltage	<b>350 Veff mini</b>
Insulation resistance	<b>1000 MΩ mini</b>

**SPECIFICATION**

Weight	<b>5.550 g</b>
Cable retention	<b>20 N mini</b>
Others :	

