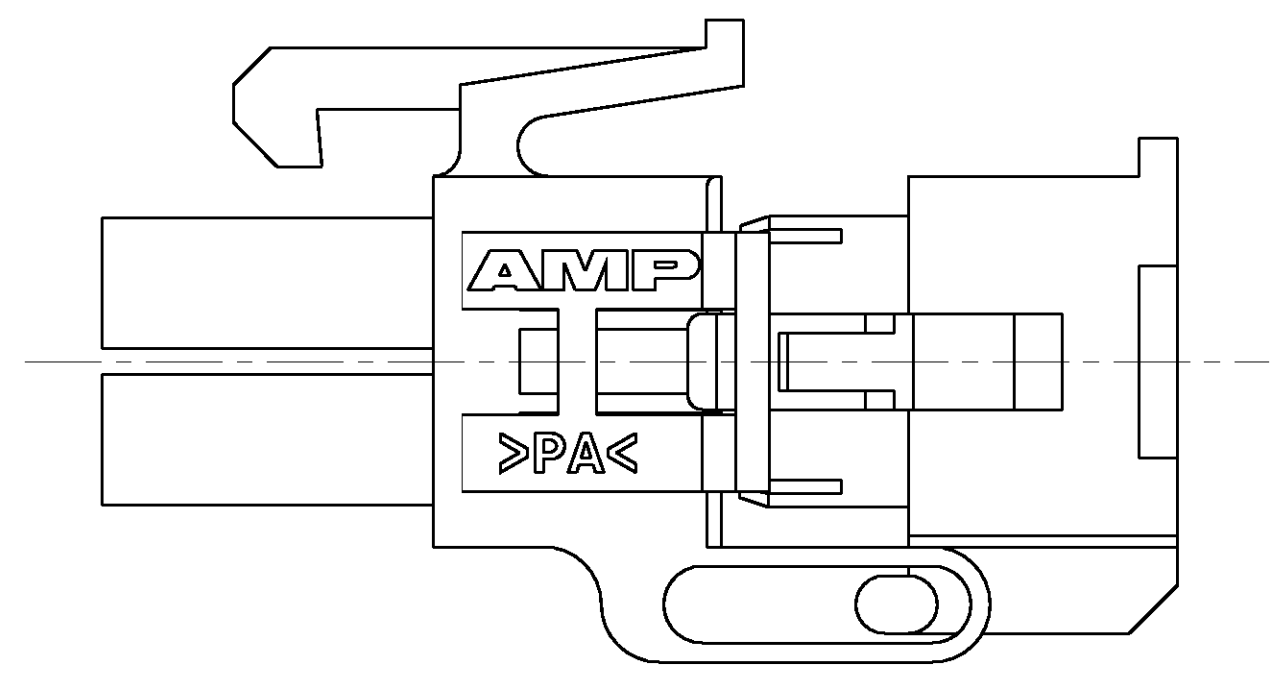
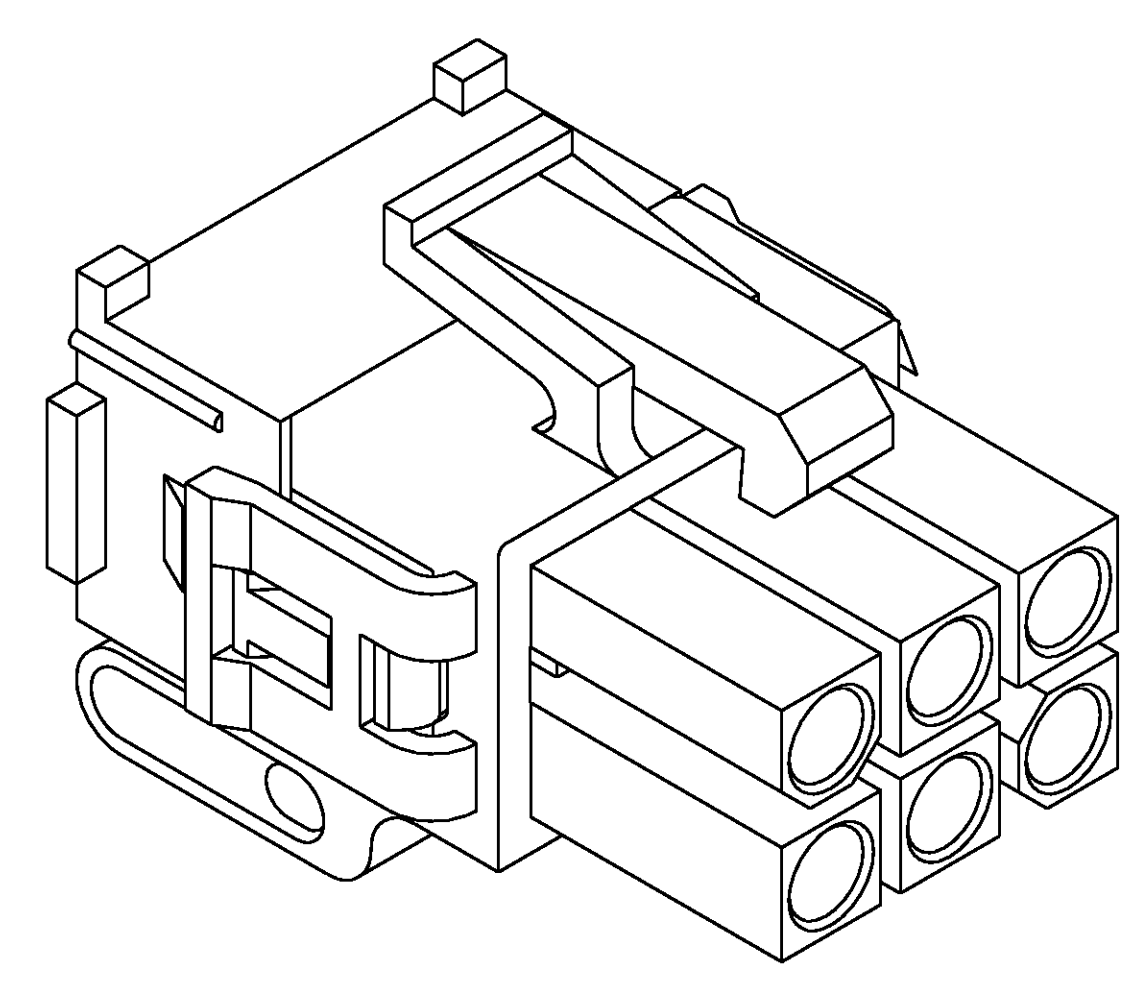
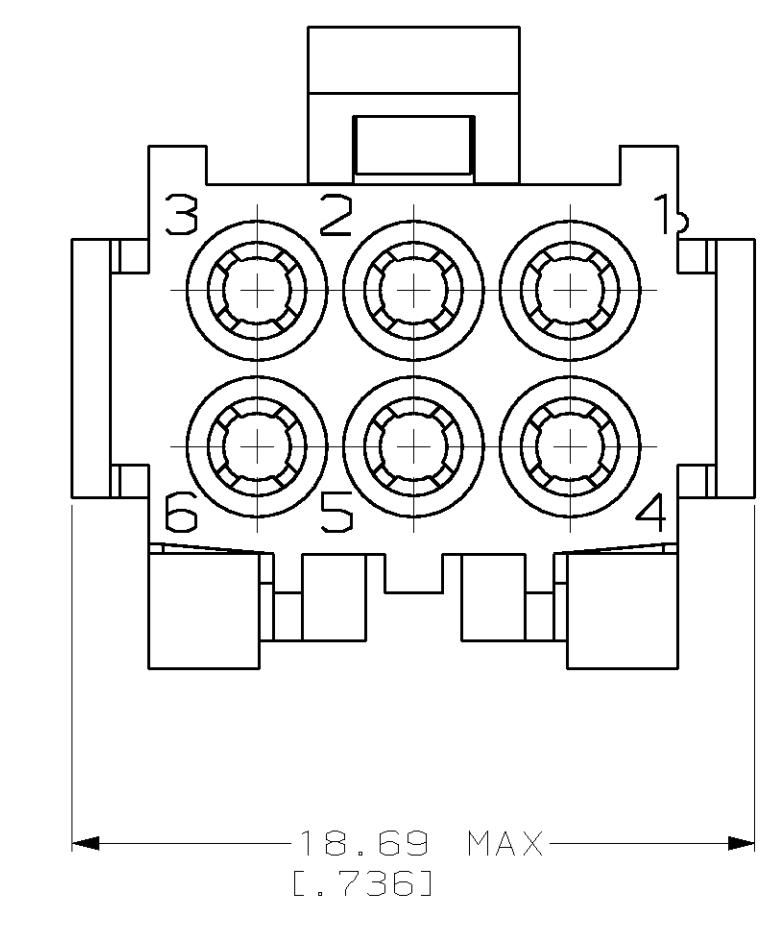
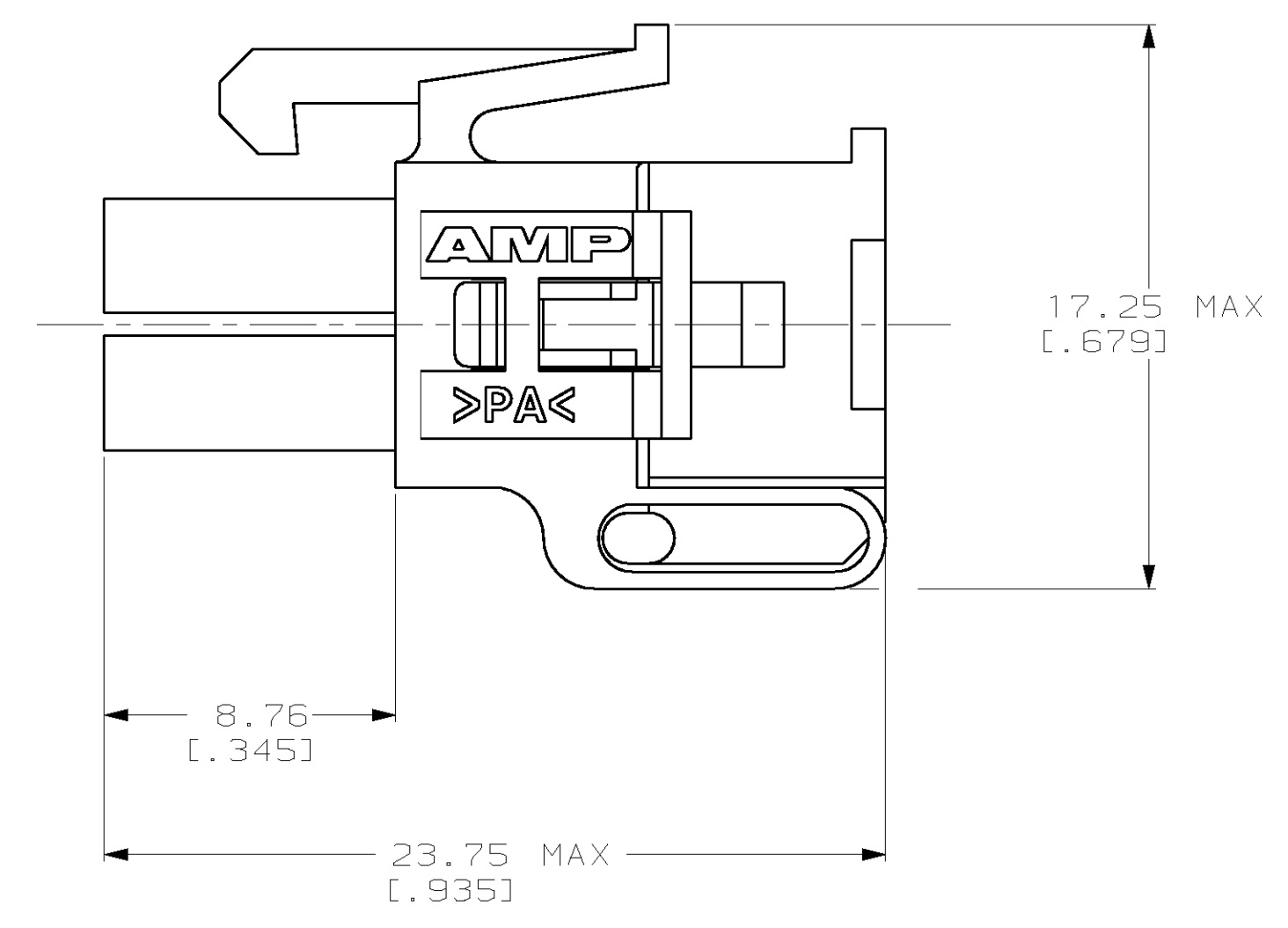
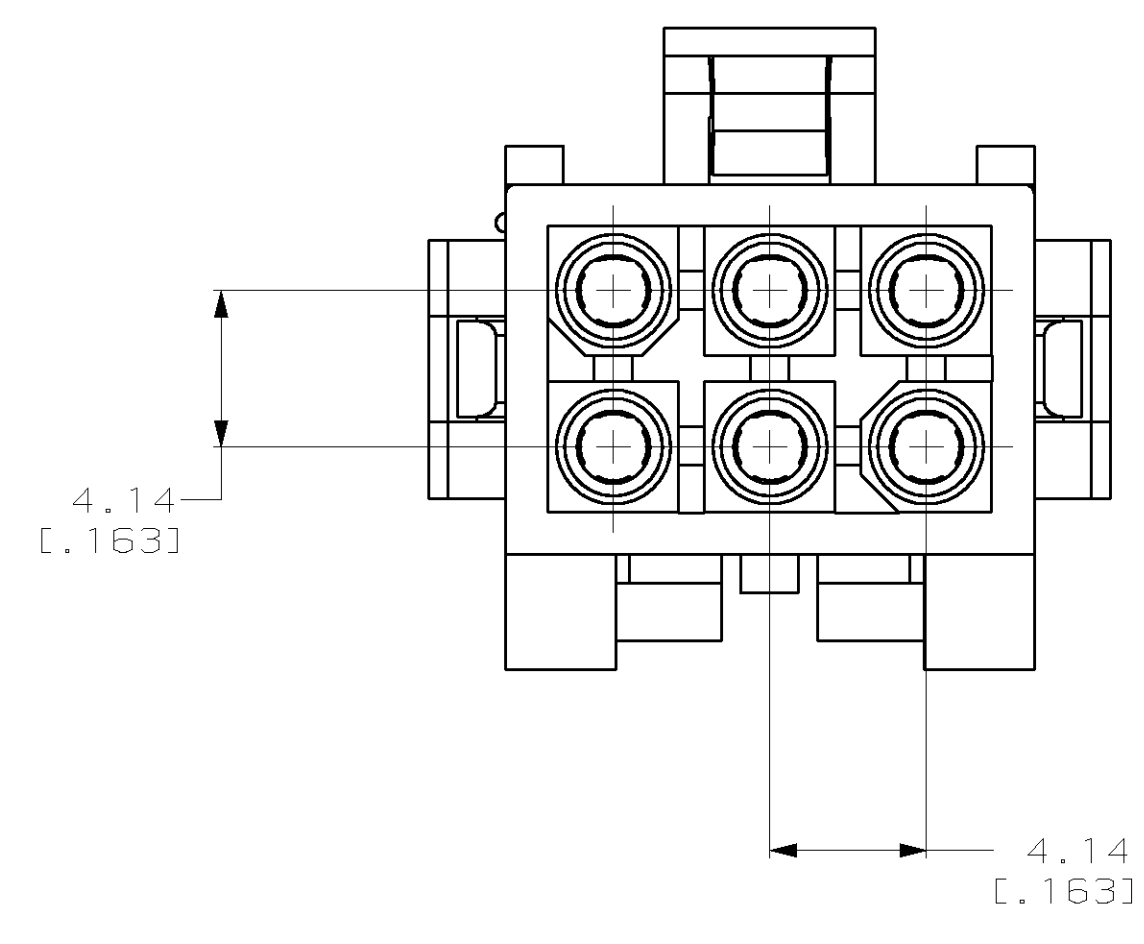


LOC		DIST		REVISIONS			
F	CHR	DATE	BY	CHK	APVD	DESCRIPTION	
B		23-SEP-99	KW	EC	KC	REV PER EC 061B-0094-99	



PRE-STAGED CONDITION

1. DIMENSIONS IN BRACKETS ARE IN INCHES.



3-DIMENSIONAL MODEL
NTS

794190-1
PART NUMBER



THIS DRAWING IS A CONTROLLED DOCUMENT.		DWN K. WHITAKER	5-12-97	AMP AMP Incorporated Harrisburg, PA 17105-3608
		CHK R. SWING	5-12-97	
DIMENSIONS:		APVD R. ORSTAD	5-12-97	NAME PLUG, 6 CIRCUIT, MINI UNIVERSAL MATE-N-LOK™ 2
TOLERANCES UNLESS OTHERWISE SPECIFIED:		PRODUCT SPEC		APPLICATION SPEC
mm		0 PLC ±		SIZE
		1 PLC ±		CAGE CODE
		2 PLC ±		DRAWING NO
		3 PLC ±		RESTRICTED TO
		4 PLC ±0.13 (.005)		A1 00779
		ANGLES ±		C-794190
FINISH		WEIGHT		
NYLON, UL 94V-0, NATURAL		CUSTOMER DRAWING		SCALE 5:1