

NOTES:

1.0 MATERIALS:

- 1.1 HOUSING & NUTS: STAINLESS STEEL PER ASTM-A582, TYPE 303.
- 1.2 CENTER CONTACT: BERYLLIUM COPPER ROD ALLOY C172, PER ASTM-B196.
- 1.3 DIELECTRIC: PTFE FLUOROCARBON PER ASTM-D1457.

2.0 PLATING:

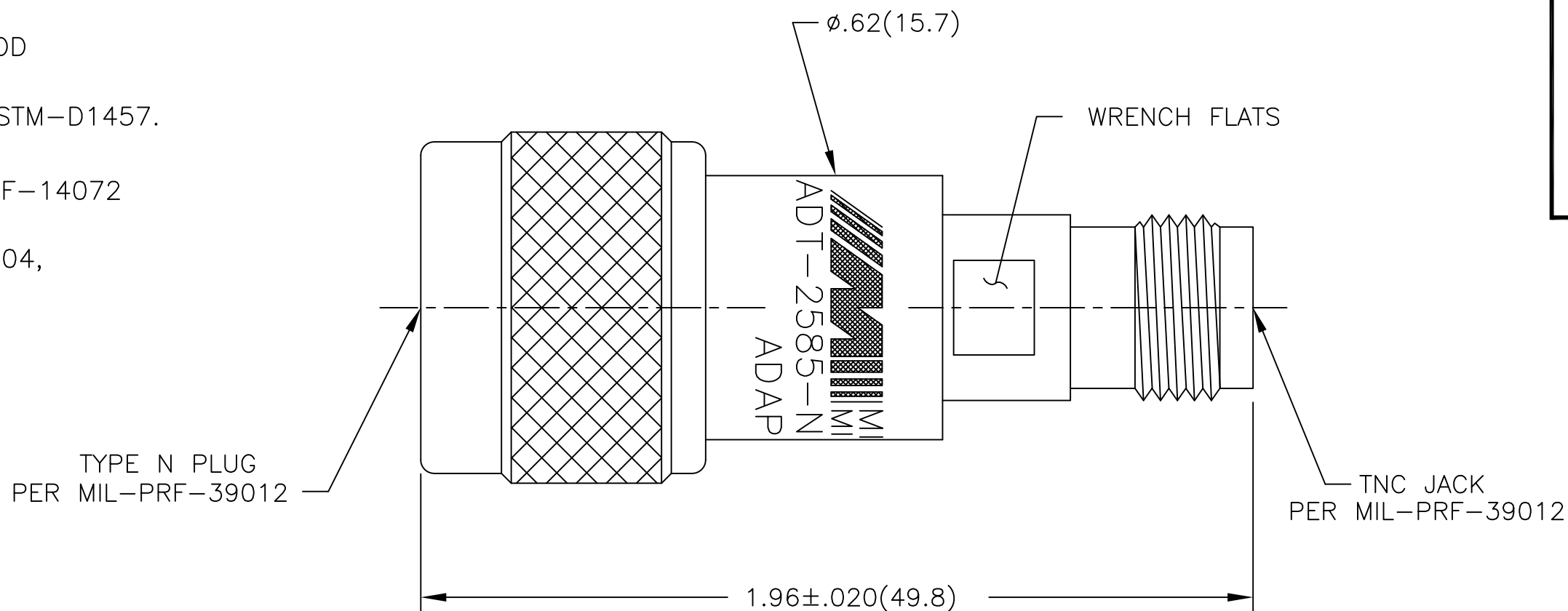
- 2.1 HOUSING & NUTS: PASSIVATED PER MIL-F-14072 AND QQ-P-35
- 2.2 CENTER CONTACT: GOLD PER MIL-G-45204, TYPE II, CLASS 2.

3.0 ELECTRICAL SPECIFICATION:

- 3.1 FREQUENCY RANGE: DC to 18.0 GHz
- 3.2 VSWR (MAXIMUM):
 - DC to 4.0 GHz: 1.04:1
 - 4.0 to 8.0 GHz: 1.07:1
 - 8.0 to 18.0 GHz: 1.12:1
- 3.3 IMPEDANCE: 50 OHMS

4.0 DIMENSIONS IN PARENTHESIS ARE IN MILLIMETERS

5.0 MARKING: MARK UNIT AS SHOWN



DWG NO. WAS: 02390-01-00

REV.	DESCRIPTION	DATE
-	RELEASED	7/1/80
A	ECR 6545	6/29/89
B	ECR 6933	4/26/90
B1	ADD OUTLINE SPECS	8/10/90
B2	UPDATE MOD. NO.	
C	REDRAW ON CAD	5/7/93
C1	ADDED TITLEBLOCK	3/9/05
C2	ECO 23384	3/15/11

NOTICE: The information contained in this drawing is proprietary and must not be used without the permission of Emerson Network Power. UNLESS OTHERWISE NOTED DIMENSIONS ARE IN INCHES AND TOLERANCES ARE: 3 PLACE DECIMALS $\pm .005$ 2 PLACE DECIMALS $\pm .02$ FRACTIONS $\pm 1/64$ PARALLELITY: T.I.R. _____ FLATNESS: T.I.R. _____ CONCENTRICITY: T.I.R. _____ ANGLES AND PERPENDICULARITY: $\pm 1'$	CAGE CODE 34078	MIDWEST MICROWAVE	
	EMERSON Network Power Connectivity Solutions		TITLE TYPE N MALE TO TNC FEMALE ADAPTER OUTLINE DRAWING
DRAWN/DATE M.HOLLMAN 5/7/93	ENG./DATE A.OSGA 5/18/93	DRAWING NUMBER ADT-2585-NM-TNF-02-01	REV. C2
CHECKED/DATE A.BEATTY 5/14/93	APPROVED/DATE	SCALE: 3=1	SHEET 1 of 1