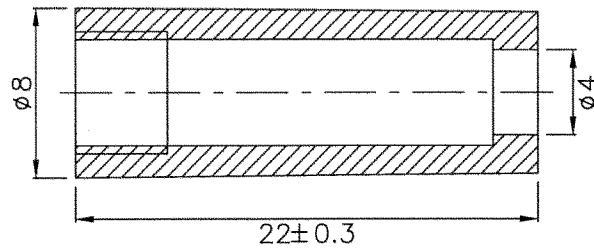
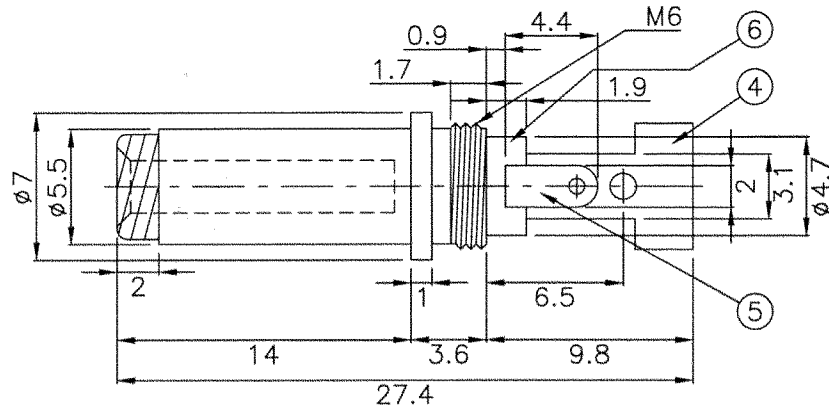


No	DESCRIPTION	MATERIAL	FINISH
1.	INNER BARREL	BRASS	NICKEL PLATED
2.	INSULATOR RING	POM	BLACK COLOR
3.	OUTER SLEEVE	BRASS	NICKEL PLATED
4.	GROUND TERMINAL	BRASS	NICKEL PLATED
5.	TERMINAL	BRASS	NICKEL PLATED
6.	INSULATOR	POM	RED COLOR
7.	HOUSING	BAKELITE	BLACK COLOR

TOLERANCE: ±0.3MM UNLESS OTHERWISE SPECIFIED



9615 SW Allen, Suite 103
 Beaverton, OR 97005
 Phone: (503) 643-4899
 800-275-4899
 Fax: (503) 643-6129
 Website: www.cui.com

TITLE: 2.5mm DC PLUG		
PART NO. PP-002B	UNITS: MM [INCHES]	
DRAWN BY: Todd R. White	APPROVED BY:	SCALE: 3X