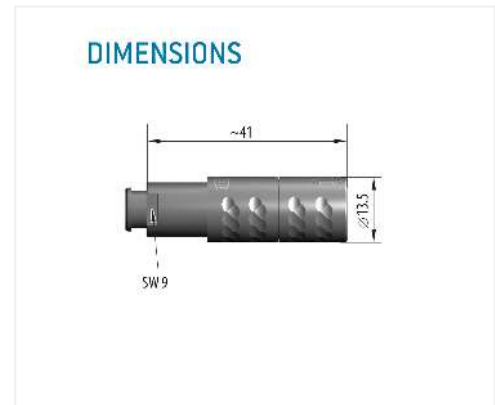
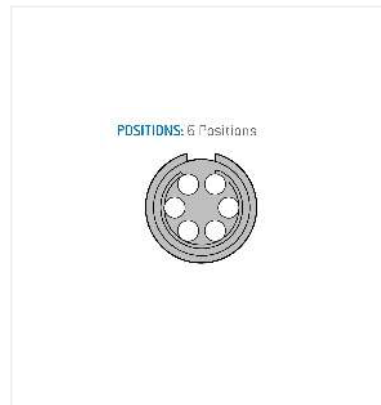


## General information

|                   |                     |
|-------------------|---------------------|
| Part number       | K21MC7-P06LFD0-657S |
| Termination       | solder              |
| Size              | 1                   |
| Locking principle | break , push        |
| Coding            | c_key_medi          |
| Cable Diameter    | cable_medi_65       |
| Cable outlet      | bend_relief         |



## Contact insert description

|                      |         |
|----------------------|---------|
| Number of contacts   | 6       |
| Contact type         | sockets |
| Contact diameter     | 07mm    |
| Insulator material   | peek    |
| Wire cross section   | 26_awg  |
| Termination          | solder  |
| Termination diameter | 065mm   |

reverse\_gender\_on\_request

## Technical information

|  |          |               |
|--|----------|---------------|
| Max. creepage and air clearance distance | 085 mm   |               |
| Nominal current single contact           | 06_a     | iec_60512_5_2 |
| Nominal current insert                   | 4,5 A    | vde_0298_4    |
| Test voltage                             | 16 kv_dc | sae_13441     |

safety\_text

## Mechanical and environmental data

|                       |          |
|-----------------------|----------|
| Degree of protection* | ip50     |
| Operating temperature | 50_120 c |
| Mating cycles         | 5000     |

mated\_unmated

## Insulator materials MEDI-SNAP®

psu\_peek

## Material and surface treatments

|                     |               |
|---------------------|---------------|
| <b>Housing</b>      | psu_gray      |
| <b>Color option</b> | gray          |
| <b>Contact</b>      | cu_alloy_gold |

safety\_text\_2  
ul\_text  
illustrative\_text