

6

5

4

3

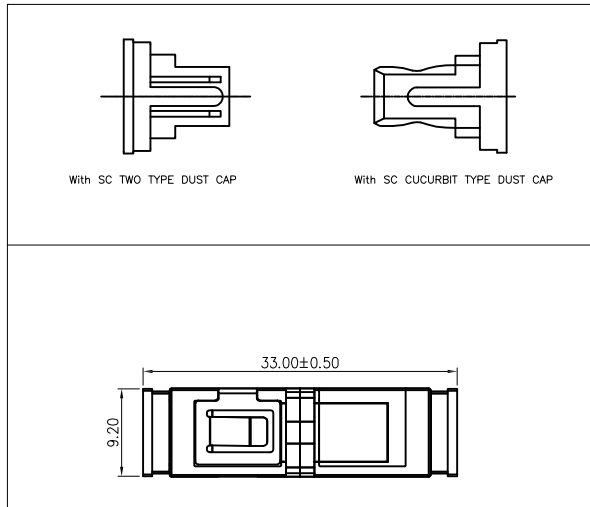
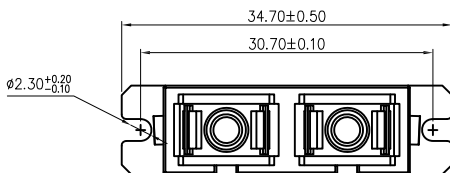
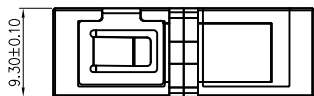
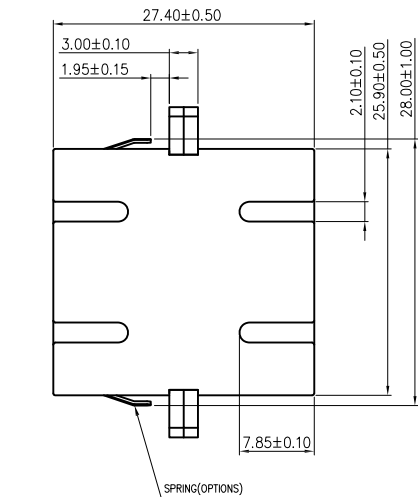
2

1

APPROVED: \_\_\_\_\_

DATE: \_\_\_\_\_ TITLE: \_\_\_\_\_

Rev	AWO #	Description	Date	Appr
-		RELEASED	9/14/20	



OPSB2ANNC1P2	SC/PC ADAPTER LONG EARS (WITH SHRAPNEL) WITH SC CUCURBIT TYPE DUST CAP	PBT 2184C Blue	PP Translucent
OPSA2ANNC1N1	SC/APC ADAPTER LONG EARS (NO SHRAPNEL) WITH SC TWO TYPE DUST CAP	PBT 7737C Green	PBT Black
OPSA2ANNC1P1	SC/APC ADAPTER LONG EARS (WITH SHRAPNEL) WITH SC TWO TYPE DUST CAP	PBT 7737C Green	PBT Black
OPSB2ANNC1N1	SC/PC ADAPTER LONG EARS (NO SHRAPNEL) WITH SC TWO TYPE DUST CAP	PBT 2184C Blue	PBT Black
OPSB2ANNC1P1	SC/PC ADAPTER LONG EARS (WITH SHRAPNEL) WITH SC TWO TYPE DUST CAP	PBT 2184C Blue	PBT Black
PART NUMBER	DESCRIPTION	Housing&Insertcolor	Cap color

**SPECIFICATIONS:**

Material:  
Housing: PBT, rated UL 94V-0, Color: See Chart  
Cap: See Chart, rated UL 94V-0, Color: See Chart  
Sleeve: Zirconia Ceramic  
Electrical:  
Standards of IEC, EIA/TIA, Telcordia  
Repeatability: 500 min  
Insertion loss: 0.2dB max  
Interchangeability: 0.2dB max  
Repeatability: 0.2dB max  
Temperature Rating:  
Operating temperature: -40°C to +85°C  
Environmental:  
Lead free, RoHS compliant.



UNLESS OTHERWISE SPECIFIED ALL DIMENSIONS ARE MILLIMETERS TOLERANCES: EXCEPT AS NOTED		
MM ANGLE		
X. ± 0.35	X* ± 2°	
.X ± 0.30	.X* ± 1°	
.XX ± 0.25	.XX* ± 0.5°	
.XXX ± 0.15	.XXX* ± 0.5°	
APPROVALS		DATE
DRAWN	OW	9/14/20
CHECKED	JL	9/14/20
APPROVED		

**ADAM TECH INTERCONNECTS** 909 Rahway Avenue, Union, NJ 07083  
Phone: 908-687-5000 Fax: 908-687-5710

TITLE  
SC TYPE ADAPTER, APC&PC, 2 PORTS, LONG EARS,  
WITH SC TWO TYPE DUST CAP & SC CUCURBIT TYPE DUST CAP

SIZE X	PART NO. OPSX2ANNC1XX	REV. -
REF: S00005C	SCALE: NTS	SHEET 1 OF 1

6

5

4

3

2

1