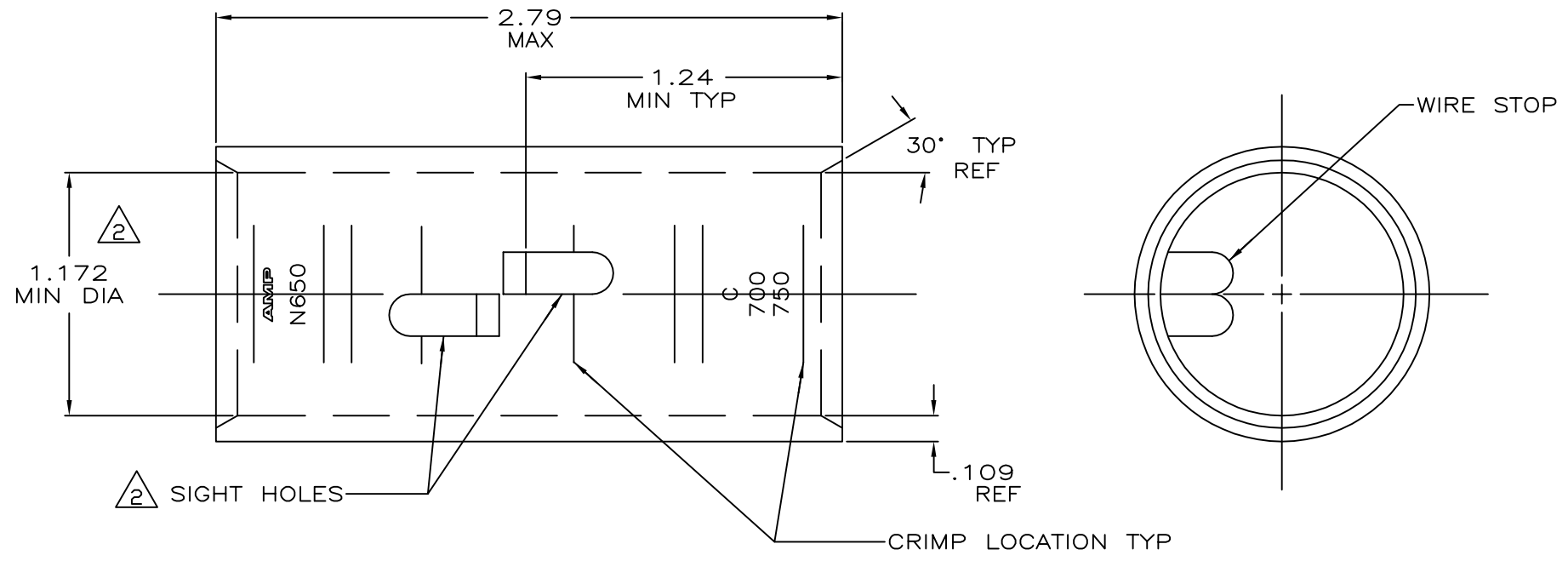


THIS DRAWING IS UNPUBLISHED. RELEASED FOR PUBLICATION
 © COPYRIGHT - By - ALL RIGHTS RESERVED.

LOC	DIST	REVISIONS					
G	86	P	LTR	DESCRIPTION	DATE	DWN	APVD
		N		ECR-13-000998	11FEB2013	PK	HS



1 TIN PL .000150 MIN THK
 MIL-T-10727

2 .045 MAX BURR ALLOWED INSIDE THE WIRE
 BARREL ID IN AREA OF SIGHT HOLE.

CLEANED	650-750 MCM	COPPER	1-324468-0
1		ASTM-B-75 ANNEALED	324468
FINISH	WIRE RANGE	MATERIAL	PART NO.

THIS DRAWING IS A CONTROLLED DOCUMENT.		DWN	DK SCHRUM	4/24/89	TE Connectivity SPLICE, BUTT, AMPPOWER WIRE SIZE: 700 MCM
DIMENSIONS: INCHES		CHK	MS FEHER	4/24/89	
TOLERANCES UNLESS OTHERWISE SPECIFIED:		APVD	TL SHUTTER	4/24/89	
0 PLC ± - 1 PLC ± - 2 PLC ± - 3 PLC ± - 4 PLC ± - ANGLES ± -		PRODUCT SPEC			
MATERIAL	SEE TABLE	FINISH	SEE TABLE	WEIGHT	.395 LB.
		APPLICATION SPEC		SIZE	A3
		CUSTOMER DRAWING		CAGE CODE	00779
				DRAWING NO	C=324468
				RESTRICTED TO	-
				SCALE	2:1
				SHEET	1 OF 1
				REV	N