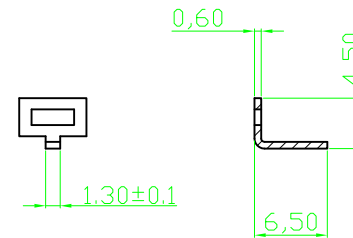
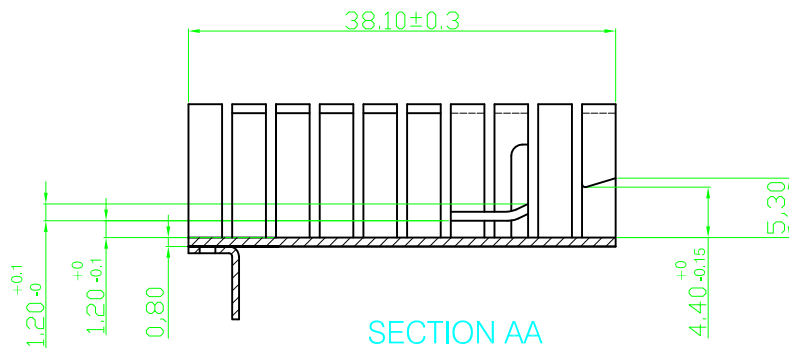
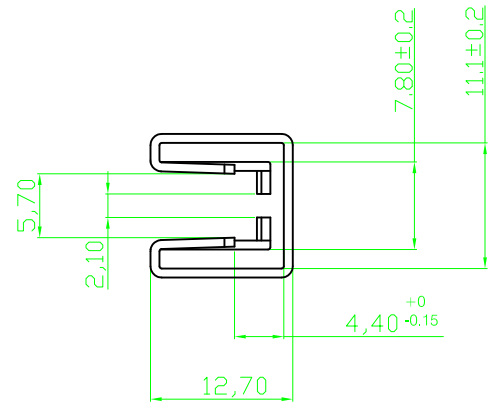
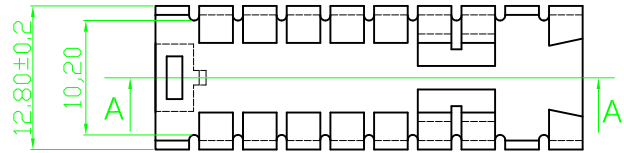


RoHS compliant



Notes
 Material : AL 5052 T=0.8±0.1 MM
 Finished : Black Anodize

Scale	FREE					Date	Name	Customer-No.	
TOLERANCE					Drawn	11.08.2009	Dean		
UNIT	±0.5				Approved	10.03.2010	Andy	ASSMANN WSW-No.	
								V8508F	
DIM	TOL	②	Modify drawing layout	10.03.2010	Alex			Drawing-No.	
X.°	±X°	①	Drawn	11.08.2009	Dean			ASS 0857 HS	rev02
X.X°	±X°	Id.	Modification	Date	Name			Replace	Sheet
Angle	TOL								



ASS 0857 HS rev02
 Replace Sheet