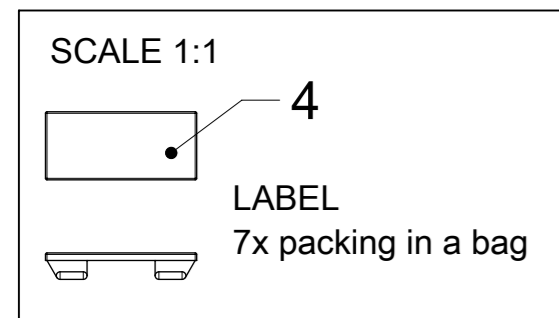


TABLE 1

MOLEX P/N	ENG. NO.	LED
1202480086	BTB603P-FBA	YES

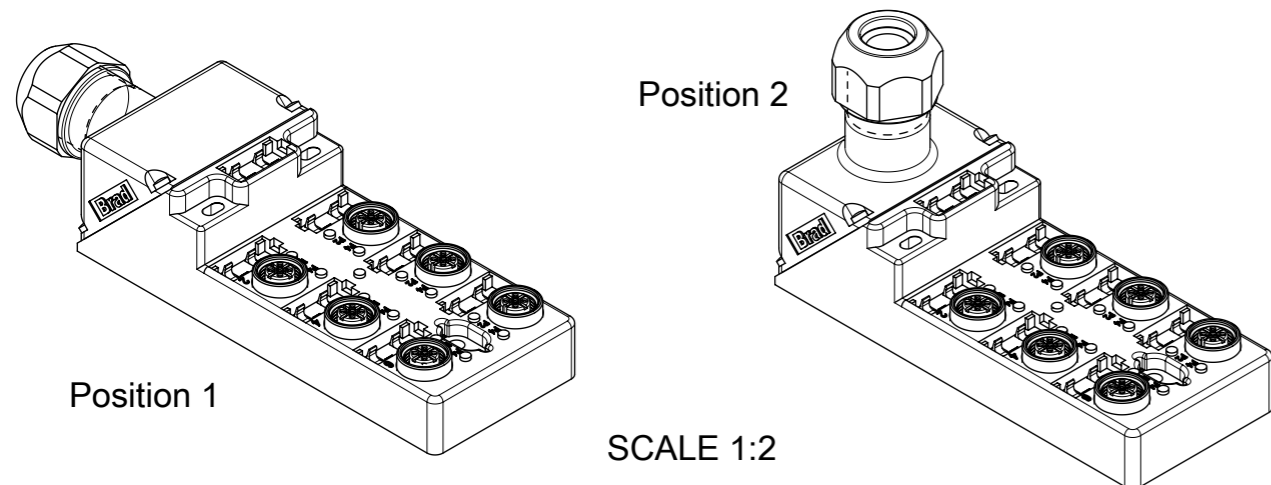
TABLE 2 BILL OF MATERIAL

ITEM	DESCRIPTION	MATERIAL	FINISH
1	CONTACT	BRONZE	GOLD OVER NICKEL
2	O-RING	FPM	RED
3	SHELL	BRASS	NICKEL PLATED
4	LABEL	ABS	WHITE
5	HOUSING	PBT	BLACK
6	LED	PA	TRANSPARENT
7	O-RING	NBR	BLACK
8	CLAMPBOX	PBT	BLACK
9	NUT	PA	BLACK
10	GASKET	NBR	BLACK

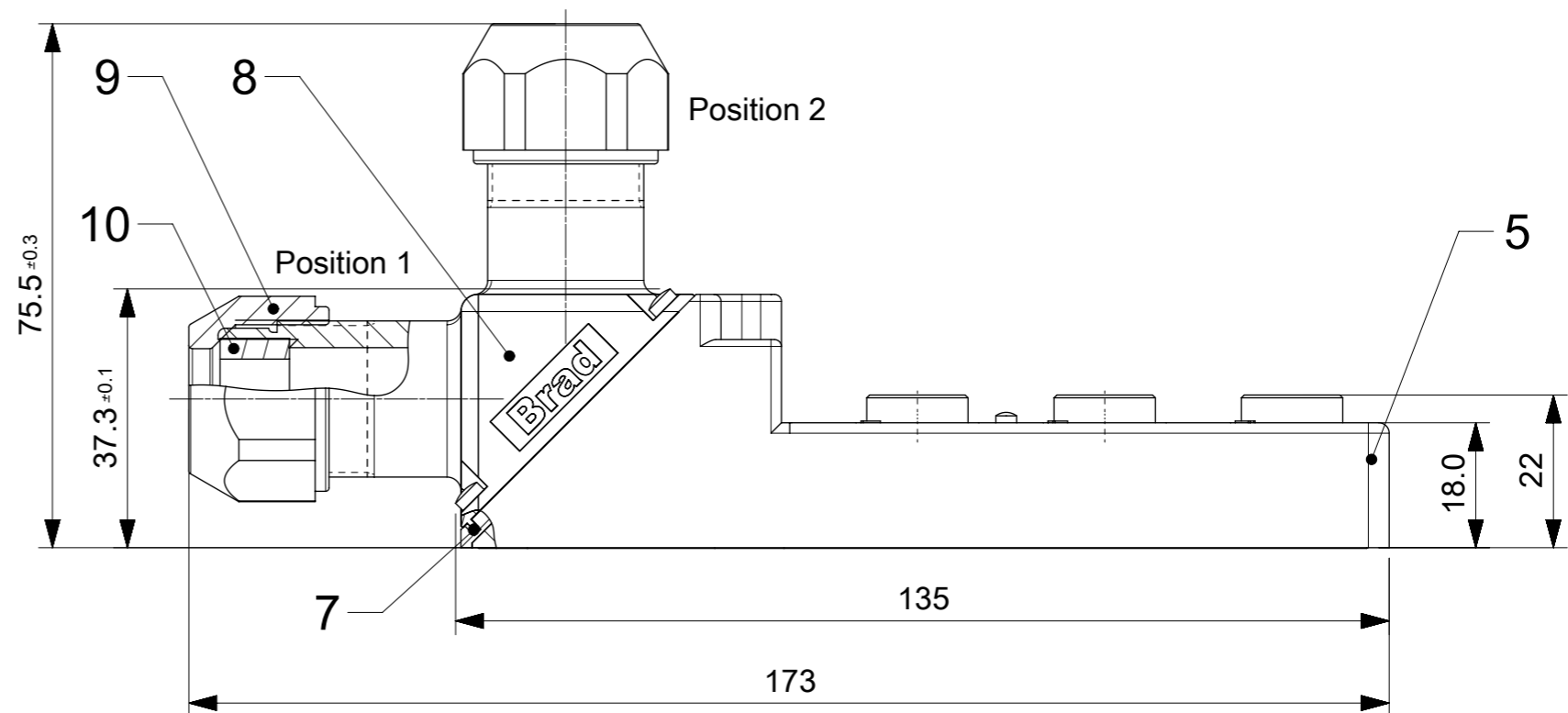
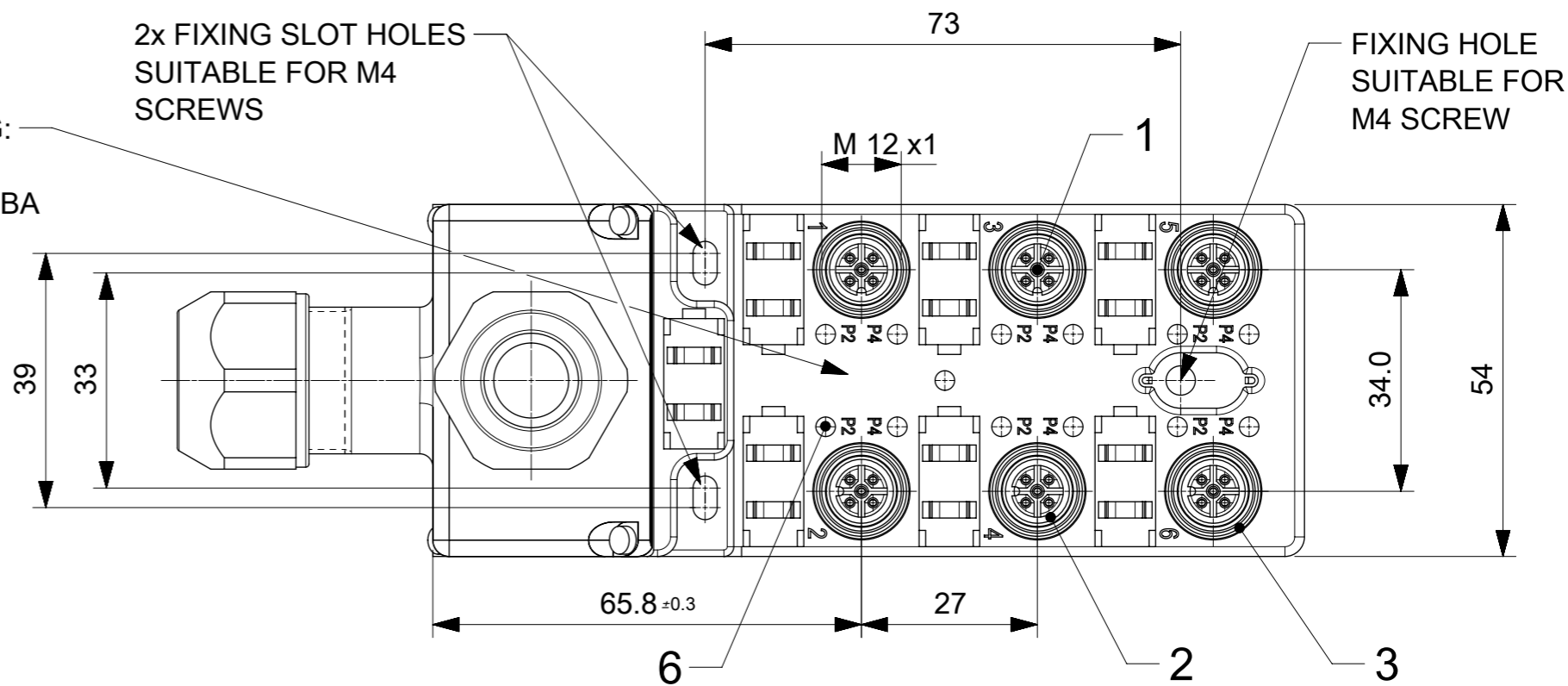


GENERAL CHARACTERISTICS:

NOMINAL VOLTAGE: 10-30 V DC
 AMPERE RATING: 4 A PER PORT / 12 A MAX
 IP DEGREE OF PROTECTION: IP 67
 TEMPERATURE RANGE: -25°C to + 90°C

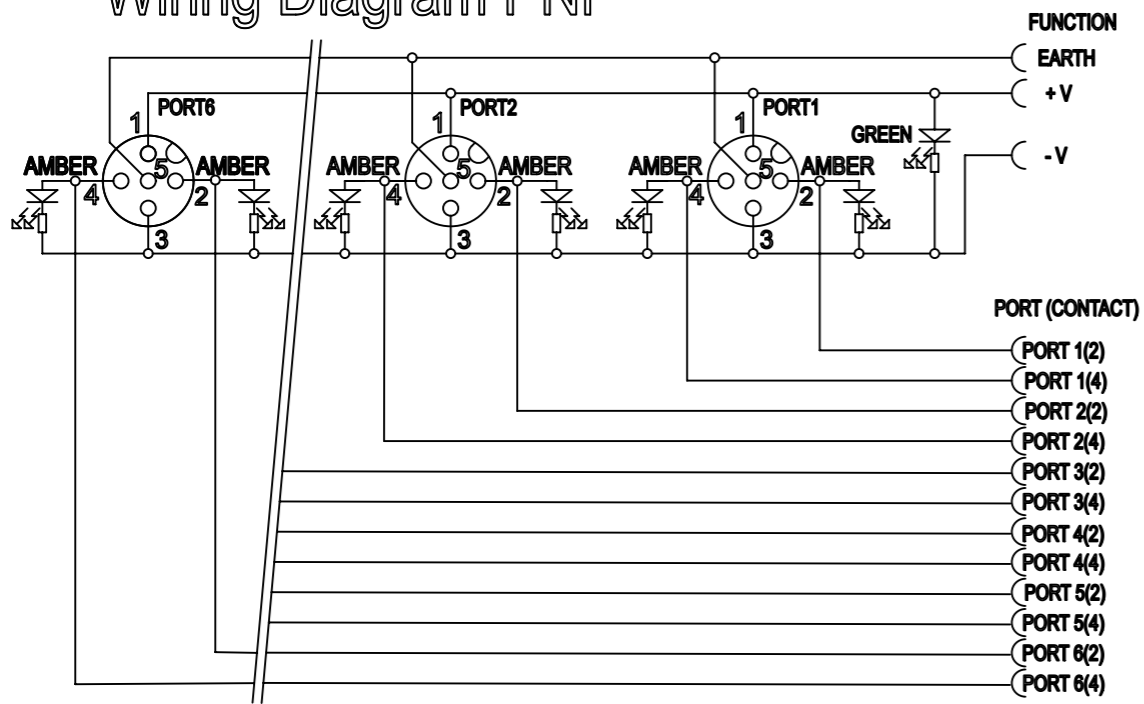


LASER PRINTING:
 PN: 120248XXXX
 ENG.: BTB603X-FBA
 PO: XXXXXXXXXX



SYMBOLS	THIS DRAWING CONTAINS INFORMATION THAT IS PROPRIETARY TO MOLEX ELECTRONIC TECHNOLOGIES, LLC AND SHOULD NOT BE USED WITHOUT WRITTEN PERMISSION	CURRENT REV DESC: LASER PRINTING ADDED		molex																																			
	<table border="1"> <tr> <th>DIMENSION UNITS</th> <th>SCALE</th> </tr> <tr> <td>mm</td> <td></td> </tr> </table>	DIMENSION UNITS	SCALE			mm		<table border="1"> <tr> <th colspan="3">GENERAL TOLERANCES (UNLESS SPECIFIED)</th> </tr> <tr> <td>ANGULAR TOL</td> <td>±</td> <td>°</td> </tr> <tr> <td>4 PLACES</td> <td>±</td> <td></td> </tr> <tr> <td>3 PLACES</td> <td>±</td> <td></td> </tr> <tr> <td>2 PLACES</td> <td>±</td> <td></td> </tr> <tr> <td>1 PLACE</td> <td>±</td> <td>0.2</td> </tr> <tr> <td>0 PLACES</td> <td>±</td> <td>0.3</td> </tr> </table>		GENERAL TOLERANCES (UNLESS SPECIFIED)			ANGULAR TOL	±	°	4 PLACES	±		3 PLACES	±		2 PLACES	±		1 PLACE	±	0.2	0 PLACES	±	0.3	<table border="1"> <tr> <td>EC NO: 172073</td> <td></td> </tr> <tr> <td>DRWN: BBRAUCH</td> <td>2018/01/31</td> </tr> <tr> <td>CHK'D: ULETTENMEIER</td> <td>2018/02/08</td> </tr> <tr> <td>APPR: RSILLER</td> <td>2018/02/09</td> </tr> </table>		EC NO: 172073		DRWN: BBRAUCH	2018/01/31	CHK'D: ULETTENMEIER	2018/02/08	APPR: RSILLER
DIMENSION UNITS	SCALE																																						
mm																																							
GENERAL TOLERANCES (UNLESS SPECIFIED)																																							
ANGULAR TOL	±	°																																					
4 PLACES	±																																						
3 PLACES	±																																						
2 PLACES	±																																						
1 PLACE	±	0.2																																					
0 PLACES	±	0.3																																					
EC NO: 172073																																							
DRWN: BBRAUCH	2018/01/31																																						
CHK'D: ULETTENMEIER	2018/02/08																																						
APPR: RSILLER	2018/02/09																																						
INITIAL REVISION:				PRODUCT CUSTOMER DRAWING																																			
<table border="1"> <tr> <td>DRWN: AAHLERS</td> <td>2015/04/08</td> </tr> <tr> <td>APPR: JALEXANDER</td> <td>2015/05/28</td> </tr> </table>				DRWN: AAHLERS	2015/04/08	APPR: JALEXANDER	2015/05/28	DOCUMENT NUMBER	DOC TYPE	DOC PART	REVISION																												
DRWN: AAHLERS	2015/04/08																																						
APPR: JALEXANDER	2015/05/28																																						
DRAFT WHERE APPLICABLE MUST REMAIN WITHIN DIMENSIONS				1202480086	PSD	000	A3																																
THIRD ANGLE PROJECTION		DRAWING	SERIES	MATERIAL NUMBER	CUSTOMER	SHEET NUMBER																																	
		A3-SIZE	120248	SEE TABLE 1	GENERAL MARKET	1 OF 2																																	

Wiring Diagram PNP

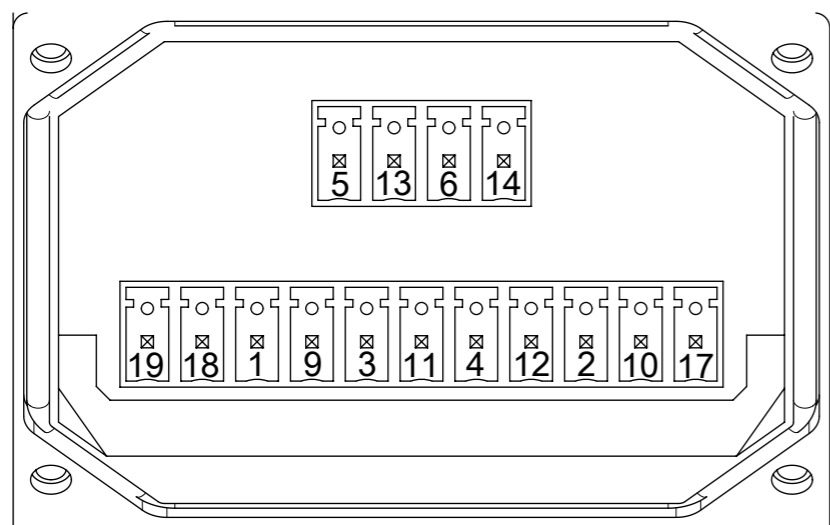
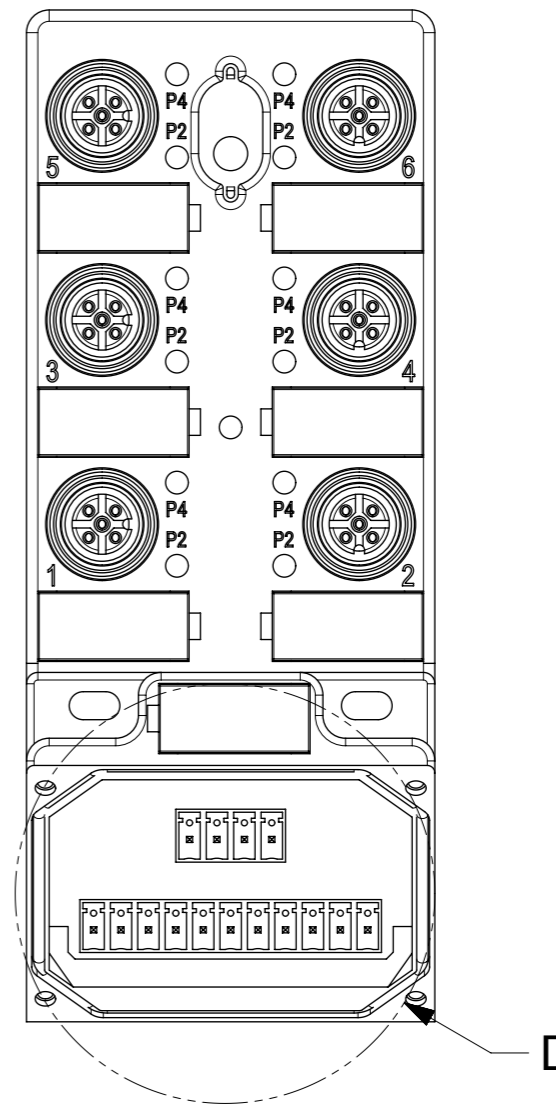


TERMINAL BLOCK NUMBER

- PIN19
- PIN17
- PIN18

TERMINAL BLOCK NUMBER

- PIN 9
- PIN 1
- PIN 10
- PIN 2
- PIN 11
- PIN 3
- PIN 12
- PIN 4
- PIN 13
- PIN 5
- PIN 14
- PIN 6



DETAIL D
SCALE 2:1

SYMBOLS	THIS DRAWING CONTAINS INFORMATION THAT IS PROPRIETARY TO MOLEX ELECTRONIC TECHNOLOGIES, LLC AND SHOULD NOT BE USED WITHOUT WRITTEN PERMISSION		CURRENT REV DESC: LASER PRINTING ADDED		molex		
	DIMENSION UNITS	SCALE					
▽ = 0	mm		EC NO: 172073		MPIS M12 FA PNP 5P 6PT AC FE		
▽ = 0	GENERAL TOLERANCES (UNLESS SPECIFIED)		DRWN: BBRAUCH 2018/01/31		PRODUCT CUSTOMER DRAWING		
▽ = 0	ANGULAR TOL ± °		CHK'D: ULETTENMEIER 2018/02/08		DOCUMENT NUMBER		
▽ = 0	4 PLACES ±		APPR: RSILLER 2018/02/09		1202480086		
▽ = 0	3 PLACES ±		INITIAL REVISION:		DOC TYPE		
▽ = 0	2 PLACES ±		DRWN: AAHLERS 2015/04/08		PSD		
▽ = 0	1 PLACE ± 0.2		APPR: JALEXANDER 2015/05/28		DOC PART		
▽ = 0	0 PLACES ± 0.3		THIRD ANGLE PROJECTION		000		
▽ = 0	DRAFT WHERE APPLICABLE MUST REMAIN WITHIN DIMENSIONS		DRAWING		REVISION		
▽ = 0			A3-SIZE		A3		
		SERIES		MATERIAL NUMBER		CUSTOMER	
		120248		SEE TABLE 1		GENERAL MARKET	
				SHEET NUMBER		2 OF 2	