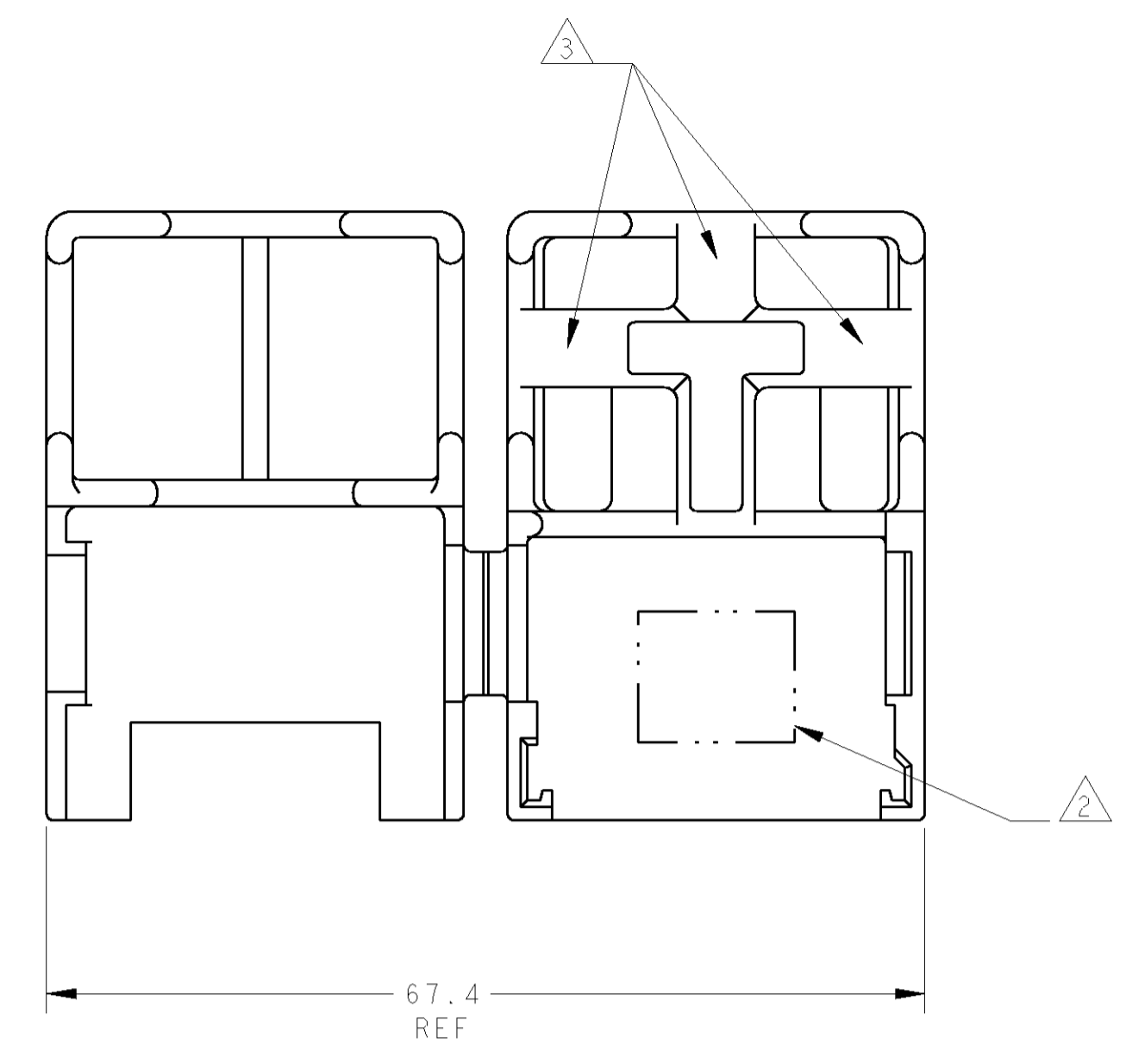
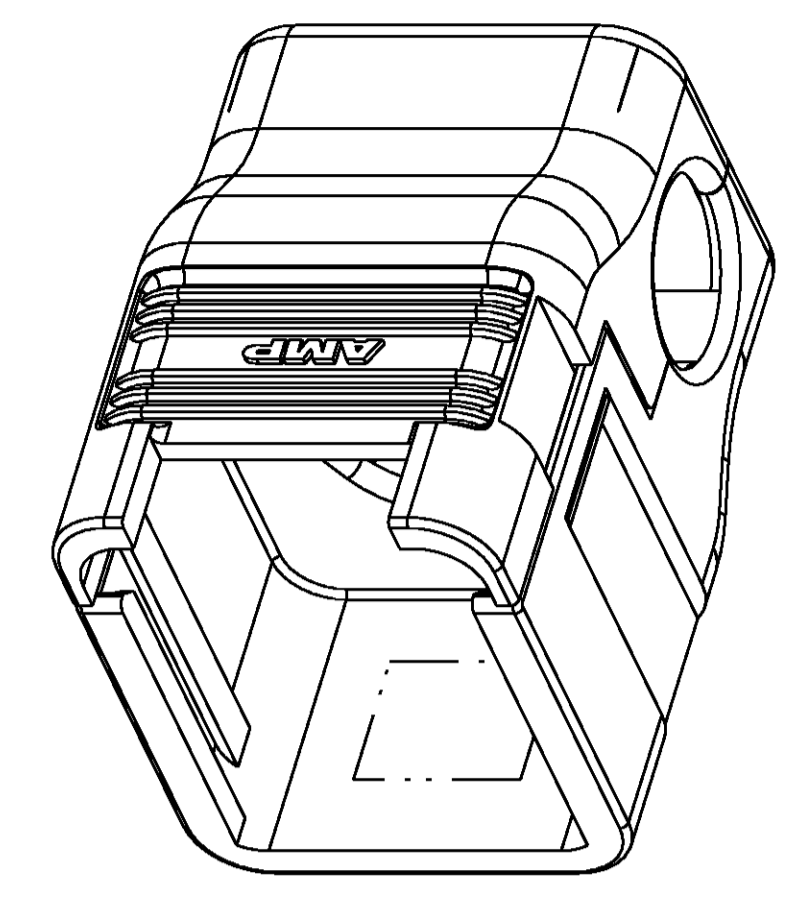
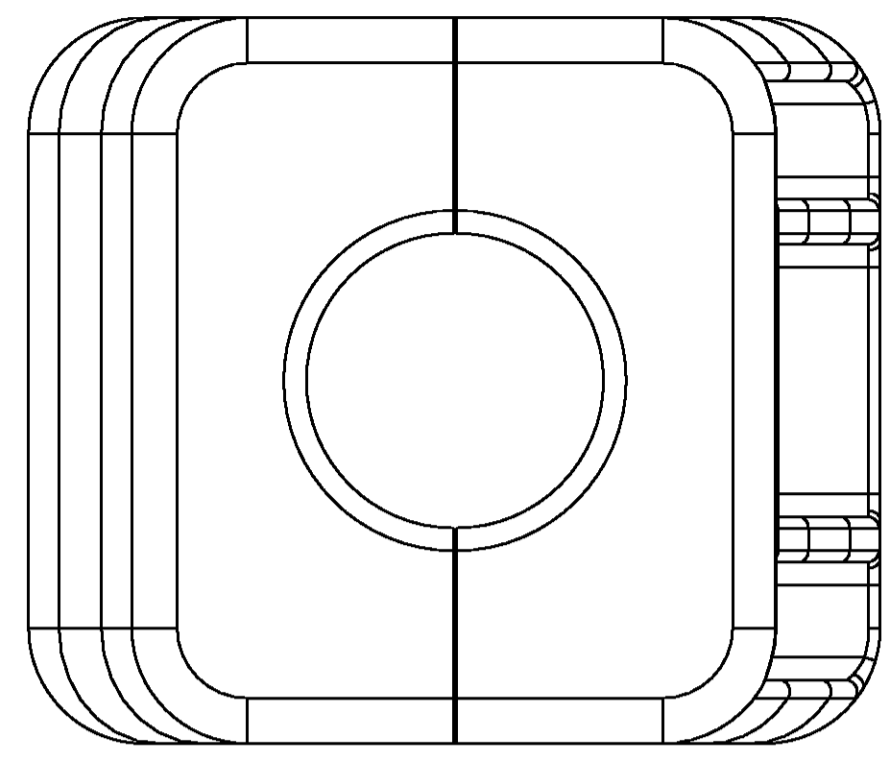


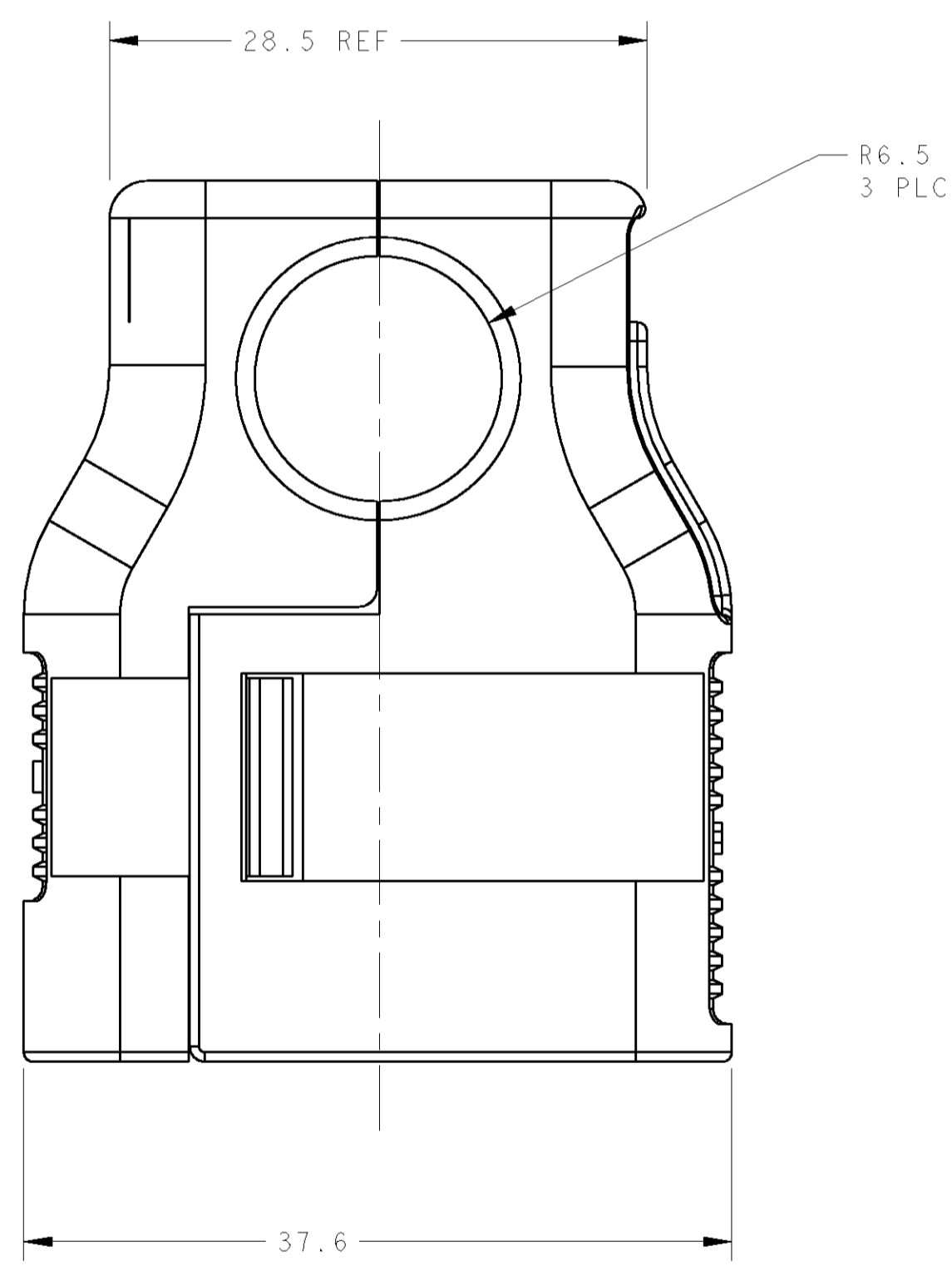
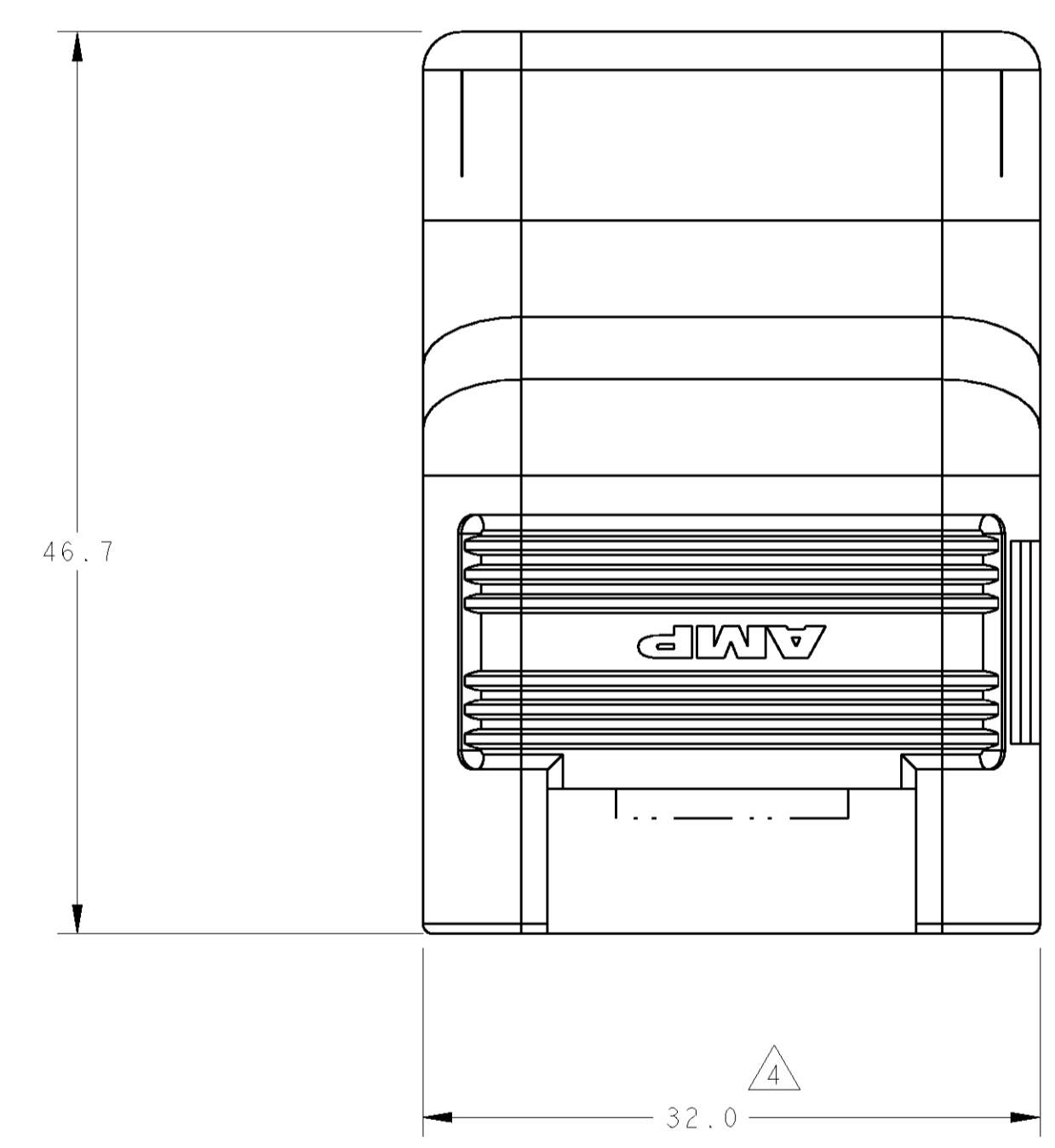
LOC		DIST		REVISIONS			
P	LTR	DESCRIPTION	DATE	DWN	APVD		
0		REL PER NPR# 00-65	18DEC00	FK	AE		



SHOWN OPEN (AS DELIVERED)
SCALE 2:1



SCALE 2:1



- 1 POLYPROPYLENE, BLACK, 25% MAX REGRIND.
- 2 DATE CODE LOCATED IN APPROXIMATE LOCATION SHOWN.
- 3 WIRE TIES SHOULD BE USED IN THIS AREA TO CONSTRAIN BUNDLE TO STRAIN RELIEF. LOCATION OF TIE DEPENDANT UPON CABLE DRESS.
- 4 DIMENSION APPLIES WHEN ATTACHED TO AMP PLUG PN 1326018.
- 5. THIS STRAIN RELIEF TO BE USED WITH TYCO PART NUMBER 1326018.

<small>THE INFORMATION CONTAINED HEREIN IS UNCLASSIFIED EXCEPT WHERE SHOWN OTHERWISE. IT IS THE POLICY OF TYCO ELECTRONICS CORPORATION TO MAKE THIS INFORMATION AVAILABLE TO THE PUBLIC WITHOUT LIMITATION. IF YOU HAVE ANY QUESTIONS, CONTACT THE TYCO GROUP.</small>		DWN F. KINSEY	18DEC00	Tyco Electronics Harrisburg, PA 17105-3608
<small>IF THIS DRAWING IS CHANGED, THE DATE AND THE ORGANIZATION SHOULD BE CONTACTED FOR THE LATEST VERSION.</small>		CHK A. EBRAHEEM	18DEC00	
DIMENSIONS: mm		APVD A. EBRAHEEM	18DEC00	NAME STRAIN RELIEF, MULTIPLE OUT AMP 0.64mm SYSTEM
TOLERANCES UNLESS OTHERWISE SPECIFIED: 0 PLC ± 1 PLC ±0.6 2 PLC ± 3 PLC ± 4 PLC ± ANGLES ±		PRODUCT SPEC		SIZE CAGE CODE DRAWING NO
MATERIAL: - 1 FINISH: -		APPLICATION SPEC		RESTRICTED TO
		WEIGHT	11.35 g	SCALE 3:1 SHEET 1 OF 1 REV 0
		CUSTOMER DRAWING	A1 00779 C=638941	