

THIS DRAWING IS UNPUBLISHED.

RELEASED FOR PUBLICATION

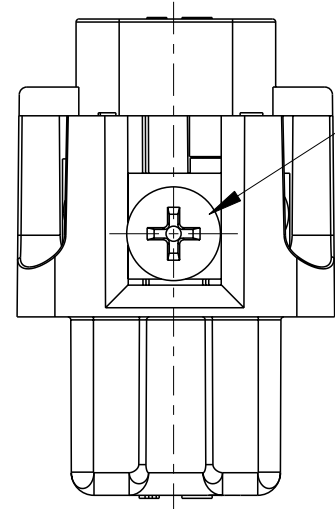
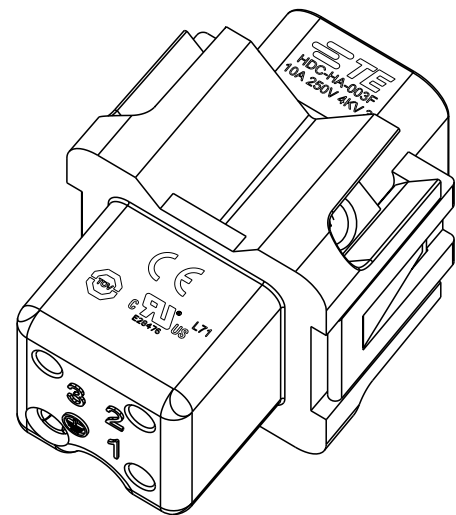
20

© COPYRIGHT 20 BY -

ALL RIGHTS RESERVED.

REVISIONS

P	LTR	DESCRIPTION	DATE	DWN	APVD
	B	ECR-15-013750	19SEP2015	DW	CW
	B1	ECR-15-016224	05NOV2015	DW	CW
	B2	ECR-16-017507	12DEC2016	QY	CW
	C	ECR-20-016101	09JUN2021	BS	CW



M3 SCREW, RECOMMENDED
TIGHTENING TORQUE 0.5Nm
M3 螺丝, 推荐锁紧力矩 0.5Nm

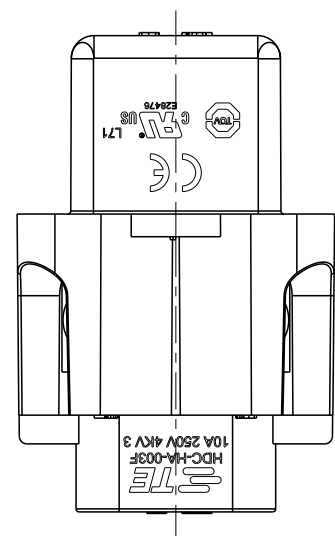
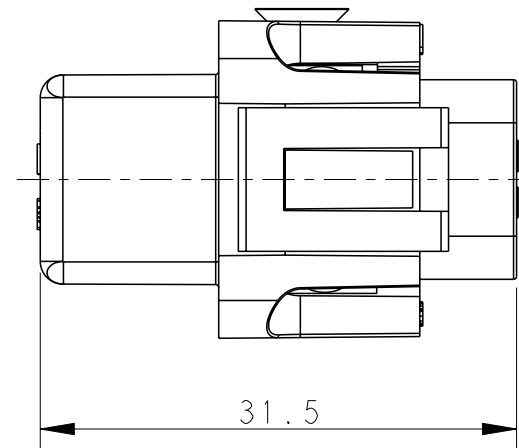
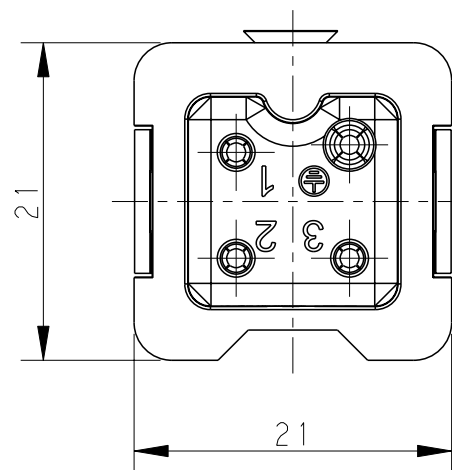
NOTES:

1. TECHNICAL CHARACTERISTICS:
 INSULATION MATERIAL: PC
 RATED VOLTAGE: 250 V
 RATED CURRENT: 10 A
 INSULATION RESISTANCE: $\geq 400M\Omega$
 RATED IMPULSE VOLTAGE: 4 KV
 POLLUTION DEGREE: 3
 FLAMMABILITY: UL94V-0
 MATING CYCLES: 500 CYCLES
 WIRE RANGE: 0.5-2.5 mm² (20-14 AWG)
 CONTACT FINISH: SILVER PLATED
 CONTACT TYPE: SCREW CONTACT

注释:

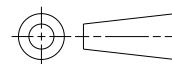
1. 技术参数:
 绝缘材料: PC
 额定电压: 250V
 额定电流: 10A
 绝缘电阻: $\geq 400M\Omega$
 额定脉冲电压: 4 KV
 污染等级: 3
 阻燃等级: UL94V-0
 插拔次数: 500 次
 接线范围: 0.5-2.5 mm² (20-14 AWG)
 端子表面处理: 镀银
 接线类型: 螺丝连接

TYPE-1, T2010032201-000, TE LOGO
 类型-1, T2010032201-000, TE LOGO



THIS DRAWING IS A CONTROLLED DOCUMENT.

DIMENSIONS: mm



TOLERANCES UNLESS OTHERWISE SPECIFIED:

0 PLC	±-
1 PLC	±-
2 PLC	±-
3 PLC	±-
4 PLC	±-
ANGLES	±-

MATERIAL: -
FINISH: -

DWN: 16DEC2014 DAVID WANG
 CHK: 16DEC2014 CHRIS WANG
 APVD: 16DEC2014 XU XIANG

PRODUCT SPEC: 108-137045
 APPLICATION SPEC: 114-137045

WEIGHT: -
Customer Drawing



TE Connectivity

NAME: HA-003-F

SIZE: A3 CAGE CODE: 00779 DRAWING NO: T2010032201000 RESTRICTED TO: -

SCALE: 2:1 SHEET: 1 OF 2 REV: C

THIS DRAWING IS UNPUBLISHED.

RELEASED FOR PUBLICATION

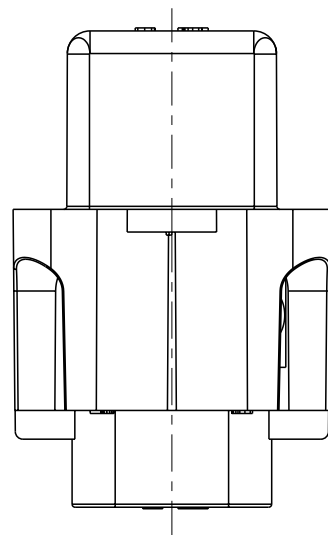
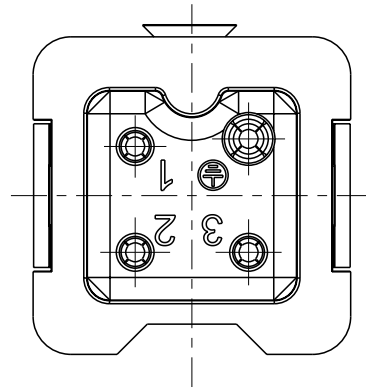
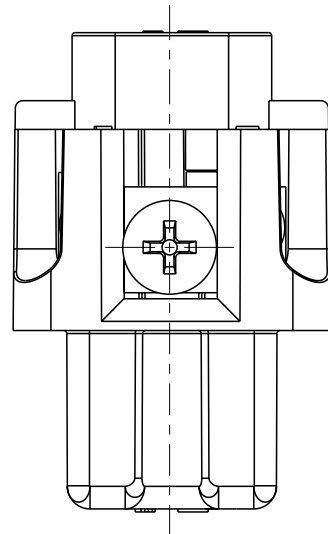
20

© COPYRIGHT 20 BY -

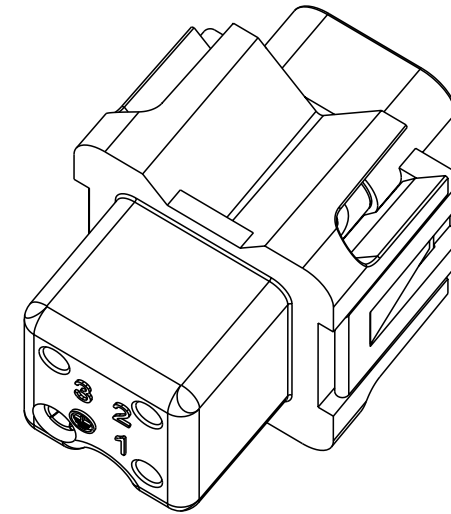
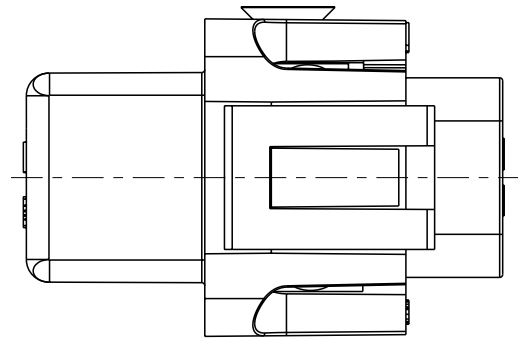
ALL RIGHTS RESERVED.

REVISIONS

P	LTR	DESCRIPTION	DATE	DWN	APVD
-	-	SEE SHEET 1	-	-	-



ALL DIMENSIONS ARE SAME AS TYPE 1,
EXCEPT THOSE DEFINED IN THIS TYPE.
除了在本类型中定义的尺寸外,其它尺寸同类型 |



TYPE-2, T2010032201-001, NO LOGO
类型-2, T2010032201-001, 无 LOGO

NOTE:
SEE SHEET 1

注释:
见页 1

T2010032201-001	HA-003-F	HA-003 FEMALE INSERT, NO LOGO HA-003母插, 无LOGO	TYPE-2 类型-2
T2010032201-000	HA-003-F	HA-003 FEMALE INSERT HA-003母插	TYPE-1 类型-1
PART NUMBER 料号	PART DESCRIPTION 描述		TYPE 类型

THIS DRAWING IS A CONTROLLED DOCUMENT.		DWN 16DEC2014 DAVID WANG				
DIMENSIONS: mm		CHK 16DEC2014 CHRIS WANG			NAME HA-003-F	
TOLERANCES UNLESS OTHERWISE SPECIFIED:		APVD 16DEC2014 XU XIANG				
0 PLC ±- 1 PLC ±- 2 PLC ±- 3 PLC ±- 4 PLC ±- ANGLES ±-		PRODUCT SPEC 108-137045				
MATERIAL	FINISH	APPLICATION SPEC 114-137045	SIZE	CAGE CODE	DRAWING NO	RESTRICTED TO
-	-	WEIGHT	A3	00779	©-T2010032201000	-
Customer Drawing			SCALE	SHEET	REV	
			2:1	2 OF 2	C	

printed on 18 Jun 2021 14:54 (China Standard Time) from TE236667

A

A

D

D

C

B