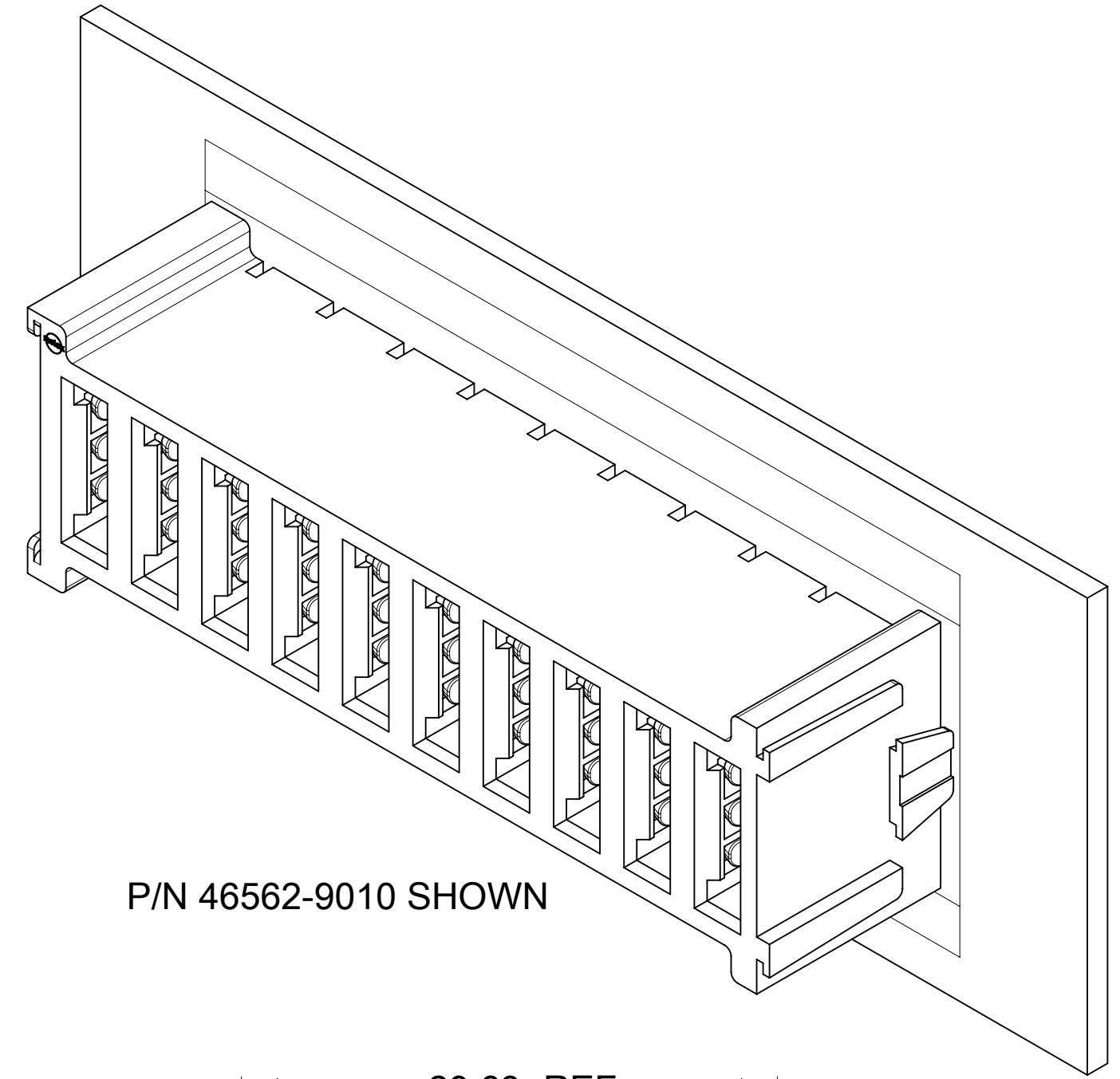
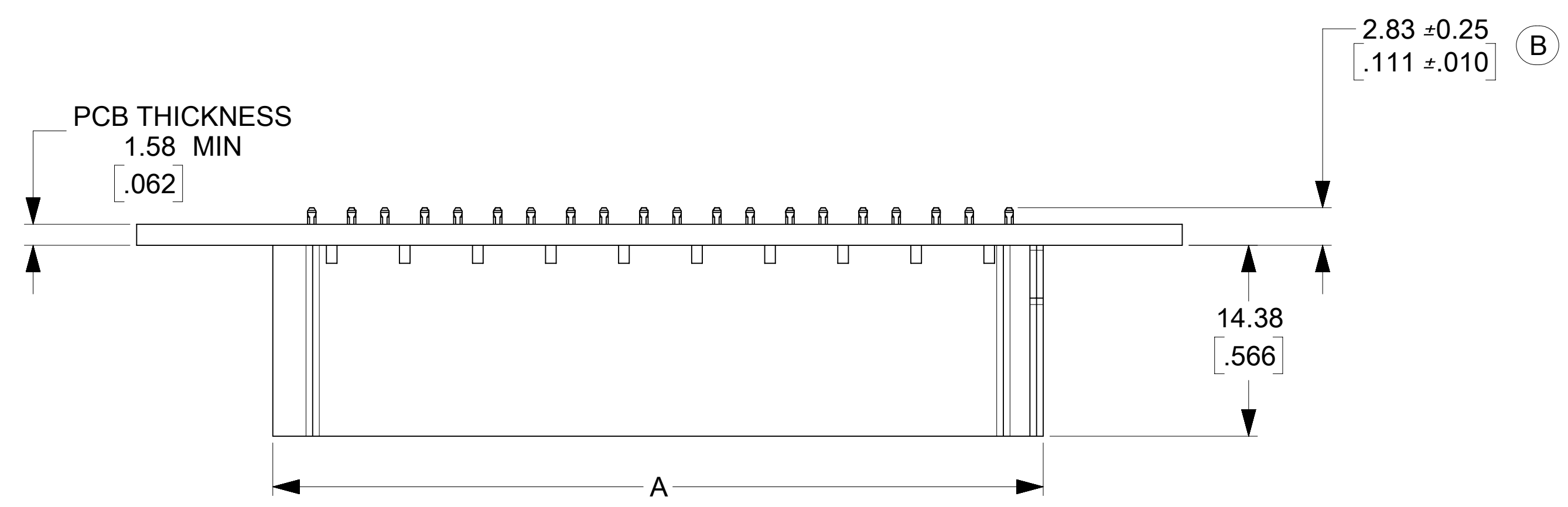


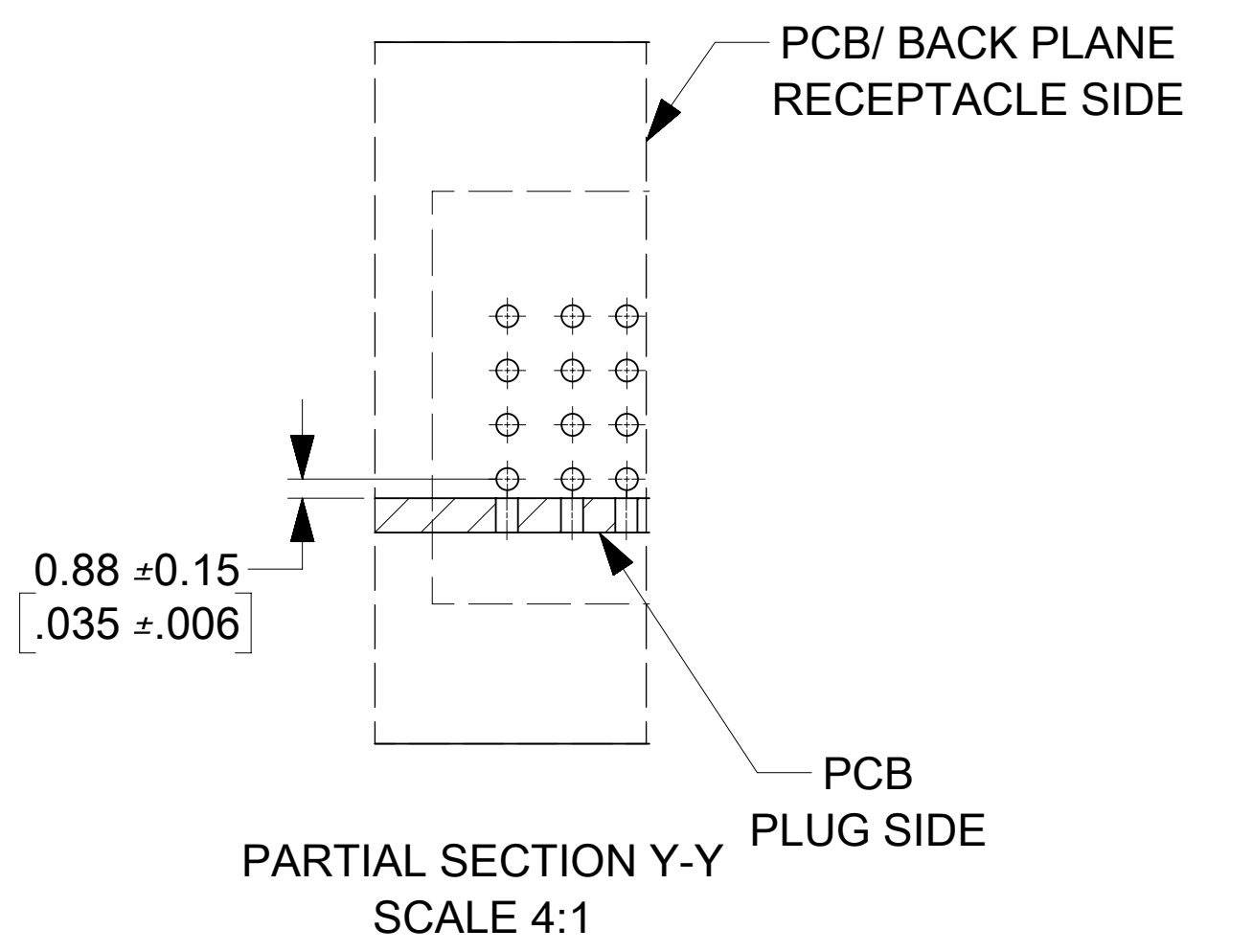
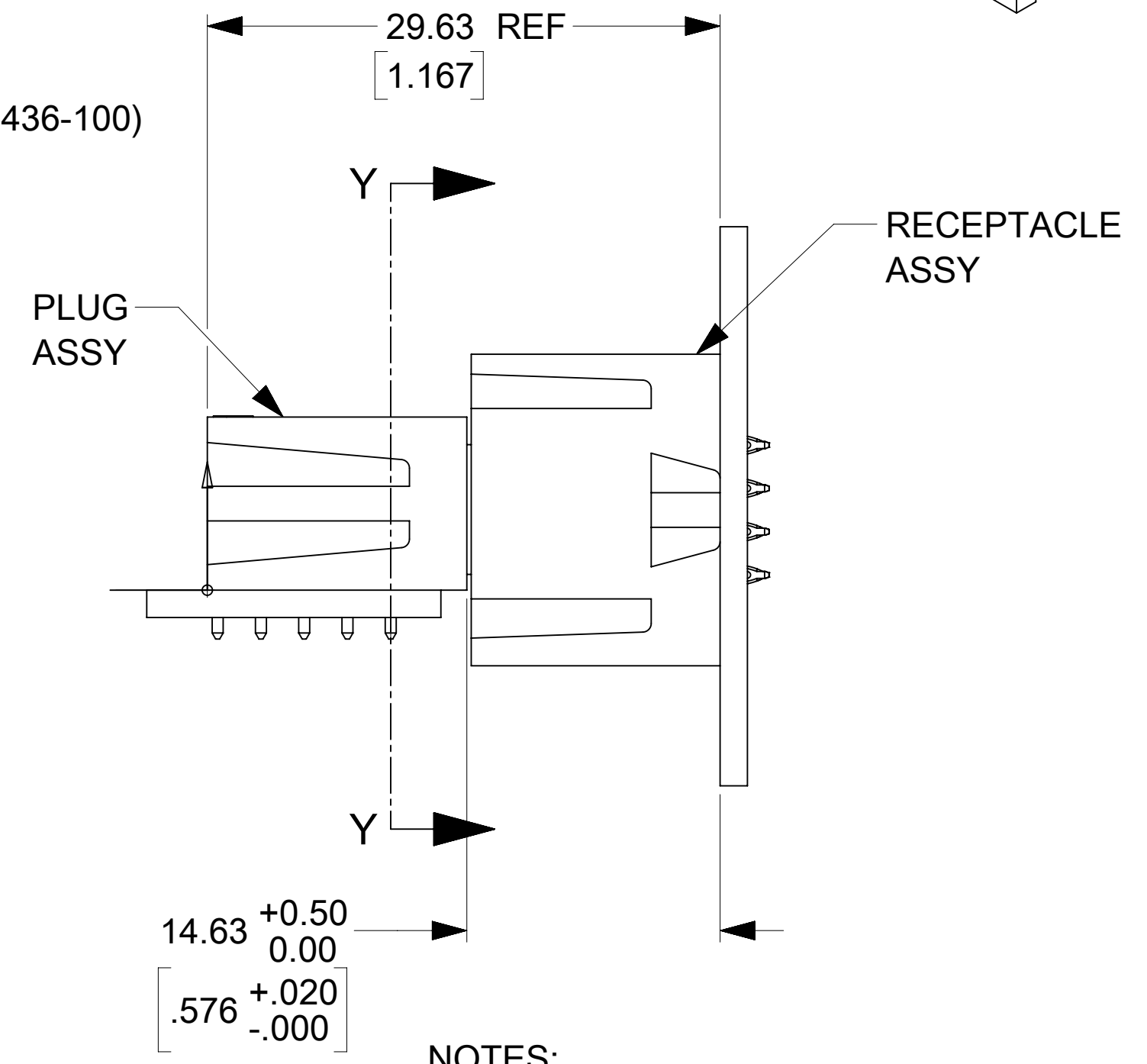
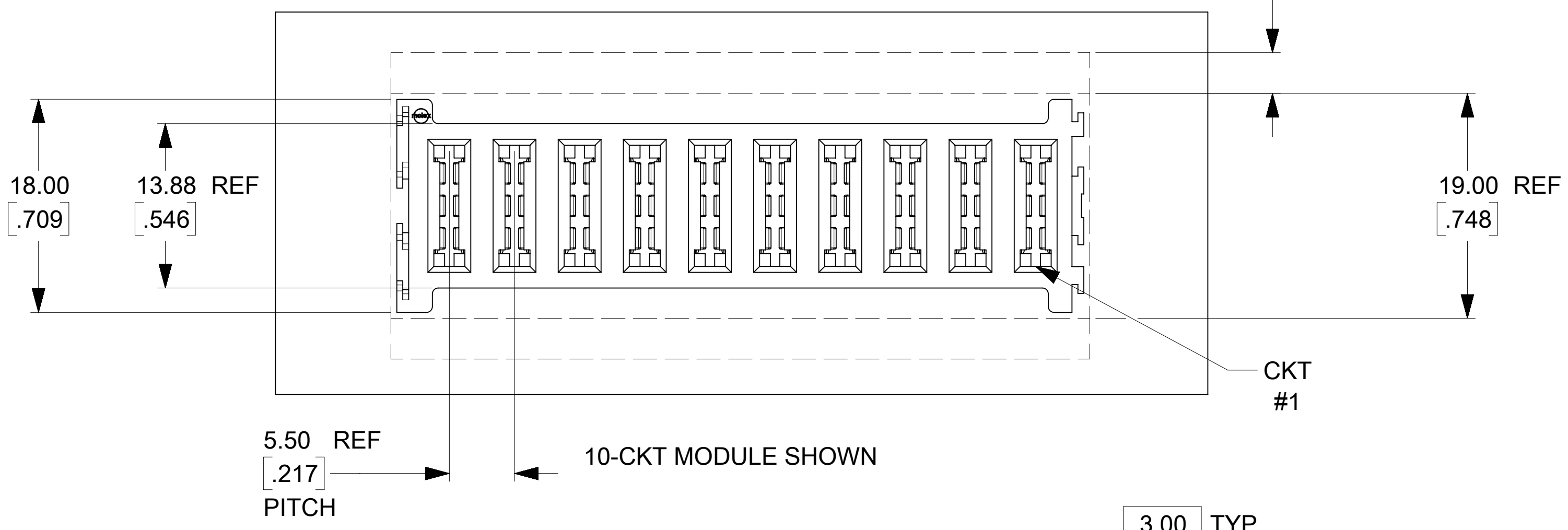
PCB THICKNESS
1.58 MIN
.062



PCB TAIL: COMPLIANT PIN 5.5 MM PITCH		
# CKT	PART NUMBER	DIM "A"
10	46562-9010	58.00/2.283
9	46562-9009	52.50/2.067
8	46562-9008	47.00/1.850
7	46562-9007	41.50/1.634
6	46562-9006	36.00/1.417
5	46562-9005	30.50/1.201
4	46562-9004	25.00/.984
3	46562-9003	19.50/.768
2	46562-9002	14.00/.551
1	46562-9001	8.50/.335

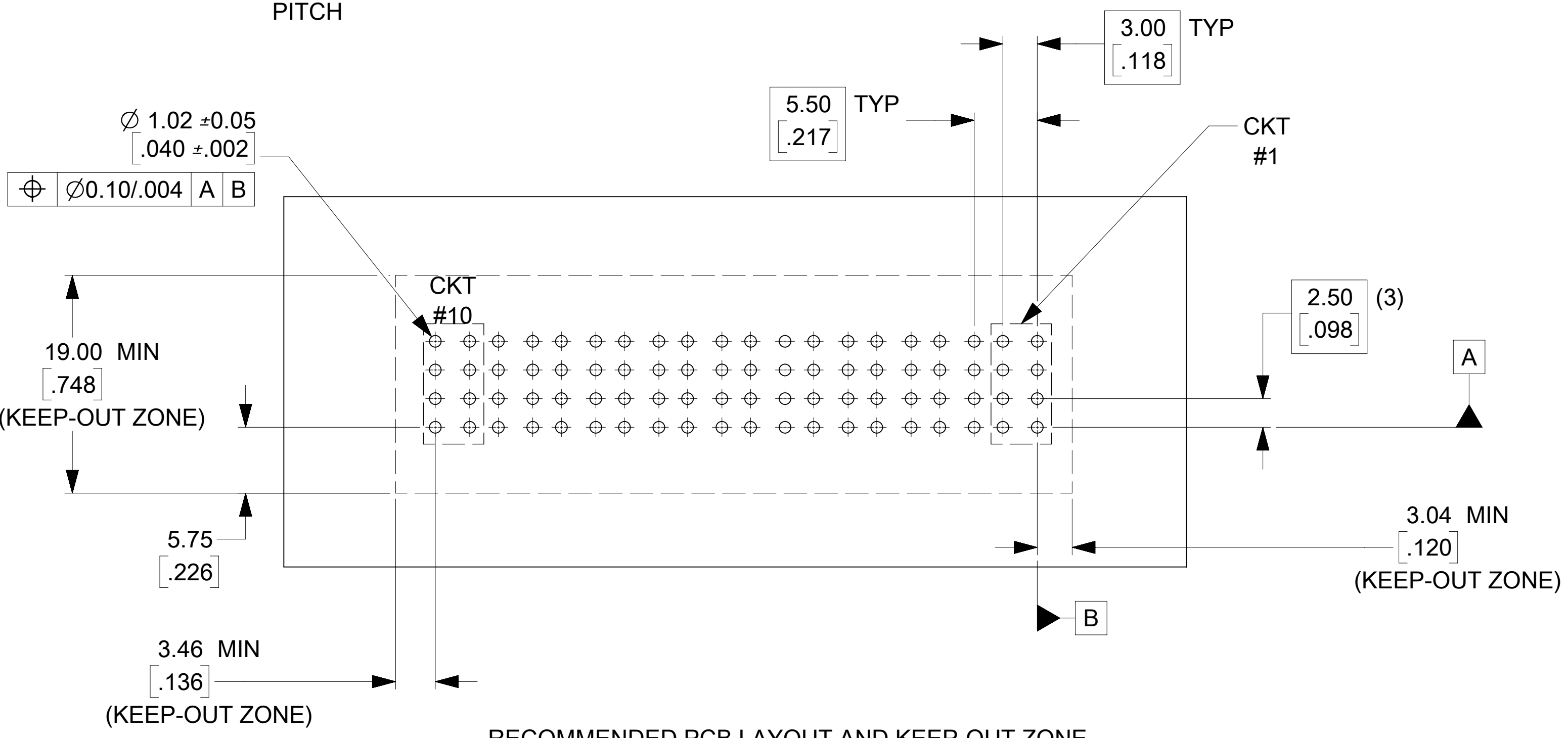
P/N 46562-9010 SHOWN

ALLOW EXTRA
3.44 MIN
.135
(REQUIRED FOR RE-WORK SEE AS-46436-100)



NOTES:

- MATERIAL:
-HOUSINGS: LCP, UL-94, V-0; COLOR: BLACK.
-TERMINALS: COPPER ALLOY.
-PLATING: 0.000127/.000050 NICKEL OVERALL WITH 0.00254/.000100 SELECTIVE TIN ON PRESS-FIT TAILS. AND 0.000762/.000030 SELECTIVE GOLD ON CONTACT AREA.
- PACKAGING ASSEMBLIES TO BE TRAY PACKED PER PACKAGING SPEC: PK-46562-001.
- PRODUCT SPEC: PS-46436-100.
- APPLICATION SPEC: AS-46436-100.
- ASSEMBLY MATES WITH PLUG SERIES 46437-; PLEASE CONTACT MOLEX FOR DETAILS.



RECOMMENDED PCB LAYOUT AND KEEP-OUT ZONE

THIS DRAWING CONTAINS INFORMATION THAT IS PROPRIETARY TO MOLEX ELECTRONIC TECHNOLOGIES, LLC AND SHOULD NOT BE USED WITHOUT WRITTEN PERMISSION			
DIMENSION UNITS MM/IN	SCALE 3:1	CURRENT REV DESC: TAIL LENGTH CORRECTD	
GENERAL TOLERANCES (UNLESS SPECIFIED)		EC NO: 621958	
	MM	INCH	
4 PLACES	±	±	DRWN: YPUTTUR 2019/07/29
3 PLACES	±	± 0.01	CHK'D: YVENKATESWAR 2019/08/06
2 PLACES	±	0.25 ± 0.01	APPR: HTHYAGARAJ 2019/09/27
1 PLACE	±	0.25 ±	INITIAL REVISION:
0 PLACES	±	±	DRWN: BKOSTIC 2007/07/14
ANGULAR TOL	±	0.5 °	APPR: APATEL 2008/06/30
DRAFT WHERE APPLICABLE MUST REMAIN WITHIN DIMENSIONS		THIRD ANGLE PROJECTION	DRAWING SERIES
			D-SIZE 46562
DOCUMENT NUMBER		DOC TYPE	DOC PART
SD-46562-9000		PSD	001
CUSTOMER		REVISION	
GENERAL MARKET		B	
MATERIAL NUMBER		SHEET NUMBER	
SEE CHART		1 OF 1	