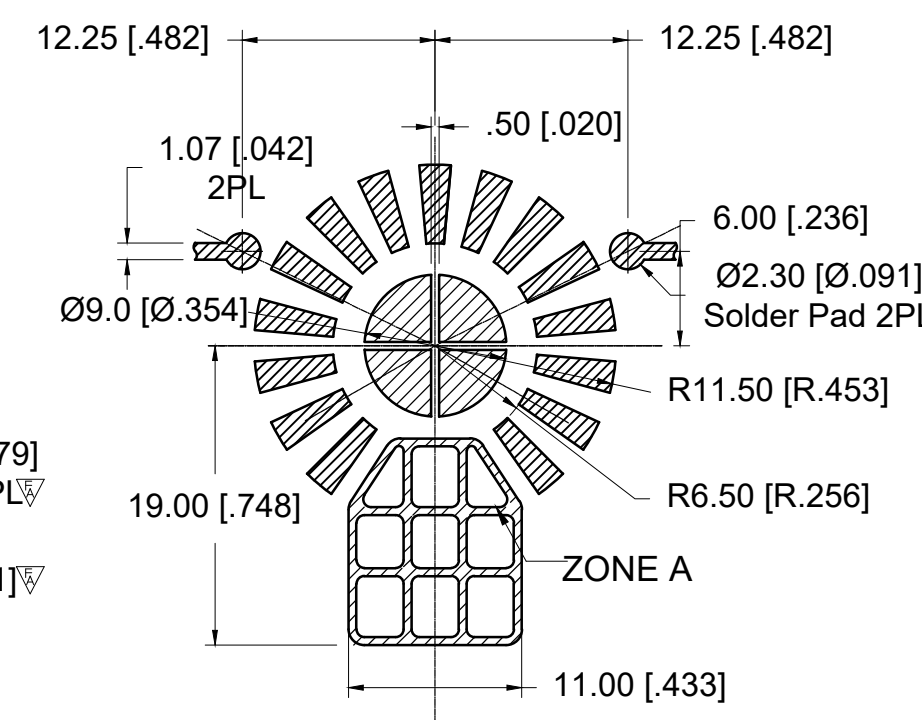


RECOMMENDED LAND PATTERN :
 Zone A must be attached to heat sink. Thermal conductivity of intermediate layers between Zone A and heat sink must be better than 0.1 W / [°C x mm].



PCB Material : RO 4350B , 20 mil THK

ELECTRICAL SPECIFICATIONS :
 Frequency range : 791 to 821 MHz
 Input power : 130 W
 Input power , peak: 1300 W
 Reflected power : 80 W
 Isolation (within frequency range, port 2 to 1) : 22 dB Min
 Return loss (Measured at port 1 and port 2) : 23 dB Min (0°C-115°C)
 (Measured at port 1 and port 2) : 20 dB Min (-40°C-0°C)
 Insertion loss (within frequency range, port 1 to 2) : 0.25 dB Max
 Intermodulation distortion, IM3(2 x 50 W) : -65 dBc Max
 IM5(2 x 50 W) : -79 dBc Max
 Harmonics: 2 x f (100W CW) : 0dBm Max
 3-4 x f (100W CW) : -10 dBm Max
 5 x f (100W CW) : -35dBm Max
 6-7 x f (100W CW) : -25 dBm Max
 Operating temperature range: -40°C to +115°C
 Storage temperature range : -40°C to +115°C
 Direction: CW

BODY: CARBON STEEL, SILVER PLATED
 RIGID PINS: COPPER, SILVER PLATED
 NOTES:
 1.STANDARD INPUT/OUTPUT IMPEDANCE 50 Ohm
 2.LEAD FREE, NO Nd MATERIAL, BeO FREE
 3.THE DIMENSION OF DATE MATRIX IS 7.6X7.6MM INFORMATION INCLUDING WORK ORDER NUMBER-SERIAL NUMBER-MATERIAL NUMBER
 4.THIS PART COMPLIES WITH ALL RoHS REQUIREMENTS

ENG PN#: 801-079-082-WB040

FUNCTIONAL SYMBOLS	THIS DRAWING CONTAINS INFORMATION THAT IS PROPRIETARY TO MOLEX ELECTRONIC TECHNOLOGIES, LLC AND SHOULD NOT BE USED WITHOUT WRITTEN PERMISSION		CURRENT REV DESC:		molex
	DIMENSION UNITS	SCALE	RELEASE TO PROD		
▽=0	MM	1:1			SMSJ ISOLATOR/791~821MHZ/CW
▽=0	GENERAL TOLERANCES (UNLESS SPECIFIED)				
▽=0		mm	INCH	EC NO: 696580	RESTRICTED PRODUCT CUSTOMER DRAWING
	4 PLACES	±0.005	±----	DRWN: SREN05 2022/02/21	
	3 PLACES	±0.025	±----	CHK'D: JLI252 2022/02/23	DOCUMENT NUMBER
	2 PLACES	±0.13	±----	APPR: HWANG186 2022/03/01	
DIVISIONAL SYMBOLS	1 PLACE	±0.25	±----	INITIAL REVISION:	735912097
	0 PLACES	±0.4	±----	DRWN: SREN05 2021/12/08	
	ANGULAR TOL ± 1.5 °		APPR: HWANG186 2022/03/01		DOC TYPE
	DRAFT WHERE APPLICABLE MUST REMAIN WITHIN DIMENSIONS		THIRD ANGLE PROJECTION	DRAWING	DOC PART
				A3-SIZE	REVISION
				SERIES	
				MATERIAL NUMBER	
				CUSTOMER	
					SHEET NUMBER
				73591	1 OF 1
				0735912097	
				CUSTOM PART	

DOCUMENT STATUS	P1	RELEASE DATE	2022/03/01	06:07:40
-----------------	----	--------------	------------	----------